

FAN TRAYS

UL and cUL Listed



Model Number	Rack Units	Dimensions (in)	Voltage	Fans	Total CFM
AC FAN TRAYS					
OAT300	1	19 x 19 x 1.75	115VAC	3	312
OAT300S	1	19 x 14 x 1.75	115VAC	3	312
OAT300S-7	1	19 x 7 x 1.75	115VAC	3	312
OAT600	1	19 x 19 x 1.75	115VAC	6	624
OAT600S	1	19 x 14 x 1.75	115VAC	6	624
OAT900	1	19 x 19 x 1.75	115VAC	9	936
OAT302	1	19 x 19 x 1.75	230VAC	3	312
OAT302S	1	19 x 14 x 1.75	230VAC	3	312
OAT302S-7	1	19 x 7 x 1.75	230VAC	3	312
OAT602	1	19 x 19 x 1.75	230VAC	6	624
OAT602S	1	19 x 14 x 1.75	230VAC	6	624
OAT902	1	19 x 19 x 1.75	230VAC	9	936
OAT300-A	*	16.5 x 5.25 x 1.75	115VAC	3	312
OAT302-A	*	16.5 x 5.25 x 1.75	230VAC	3	312
EC FAN TRAYS					
OET305	1	19 x 19 x 1.75	80~265VAC	3	401
OET305S	1	19 x 14 x 1.75	80~265VAC	3	401
OET305S-7	1	19 x 7 x 1.75	80~265VAC	3	401
OET305-A	*	16.5 x 5.25 x 1.75	80~265VAC	3	401
OET605	1	19 x 19 x 1.75	80~265VAC	6	803
OET605S	1	19 x 14 x 1.75	80~265VAC	6	803
OET605S-ER	1	19 x 14 x 1.75	80~265VAC	6	803
OET905	1	19 x 19 x 1.75	80~265VAC	9	1,204
DC FAN TRAYS					
ODT301	1	19 x 19 x 1.75	12VDC	3	372.3
ODT301S	1	19 x 14 x 1.75	12VDC	3	372.3
ODT301-A	*	16.5 x 5.25 x 1.75	12VDC	3	372.3
ODT601	1	19 x 19 x 1.75	12VDC	6	744.6
ODT601S	1	19 x 14 x 1.75	12VDC	6	744.6
ODT901	1	19 x 19 x 1.75	12VDC	9	1,116.9
ODT303	1	19 x 19 x 1.75	24VDC	3	372.3
ODT303S	1	19 x 14 x 1.75	24VDC	3	372.3
ODT303-A	*	16.5 x 5.25 x 1.75	24VDC	3	372.3
ODT603	1	19 x 19 x 1.75	24VDC	6	744.6
ODT603S	1	19 x 14 x 1.75	24VDC	6	744.6
ODT903	1	19 x 19 x 1.75	24VDC	9	1,116.9
ODT304	1	19 x 19 x 1.75	48VDC	3	372.3
ODT304S	1	19 x 14 x 1.75	48VDC	3	372.3
ODT304-A	*	16.5 x 5.25 x 1.75	48VDC	3	372.3
ODT604	1	19 x 19 x 1.75	48VDC	6	744.6
ODT604S	1	19 x 14 x 1.75	48VDC	6	744.6
ODT904	1	19 x 19 x 1.75	48VDC	9	1,116.9

* 3-Fan Additional Expansion Module

AC trays use Orion OA109AP-xx-1TB fans

EC trays use Orion OA109EC-UR-1XC fans

DC trays use Orion OD1238-xxHB fans

Other speeds available as custom build options.



Standard Tray

D = 19" W = 19" H = 1.75"
Includes 6' cord with NEMA 5-15P plug. IEC320 optional.



Shortened Rail Trays

Part numbers with "S" use shortened 14" side rails. Part numbers with "S-7" use shortened 7" rails. These models cannot be expanded to a 9 Fan configuration. Part numbers with "ST" cannot be expanded after initial build. Optional lighted on/off rocker with IEC320, C14-type connector on back.



Expansion Modules

For maximum flexibility, you can add or remove fan modules quickly and easily as your cooling needs change.

FAN TRAYS



Fan Tray Specifications

Frame

Heavy duty steel construction with extruded aluminum side rails. Black color is standard, Gray available by special order.

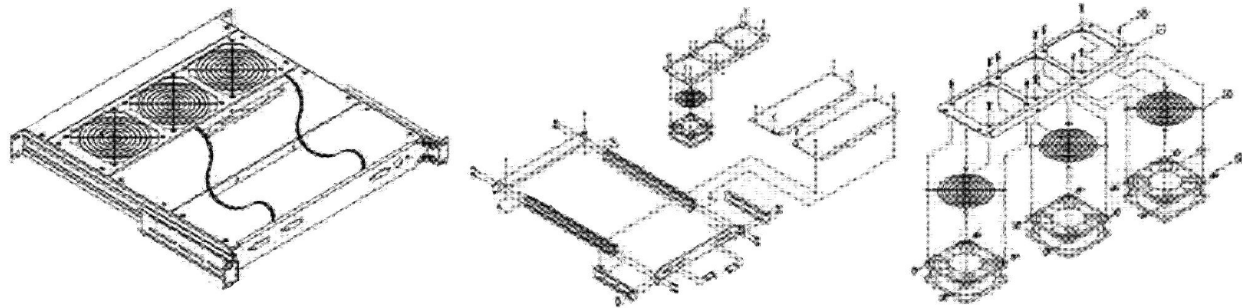
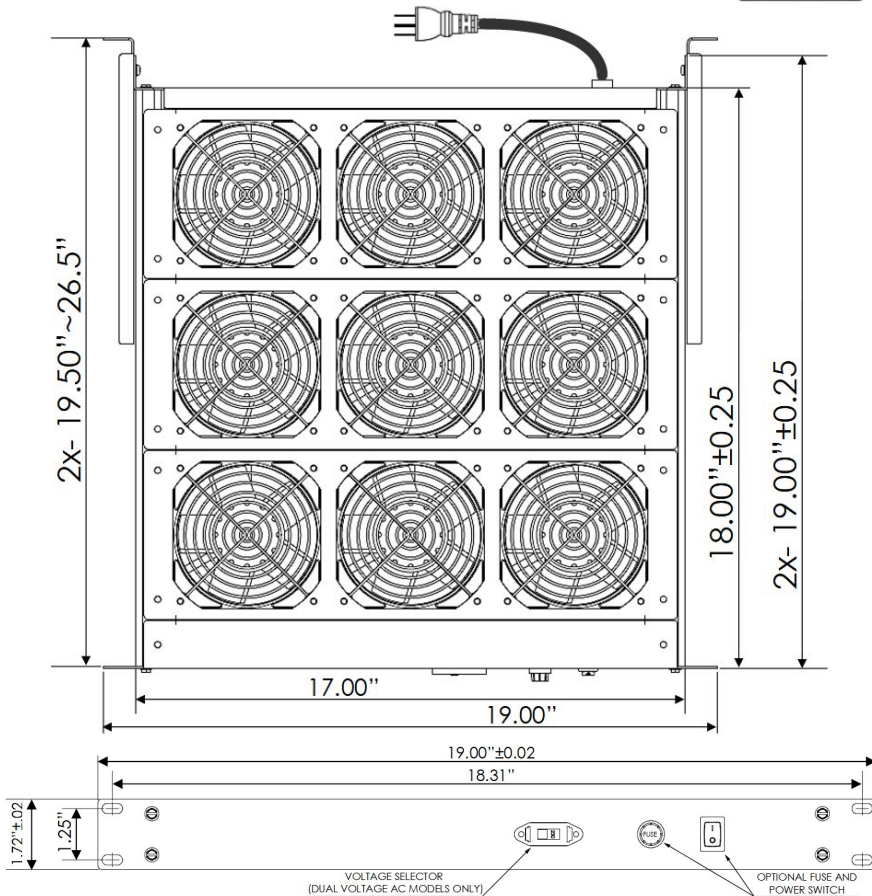
Hardware

Compatible with EIA-310-D standard rack mounting screws and associated hardware. Complies with EIA-310-D specifications.

Configurations

Standard trays have 3, 6, or 9 fans installed. Our ADD-A-MODULE design allows the user to easily increase or decrease the number of fans in 3-fan increments. Trays with "S" in the part number are not user-expandable.

Standard fan trays are populated with high speed, ball bearing fans. We can substitute virtually any 120mm AC, DC, or EC fan for your special project.



Power Connection

AC and EC fan trays have standard 115V or 230 VAC Power cords or inlets. DC fan trays come with screw terminals for the power connection.

Options

Ultra-short 3-fan trays available. Lighted On/Off rocker switches. Standard rocker switches with protection fuses. Fan monitor outputs and alarm notification lights. Fan speeds can be customized for greater airflow or lower noise.

Custom Trays

Orion Fans fan trays are available in dozens of stock configurations. If you cannot find what you are looking for, contact us. We can design and build your trays from scratch or we can help you come up with design solutions.