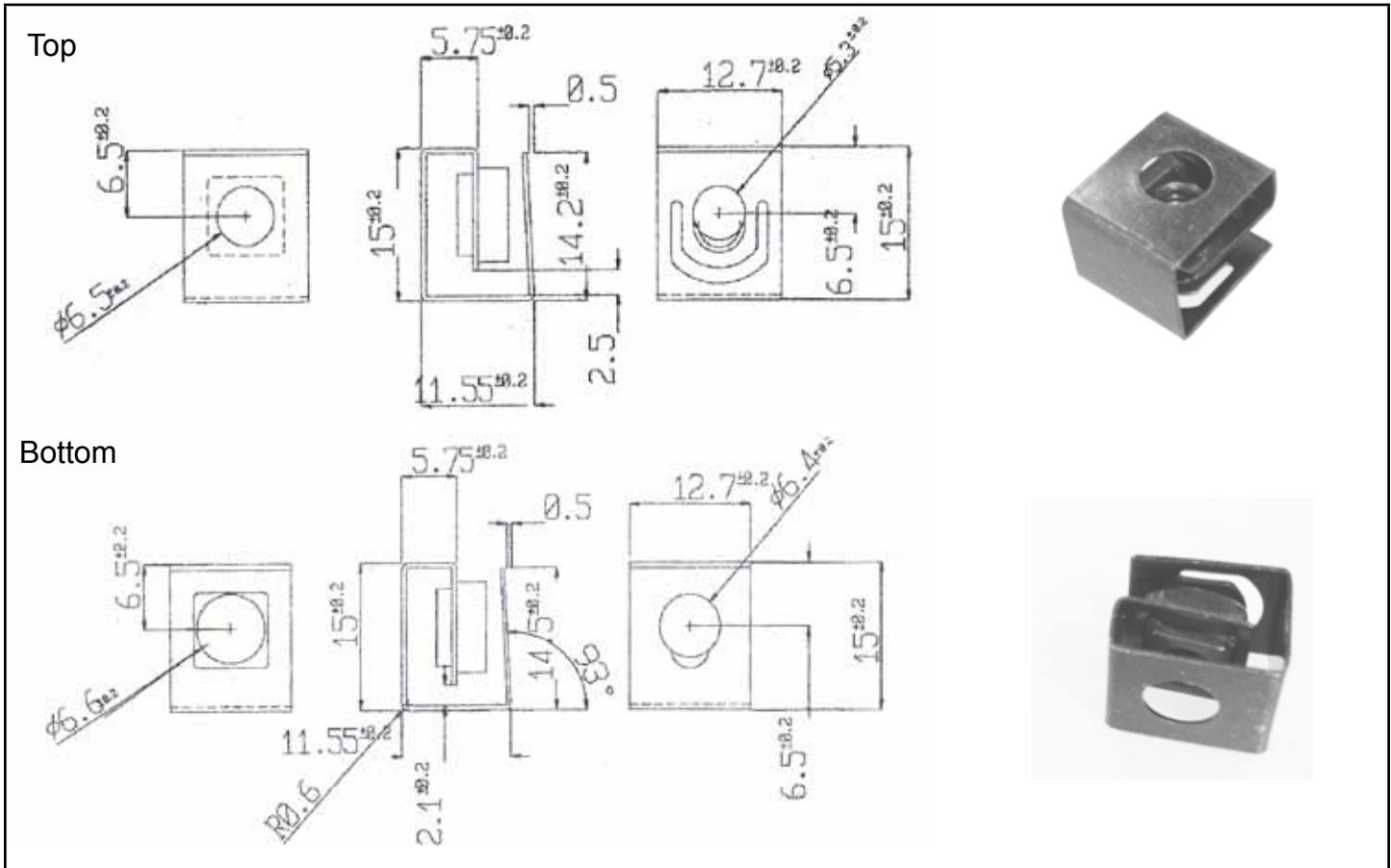




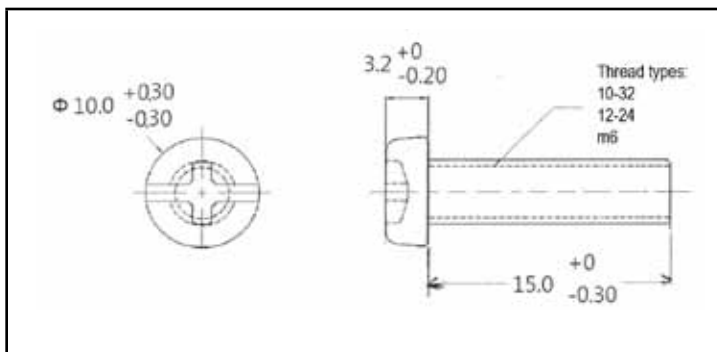
Dimensions = mm



Orion Cage Nuts for round holes

Part Nos:

OCN-1032RH* (10-32 thread), OCN-1224RH* (12-24 thread), OCN-M6RH* (M6 thread)



Orion Cage Nut Screw

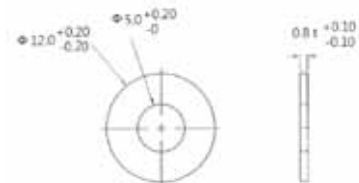
Part Nos:

OCN-1032SCW* (10-32 thread)
 OCN-1224SCW* (12-24 thread)
 OCN-M6SCW* (M6 thread)
 OCN-1032WS* (Orion Cage Nut Washer)
 OCN-1224WS* (Orion Cage Nut Washer)

* Add "PK" to P/N for 25 piece packs

Orion Cage Nuts & Screw material:
 Black Zinc plated steel

Orion Cage Nut Washer - PVC 0.8 x 5 x 12
 Sold in hardware packs only:
 OCN1032RHHDWPK
 OCN1224RHHDWPK
 OCNM6RHHDWPK



Hardware sold separately