

## Data sheet

### OpDAT Wall-mounted distributor S 6xLC-Q APC OS2 VIK

Page 1/5

P/N

1503207A06-E

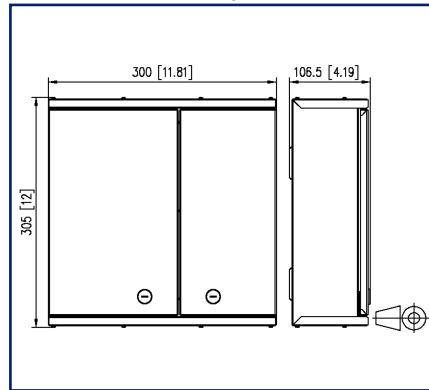
EAN 4251394672939

2023/08/04

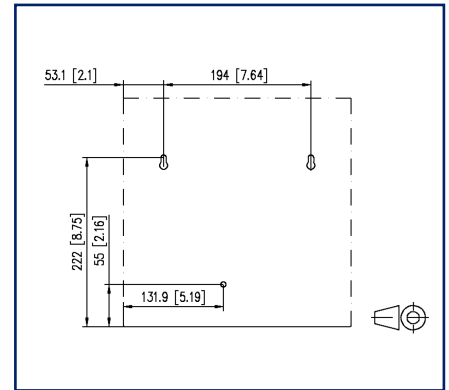
## Illustrations



Dimensional drawing



Drill pattern



See enlarged drawings at the end of document

## Product specification

- distributor for universal use in floor cabling or as a building distribution point in the equipment room
- equipped with LC-Q adapters
- unused openings are closed by blind plugs
- wall-mount housing with two lockable swing doors, two different locks to separate network and building cabling
- easy, space saving wall mounting
- easy access possibilities and a secure routing of the VIKs
- four cable infeeds (scope of supply): 1x for VIKs with universal cables, 1x for M20/PG16, 2x for patch cords
- variants: size S: 305x300x107 mm or size M: 405x400x107 mm

### Technical Data

#### General Data

Fields of application	structured building cabling Distributed building services
Design	Wall-mounted distributor
Mounting style	AP
Transmission technology	Fiber optic
Port numbering	yes
Color	gray
Dimensions	
Dimension (L x W x H)	106.5 mm x 300 mm x 305 mm
Dimension (L x W x H)	4.193 in. x 11.811 in. x 12.008 in.
Fiber class	OS2
Mode type of the fiber	Singlemode
Shape	APC (Angled Physical Contact)
Labeling option	label strip / labeling strip

#### Connections/interfaces

Connector technology interface 1	LC-Q Couplers
Connector technology interface 2	LC-Q Couplers
Number of ports interface 1	12
Number of ports interface 2	12
Number of equipped ports interface 1	6
Number of ports interface 2 equipped	6
Number of ports with dust protection interface 1	6
Number of ports with dust protection interface 2	6
Number of blind	6
Cable access/outlet	from top or bottom

#### Mechanical data

Cut-out	SC-D, LC-Q, ST-D
Connector type	quad
Life - Number of mating cycles	min. 500
strain relief	optional

# P | Cabling

Data sheet

Page 3/5

## OpDAT Wall-mounted distributor S 6xLC-Q APC OS2 VIK

P/N

1503207A06-E

EAN 4251394672939

2023/08/04

### Technical Data

#### Materials and material properties

Material - Housing	sheet steel
Material - Housing finish	powder-coated
Material - Front cover	sheet steel
Material - Front cover finish	powder-coated
Material - Sleeve	ceramic, slotted
Material - Coupler housing	Plastics

#### Classifications

ETIM 7.0	EC001130
ETIM 8.0	EC001130
ETIM 9.0	EC001130

#### Packing details

Type of packaging	1 pc(s) / box
-------------------	---------------



# P | Cabling

Data sheet

Page 4/5

## OpDAT Wall-mounted distributor S 6xLC-Q APC OS2 VIK

P/N

1503207A06-E

EAN 4251394672939

2023/08/04

### Accessories

P/N	Designation
15032Z001-E	Cable infeed for 2xM20 for OpDAT Wall-mounted distributor S
15032Z003-E	Cable infeed for 1xM25 for OpDAT Wall-mounted distributor S
15032Z004-E	Cable infeed for two mounting plates VIK for OpDAT Wall-mounted distributor
15032Z005-E	Cable infeed for patch cords for OpDAT Wall-mounted distributor S
15032Z006-E	Cable infeed for single cable for OpDAT Wall-mounted distributor S
15032Z089-E	OpDAT WV rotary bolt
150800118-E	One-Click™- Cleaner Mini LC/MU
15081106-E	OpDAT mounting plate VIK
150811M20-E	Cable gland M20 (Clamping range 7.0 to 12.0 mm)
150811M25-E	Cable gland M25 (Clamping range 10.0 to 16.0 mm)

# P | Cabling

Data sheet

Page 5/5

## OpDAT Wall-mounted distributor S 6xLC-Q APC OS2 VIK

P/N

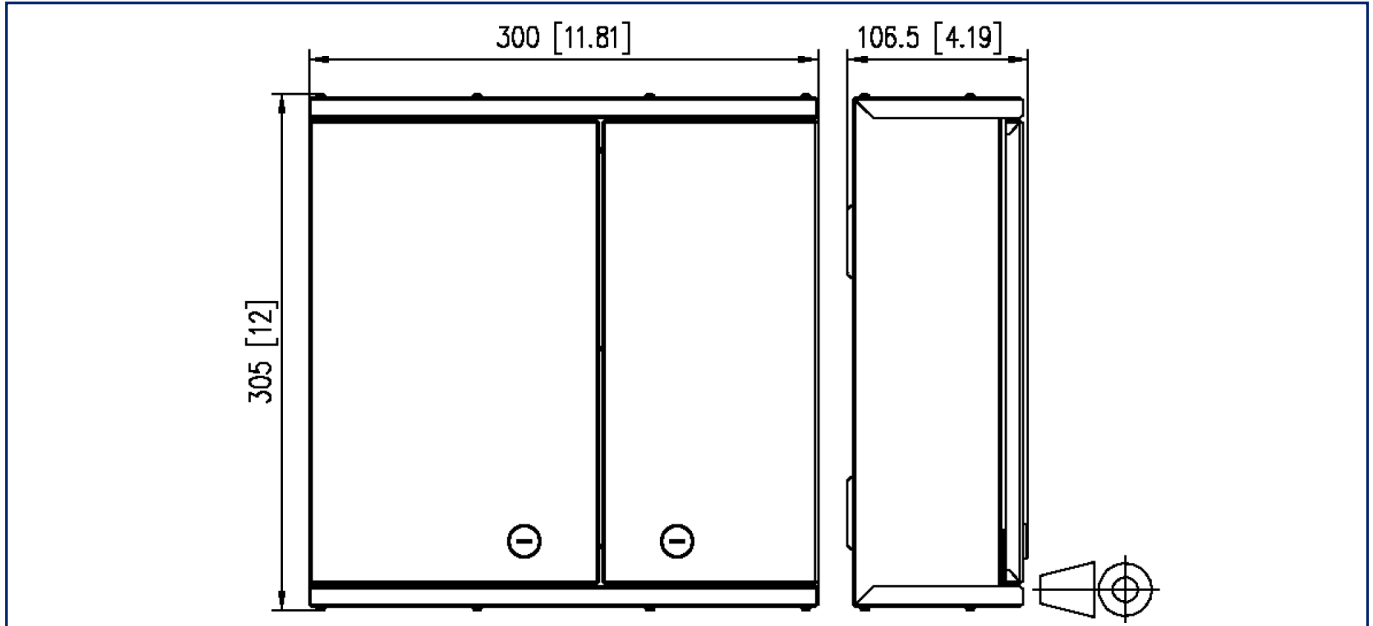
1503207A06-E

EAN 4251394672939

2023/08/04

### Illustrations

Dimensional drawing



Drill pattern

