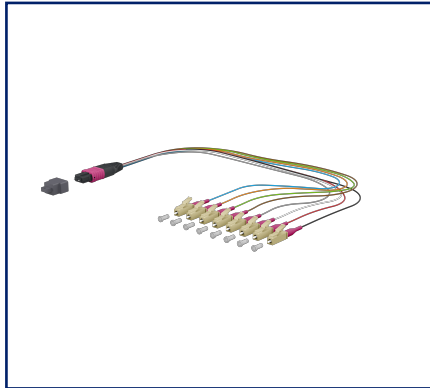


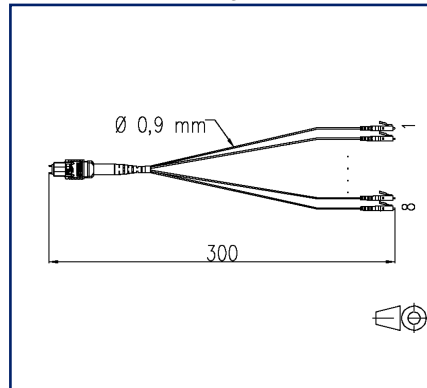
## Data sheet

### OpDAT Ader-Fanout MTP-M/8xLC-S OM4 0.3 m

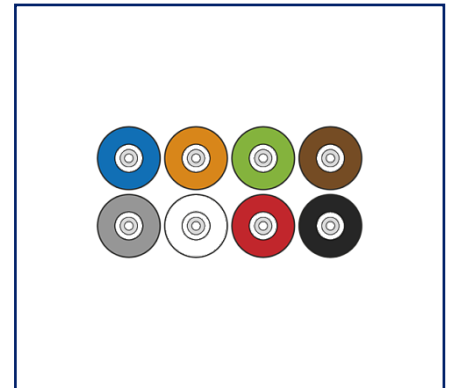
## Illustrations



Dimensional drawing



Prinzbild



See enlarged drawings at the end of document

## Product specification

- Wire fanout with 8 OM4 fibres, assembled with one MPO/MTP® connector and 8 LC simplex connectors.
- Male connector (with pins) as standard. Variants with female connector (without pins) are possible.
- available in assignment variants polarity A
- suitable for transmissions of e.g. 100 Gbit/s (depending on transceiver technology)
- wire diameter Ø 0.9 mm, color-coded according to TIA/EIA 598
- Fibre type: Bend insensitive multimode fibre, G50/125 µm, OM4 (IEC 11801), IEC 60793-2-10 A1a.3, ITU-T G.651.1.
- 100 % tested for insertion loss, return loss and end face geometry
- all patch cords are provided with serial number, barcode and measurement protocol
- all available variants can be created with the MTP® configurator
- MTP® is a registered trademark of US Conec Ltd., USA



# P | Cabling

Data sheet

Page 2/4

## OpDAT Ader-Fanout MTP-M/8xLC-S OM4 0.3 m

P/N

151S48MJO003A

EAN 4251394659398

2023/07/10

### Technical Data

#### General Data

Fields of application	data center structured building cabling
Design	Wire Fanout
Transmission technology	Fiber optic
Color	violet
Color coding fiber/ wire(s)	EIA/TIA 598
Mode type of the fiber	Multimode
Fiber class	OM4
Cable Type	Wire Fanout
Number of cables/ buffered fibers	8
Fiber construction	50/125 µm
Cable length (m)	0.3 m

#### Connections/interfaces

Connector technology interface 1	MPO/MTP® Pol.A
Connector technology interface 2	LC
Core-/ Fiber cladding diameter	900

#### Optical characteristics

Insertion loss	max. 0,35 dB
Return loss	min. 35 dB

#### Materials and material properties

RoHS	compliant
------	-----------

#### Standards/Regulations

Generic cabling systems	
General requirements	ISO/IEC 11801 cat. OM4
Fibre optic connector interfaces	IEC 61754-7

#### Classifications

ETIM 7.0	EC000748
ETIM 8.0	EC000748
ETIM 9.0	EC000748

# P | Cabling

Data sheet

Page 3/4

**OpDAT Ader-Fanout MTP-M/8xLC-S OM4 0.3 m**

P/N

151S48MJO003A

EAN 4251394659398

2023/07/10

## Technical Data

### Packing details

Type of packaging	1 pc(s) / plastic bag
-------------------	-----------------------

# P | Cabling

Data sheet

Page 4/4

## OpDAT Ader-Fanout MTP-M/8xLC-S OM4 0.3 m

P/N

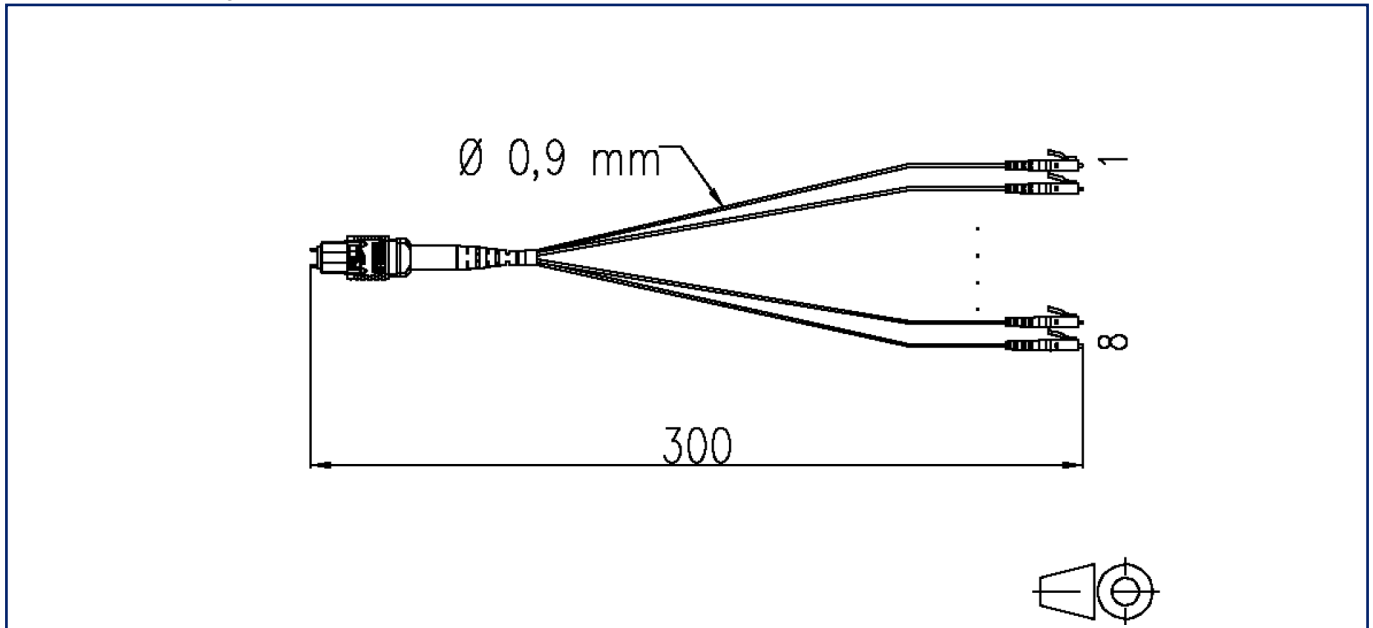
151S48MJO03A

EAN 4251394659398

2023/07/10

### Illustrations

Dimensional drawing



Prinzipbild

