

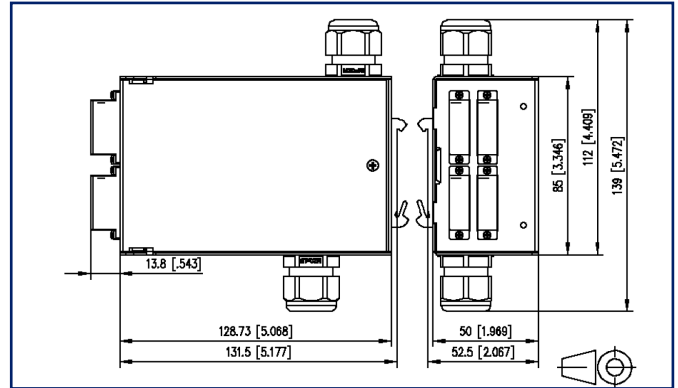
## Data sheet

### OpDAT REG K splice 2xLC-Q OM3 with crimp splice holder

## Illustrations



Dimensional drawing



See enlarged drawings at the end of document

## Product specification

- Very compact splice distributor for TH35 mounting rail for up to 8 fiber optic plug connections
- for splicing installation cables, e.g. universal cables
- equipped with fiber optic adapters and pigtails
- Adapter types: SC-Duplex, ST-Duplex, LC-Quad
- different installation variants on the mounting rail are possible
- Splice tray with crimp or shrink splice holder
- Cable feed from above or below
- Cable entry M20 with strain relief included in delivery
- Housing (W x H x D): 50 x 85 x 130 mm
- Variants: equipped with 2 adapters or 4 adapters



# P | Cabling

Data sheet

Page 2/5

## OpDAT REG K splice 2xLC-Q OM3 with crimp splice holder

P/N

15024K57802-E

EAN 4251394671093

2023/06/29

### Technical Data

#### General Data

Fields of application	structured building cabling office areas data center
Mechanical measurement according to MICE	M1
Ingress measurement according to MICE	I1
Climatic measurement according to MICE	C1
Electromagnetic measurement according to MICE	E3
Design	Splice distributor
Mounting style	Standard rail TH35
Transmission technology	Fiber optic
Color	gray
Dimensions	
Dimension (L x W x H)	145.3 mm x 139 mm x 50 mm
Dimension (L x W x H)	5.72 in. x 5.472 in. x 1.969 in.
Cable Type	pigtail(s)
Fiber class	OM3
Mode type of the fiber	Multimode
Shape	PC (Physical Contact)
Fiber construction	50/125 µm

#### Connections/interfaces

Connector technology interface 1	LC-Q Couplers
Connector technology interface 2	LC-Q Couplers
Number of ports interface 1	2
Number of ports interface 2	2
Number of equipped ports interface 1	2
Number of ports interface 2 equipped	2
Number of ports with dust protection interface 1	2
Number of ports with dust protection interface 2	2
Number of blind	2
Semi-tight buffered fiber pigtail length	2 m
Semi-tight buffered fiber pigtail diameter	900 µm
Cable access/outlet	from top or bottom



### Technical Data

#### Optical characteristics

Insertion loss	max. 0,4 dB
Return loss	min. 35 dB

#### Mechanical data

Cut-out	SC-D, LC-Q, ST-D
Connector type	duplex
Life - Number of mating cycles	min. 500
strain relief	M gland

#### Materials and material properties

Material - Housing	sheet steel
Material - Housing finish	powder-coated
Material - Sleeve	ceramic, slotted
Material - Coupler housing	Plastics
Halogen free	yes
RoHS	compliant

#### Standards/Regulations

FO connector interfaces	IEC 61754-20
Optical fibers: Product specifications	
Sectional specification for category A1 multimode fibres	ISO/IEC 60793-2-10 (A1a.2)

#### Classifications

ETIM 7.0	EC001130
ETIM 8.0	EC001130
ETIM 9.0	EC001130

#### Packing details

Type of packaging	1 pc(s) / plastic bag
-------------------	-----------------------

# P | Cabling

Data sheet

Page 4/5

## OpDAT REG K splice 2xLC-Q OM3 with crimp splice holder

P/N

15024K57802-E

EAN 4251394671093

2023/06/29

### Accessories

P/N	Designation
150240M20Z-E	OpDAT REG strain relief M20

© 2023 METZ CONNECT - Technische Änderungen vorbehalten! Subject to modifications! Sous réserve de modifications techniques!



**Illustrations**

Dimensional drawing

