

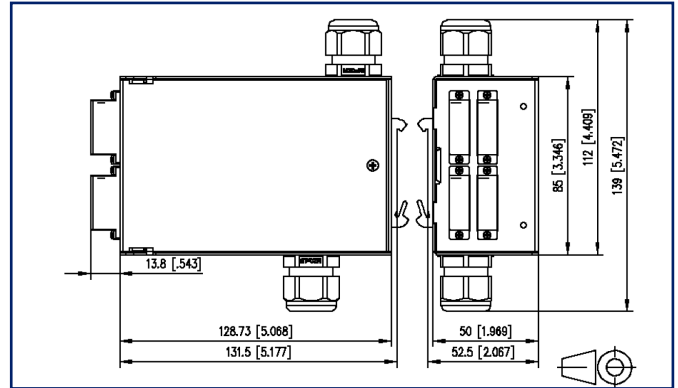
Data sheet

OpDAT REG K VIK 4xLC-Q OM3

Illustrations



Dimensional drawing



See enlarged drawings at the end of document

Product specification

- very compact patch distributor for TH35 mounting rail
- prepared for the installation of pre-assembled installation cables (OpDAT VIK)
- equipped with LC-Q adapters
- when using 4 LC-Quad couplings, the use of VIKs with mini-breakout cables is recommended
- different mounting variants on the mounting rail are possible
- cable feed from above or below
- cable entry M20 included in delivery
- housing (W x H x D): 50 x 85 x 130 mm



P | Cabling

Data sheet

Page 2/5

OpDAT REG K VIK 4xLC-Q OM3

P/N

15024K07804-E

EAN 4251394671031

2023/06/29

Technical Data

General Data

Fields of application	structured building cabling office areas data center
Mechanical measurement according to MICE	M1
Ingress measurement according to MICE	I1
Climatic measurement according to MICE	C1
Electromagnetic measurement according to MICE	E3
Design	Splice distributor
Mounting style	Standard rail TH35
Transmission technology	Fiber optic
Color	gray
Dimensions	
Dimension (L x W x H)	145.3 mm x 139 mm x 50 mm
Dimension (L x W x H)	5.72 in. x 5.472 in. x 1.969 in.
Fiber class	OM3
Mode type of the fiber	Multimode

Connections/interfaces

Connector technology interface 1	LC-Q Couplers
Connector technology interface 2	LC-Q Couplers
Number of ports interface 1	4
Number of ports interface 2	4
Number of equipped ports interface 1	2
Number of ports interface 2 equipped	2
Number of ports with dust protection interface 1	2
Number of ports with dust protection interface 2	2
Number of blind	2
Cable access/outlet	from top or bottom

Mechanical data

Cut-out	SC-D, LC-Q, ST-D
Connector type	duplex
Life - Number of mating cycles	min. 500
strain relief	M gland



P | Cabling

Data sheet

Page 3/5

OpDAT REG K VIK 4xLC-Q OM3

P/N

15024K07804-E

EAN 4251394671031

2023/06/29

Technical Data

Materials and material properties

Material - Housing	sheet steel
Material - Housing finish	powder-coated
Material - Sleeve	ceramic, slotted
Material - Coupler housing	GD-Zn (zinc die-cast)
Halogen free	yes
RoHS	compliant

Classifications

ETIM 7.0	EC001130
ETIM 8.0	EC001130
ETIM 9.0	EC001130

Packing details

Type of packaging	1 pc(s) / plastic bag
-------------------	-----------------------



P | Cabling

Data sheet

OpDAT REG K VIK 4xLC-Q OM3

Page 4/5

P/N

15024K07804-E

EAN 4251394671031

2023/06/29

Accessories

P/N	Designation
150240M20Z-E	OpDAT REG strain relief M20

© 2023 METZ CONNECT - Technische Änderungen vorbehalten! Subject to modifications! Sous réserve de modifications techniques!



P | Cabling

Data sheet

OpDAT REG K VIK 4xLC-Q OM3

Page 5/5

P/N

15024K07804-E

EAN 4251394671031

2023/06/29

Illustrations

Dimensional drawing

