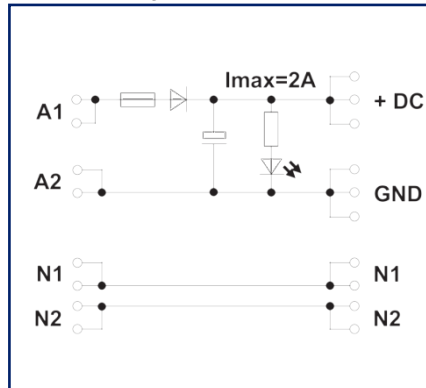


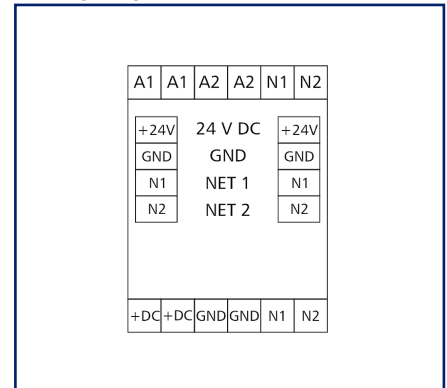
### Illustrations



Principle diagram



Wiring diagram



See enlarged drawings at the end of document

### Product specification

The HUB DC is used as ballast to operate I/O modules of the C|Logline LON, Modbus and BACnet range to rectify and smooth 24 V AC (alternating voltage). It supplies at the output a smoothed direct voltage of about 33 V DC (with 24 V AC at the input). To convert the supply voltage of C|Logline LON, Modbus and BACnet modules from a 24 V AC operation to DC operation (24 to 36 V DC) reduces the thermal load in the I/O modules and extends the service life of the included components. The device is designed as half-wave rectifier with common earth point (input A2 = output 0 V) to be directly used in 24 VAC systems.



## Technical Data

### Material

Color gray

### Classifications

ETIM 7.0	EC000675
ETIM 8.0	EC000675
ETIM 9.0	EC000675



## Accessories from

P/N	Designation
1105701321	FRAS 4/21 24 V AC/DC CAN
1105731302	FAA 4 24 V AC/DC CAN
1105741306	FAE 4 24 V AC/DC CAN
1105751319	FDE 4 24 V AC/DC CAN
11083013	MR-TO4 Modbus RTU
1108311319	MR-DI10 Modbus RTU
11083213	MR-AI8 Modbus RTU
1108331326	MR-DIO4/2 Modbus RTU
110833132601	MR-DIO4/2S Modbus RTU
1108331326IP	MR-DIO4/2-IP65 Modbus RTU
1108341319	MR-DI4 Modbus RTU
110834131901IP	MR-DI4-IP65 Modbus RTU, with external display
1108351302	MR-AO4 Modbus RTU
1108361321	MR-DO4 Modbus RTU
110836132101	MR-DOA4 Modbus RTU
1108371302	MR-AOP4 Modbus RTU
11083813	MR-TP Modbus RTU
11083913	MR-SI4 Modbus RTU
1108401332	MR-CI4 Modbus RTU
11084213IP	MR-AIO4/2-IP65 Modbus RTU
11084413	MR-LD6 Modbus RTU
1108501319	LF-DI4 LON
1108511319	LF-DI10 LON
1108511319IP	LF-DI10-IP65 LON
1108521321	LF-DO4 LON
1108521321IP	LF-DO4-IP65 LON
11085313	LF-AI8 LON
11085413	LF-AOP4 LON
11085413IP	LF-AO4-IP65 LON
1108551326	LF-DIO4/2 LON
1108551326IP	LF-DIO4/2-IP65 LON
1108561326	LF-DM4/4 LON

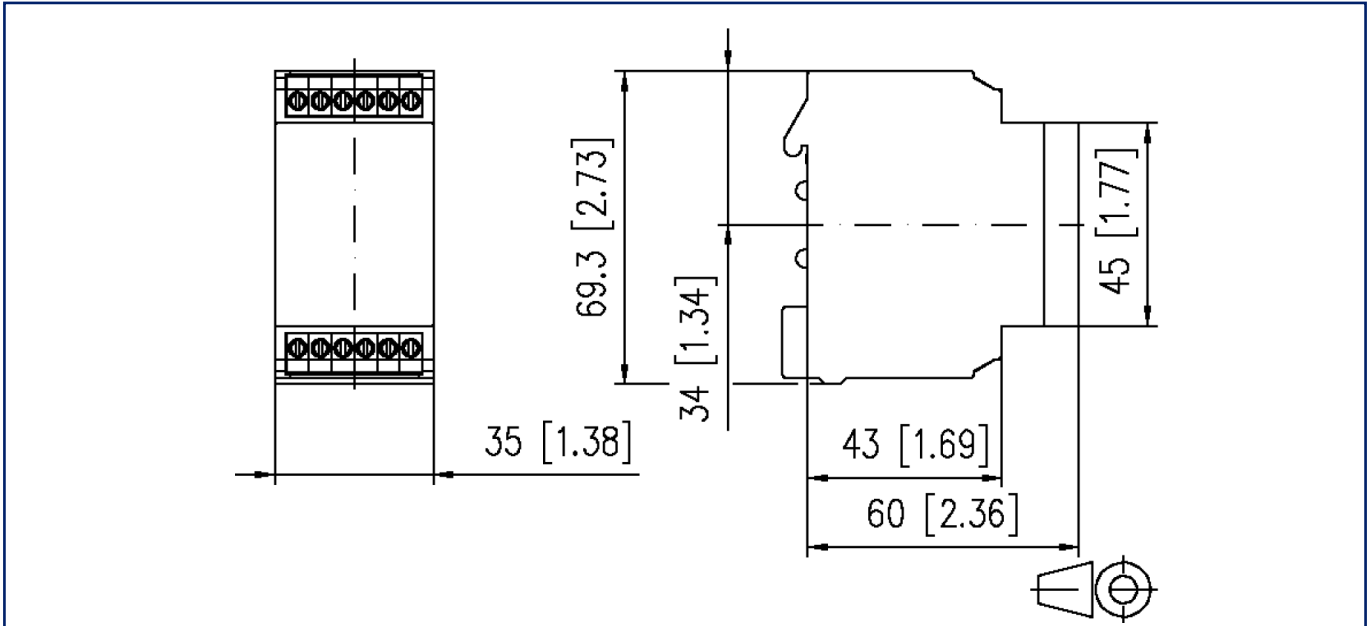
## Accessories from

11085713	LF-AM2/4 LON
11085813	LF-SI4 LON
11085913	LF-TP LON
1108601332	LF-CI4 LON
11086105IP	LF-TI-IP65 LON
11086213	LF-TO4 LON
11086313	LF-DI230 LON
11087913	LF-FAM LON
11088013	BMT-TO4 BACnet MS/TP
1108811319	BMT-DI10 BACnet MS/TP
11088213	BMT-AI8 BACnet MS/TP
1108831326	BMT-DIO4/2 BACnet MS/TP
1108831326IP	BMT-DIO4/2-IP65 BACnet MS/TP
1108841319	BMT-DI4 BACnet MS/TP
1108841319IP	BMT-DI4-IP65 BACnet MS/TP
1108851302	BMT-AO4 BACnet MS/TP
1108861321	BMT-DO4 BACnet MS/TP
1108871302	BMT-AOP4 BACnet MS/TP
1108871303	
110887130370	
11088813	BMT-TP BACnet MS/TP
11088913	BMT-SI4 BACnet MS/TP
1108901332	BMT-CI4 BACnet MS/TP
11089313	BMT-Multi I/O BACnet MS/TP
11095013	EW-TO4
1109511319	EW-DI10
11095213	EW-AI8
1109531326	EW-DIO4/2
1109531326IP	EW-DIO4/2-IP65
1109541319	EW-DI4
1109551302	EW-AO4
1109561321	EW-DO4
1109571332	EW-CI4

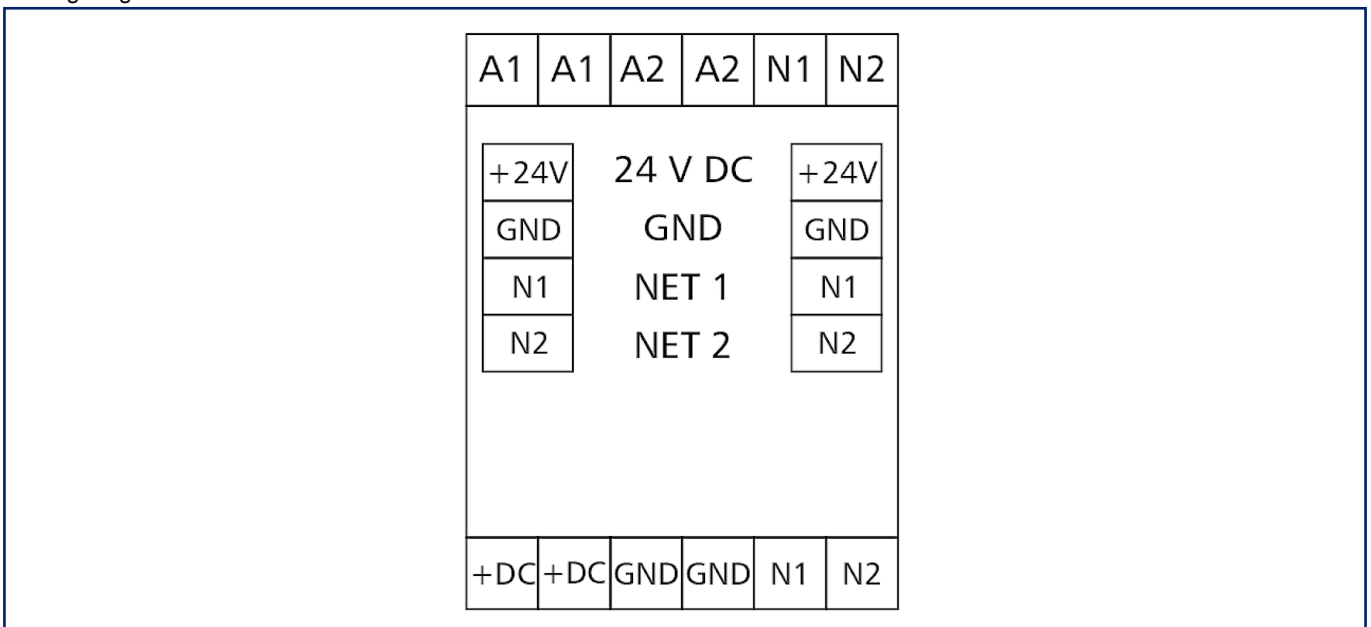


**Illustrations**

Dimensional drawing

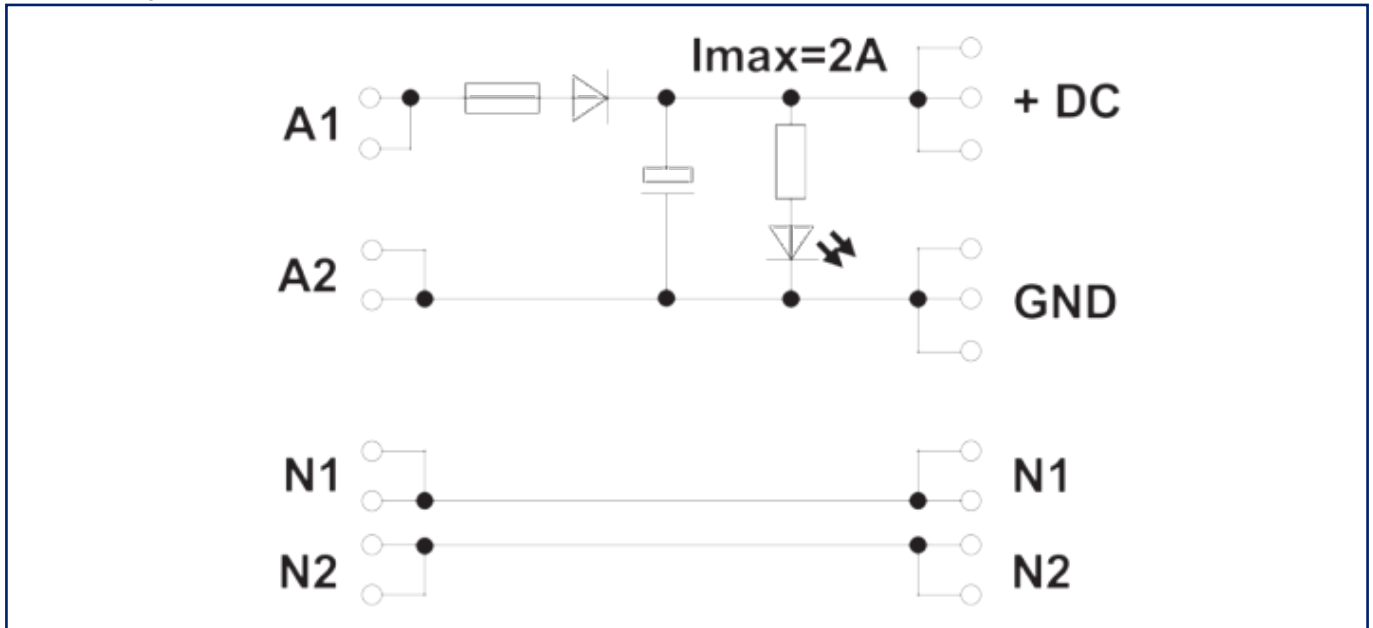


Wiring diagram



**Illustrations**

Principle diagram



© 2023 METZ CONNECT - Technische Änderungen vorbehalten! Subject to modifications! Sous réserve de modifications techniques!