

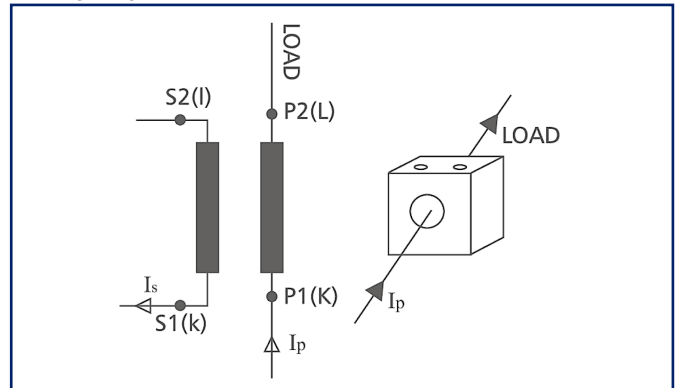
Data sheet

Current Converter TAmmini 100/5 A

Illustrations



Wiring diagram



See enlarged drawings at the end of document

Product specification

The current converter TAmmini is used for measuring currents that are beyond the measuring range of the directly connected measuring instrument.

- small current converter for mounting on 35 mm DIN rail
- Hole diameter: 21 mm, suitable for cables and rail 20 x 5 mm

Technical Data

Housing

Connection type screw connection

Material

Color brown

Classifications

ETIM 7.0 EC002048

ETIM 8.0 EC002048

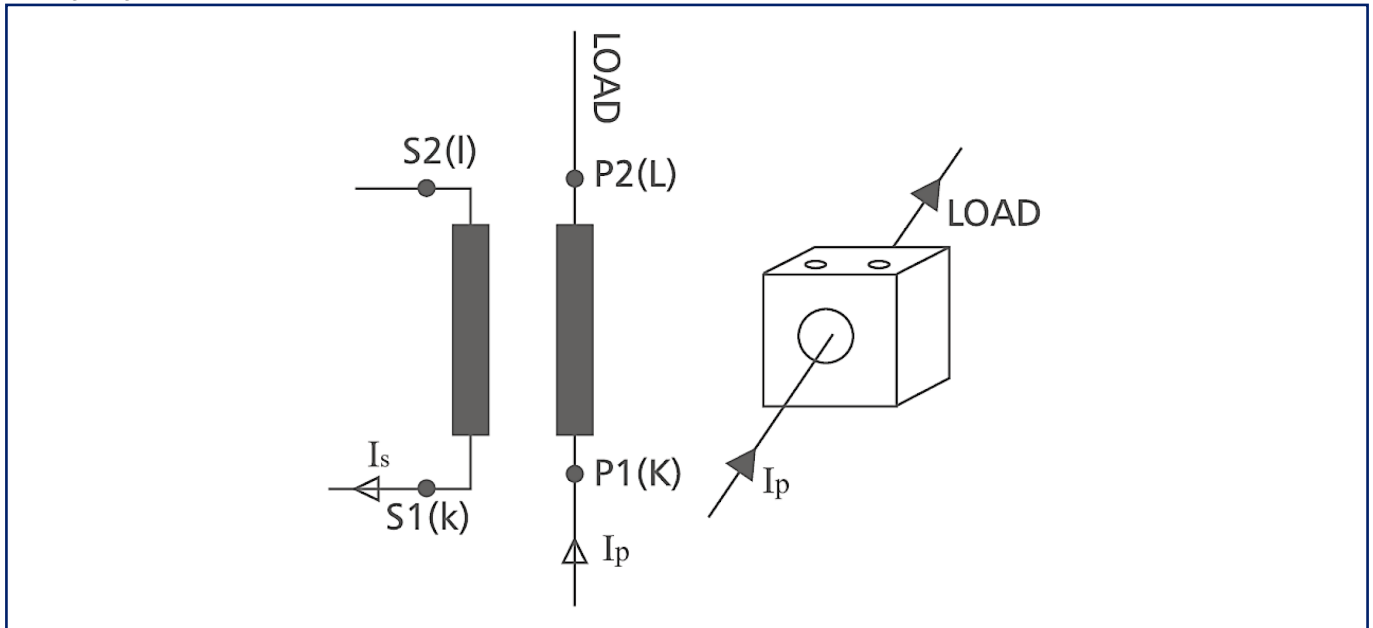
ETIM 9.0 EC002048

Accessories from

P/N	Designation
11027205	EIW-C18 230 V AC
11027210	EIW-C18 24 V AC
1102810520	CPW-E12, 230 V AC, 1 - 10 A

Illustrations

Wiring diagram



© 2023 METZ CONNECT - Technische Änderungen vorbehalten! Subject to modifications! Sous réserve de modifications techniques!