

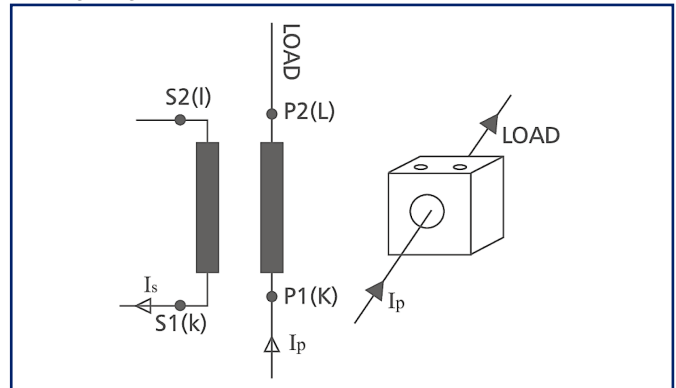
Data sheet

Current Converter TAmini 50/5 A

Illustrations



Wiring diagram



See enlarged drawings at the end of document

Product specification

The current converter TAmini is used for measuring currents that are beyond the measuring range of the directly connected measuring instrument.

- small current converter for mounting on 35 mm DIN rail
- Hole diameter: 21 mm, suitable for cables and rail 20 x 5 mm

Technical Data

Housing

Connection type screw connection

Material

Color brown

Classifications

ETIM 7.0 EC002048

ETIM 8.0 EC002048

ETIM 9.0 EC002048



Accessories from

P/N	Designation
11027205	EIW-C18 230 V AC
11027210	EIW-C18 24 V AC
1102810520	CPW-E12, 230 V AC, 1 - 10 A

Illustrations

Wiring diagram

