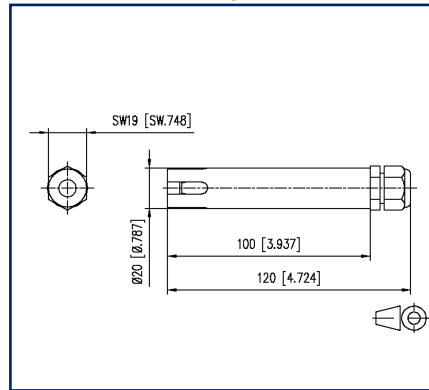


Data sheet
Submersible electrode TE2

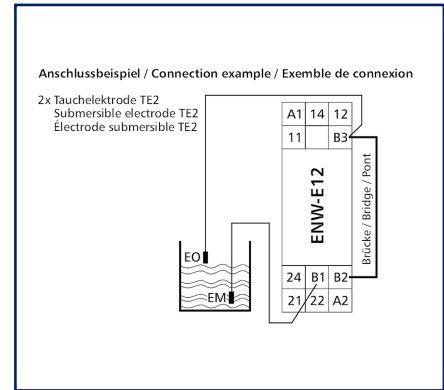
Illustrations



Dimensional drawing



Connection example



See enlarged drawings at the end of document

Product specification

One-pole submersible electrode made of stainless steel with protective polypropylene cover. Applications: Electrically conductive liquids, water supply, wells, pumping stations and dry run protection. To be connected to the level sensor ENW-E12 P/N 110308xx and MR-LD6 P/N 11084413. Contents of the packaging: 1 submersible electrode, 1 protective cover, 1 PG gland

Technical Data

Material

Color silver

Classifications

ETIM 7.0	EC002627
ETIM 8.0	EC002627
ETIM 9.0	EC002627

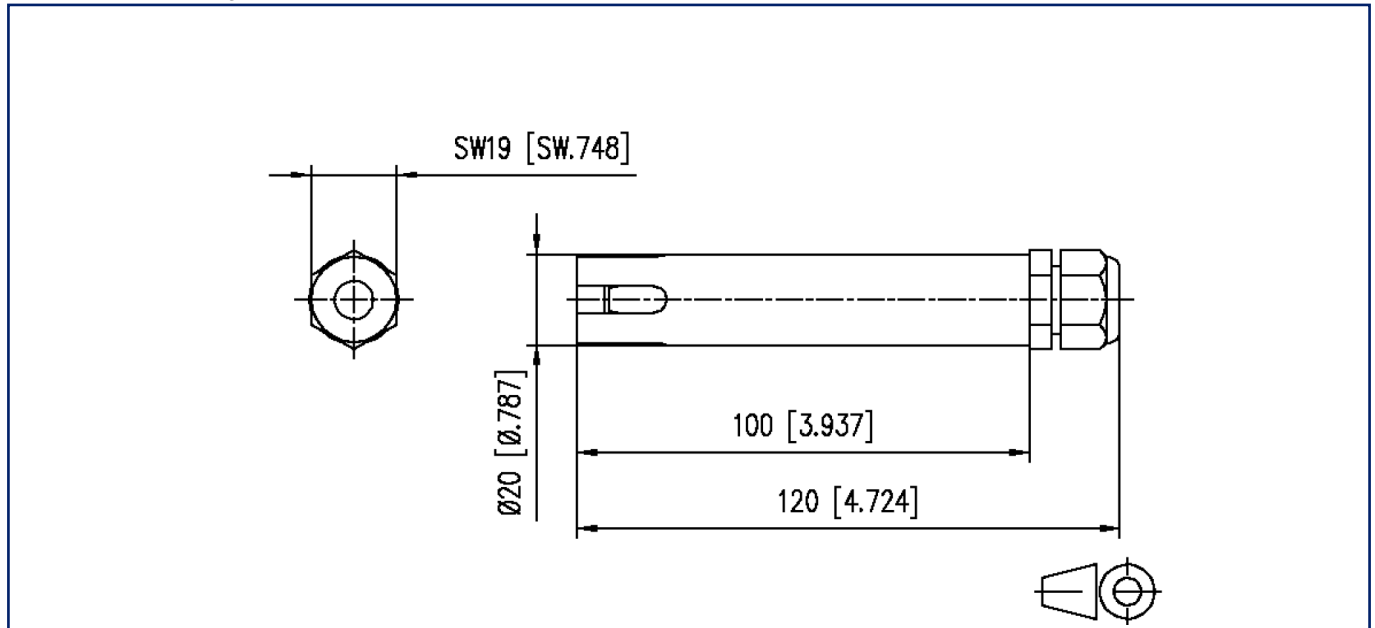


Accessories from

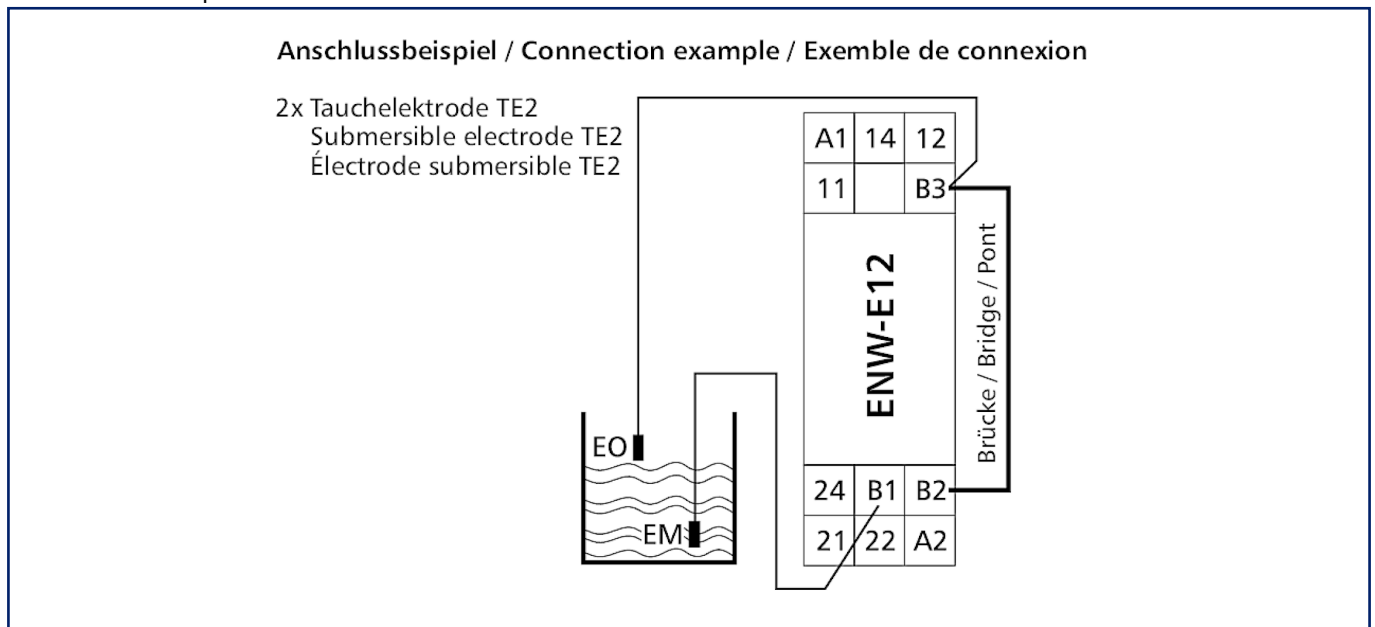
P/N	Designation
11030805	ENW-E12, 230 V AC
11030810	ENW-E12, 24 V AC
11084413	MR-LD6 Modbus RTU
1108441370	MR-F-LD6 Modbus RTU

Illustrations

Dimensional drawing

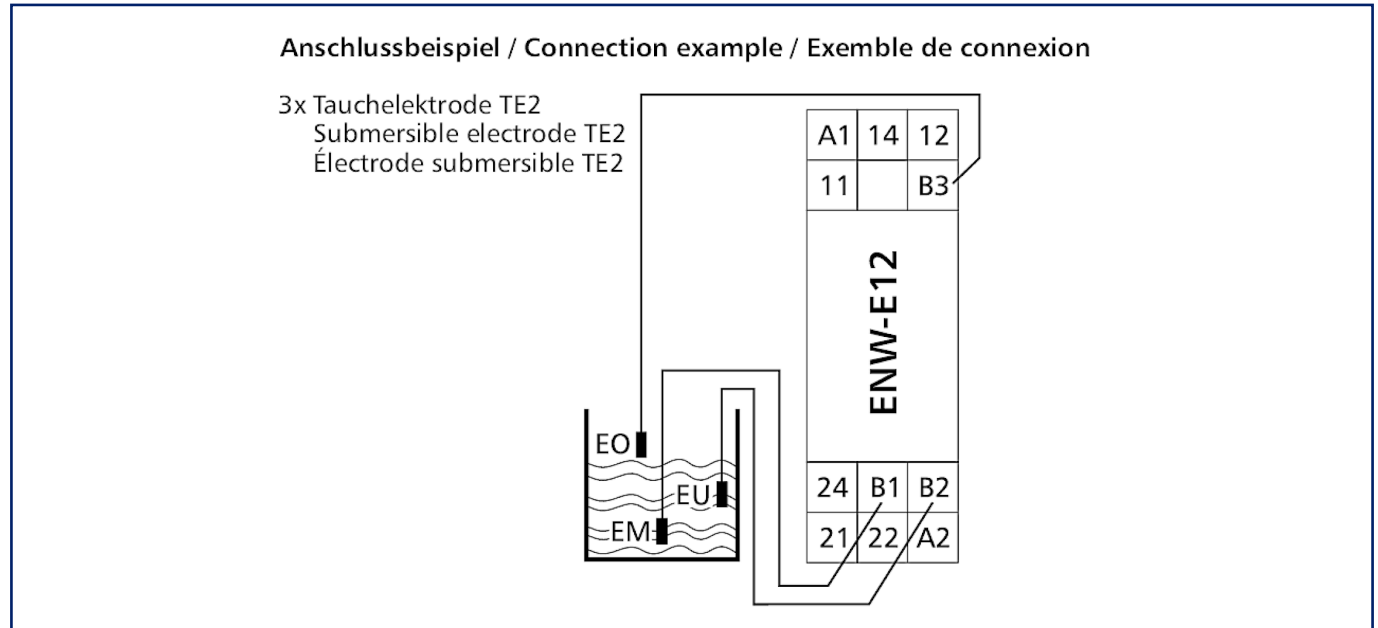


Connection example



Illustrations

Connection example



© 2023 METZ CONNECT - Technische Änderungen vorbehalten! Subject to modifications! Sous réserve de modifications techniques!