

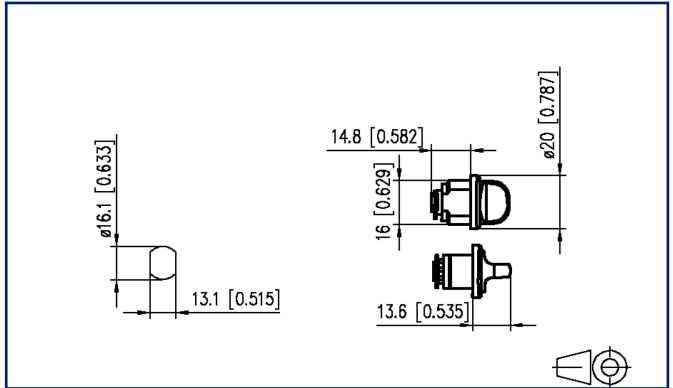
Data sheet

OpDAT WV rotary bolt

Illustrations



Dimensional drawing



See enlarged drawings at the end of document

Product specification

- rotary bolt for simple access the wall-mounted distributors
- suitable for OpDAT wall-mounted distributor sizes S and M
- included in delivery: 2 rotary bolts

P | Cabling

Data sheet OpDAT WV rotary bolt

Page 2/7

P/N
15032Z089-E
EAN 4251394669991
2023/07/03
Version: A

Technical Data

General Data

Mounting style Accessories

Materials and material properties

Material metal

Classifications

ETIM 7.0	EC000327
ETIM 8.0	EC000327
ETIM 9.0	EC000327

Packing details

Type of packaging 2 pc(s) / box



P | Cabling

Data sheet OpDAT WV rotary bolt

Page 3/7

P/N
15032Z089-E
EAN 4251394669991
2023/07/03
Version: A

Accessories from

P/N	Designation
1503205906-E	OpDAT Wall-mounted distributor S 06xE2-S APC OS2 VIK
1503205912-E	OpDAT Wall-mounted distributor S 12xE2-S APC OS2 VIK
1503205924-E	OpDAT Wall-mounted distributor S 24xE2-S APC OS2 VIK
1503207406-E	OpDAT Wall-mounted distributor S 6xLC-D OS2 VIK
1503207412-E	OpDAT Wall-mounted distributor S 12xLC-D OS2 VIK
1503207424-E	OpDAT Wall-mounted distributor S 24xLC-D OS2 VIK
1503207506-E	OpDAT Wall-mounted distributor S 6xLC-D OM4 VIK
1503207512-E	OpDAT Wall-mounted distributor S 12xLC-D OM4 VIK
1503207524-E	OpDAT Wall-mounted distributor S 24xLC-D OM4 VIK
1503207604-E	OpDAT Wall-mounted distributor S 4xLC-Duplex APC OS2 VIK
1503207606-E	OpDAT Wall-mounted distributor S 6xLC-D APC OS2 VIK
1503207612-E	OpDAT Wall-mounted distributor S 12xLC-D APC OS2 VIK
1503207620-E	OpDAT Wall-mounted distributor S 20xLC-Duplex APC OS2 VIK
1503207624-E	OpDAT Wall-mounted distributor S 24xLC-D APC OS2 VIK
1503207700-E	OpDAT Wall-mounted distributor S for 24xLC-D/SC/E2 unequipped
1503207706-E	OpDAT Wall-mounted distributor S 6xLC-D OM3 VIK
1503207712-E	OpDAT Wall-mounted distributor S 12xLC-D OM3 VIK
1503207724-E	OpDAT Wall-mounted distributor S 24xLC-D OM3 VIK
1503207M06-E	OpDAT Wall-mounted distributor S 6xLC-D OM5 VIK
1503207M12-E	OpDAT Wall-mounted distributor S 12xLC-D OM5 VIK
1503207M24-E	OpDAT Wall-mounted distributor S 24xLC-D OM5 VIK
150320BA00-E	OpDAT Wall-mounted distributor S for 12xSC-D/ST-D unequipped
150320BA06-E	OpDAT Wall-mounted distributor S 6xSC-D OM3 VIK
150320BA12-E	OpDAT Wall-mounted distributor S 12xSC-D OM3 VIK
150320BB06-E	OpDAT Wall-mounted distributor S 6xSC-D OM4 VIK
150320BB12-E	OpDAT Wall-mounted distributor S 12xSC-D OM4 VIK
150320BM06-E	OpDAT Wall-mounted distributor S 6xSC-D OM5 VIK
150320BM12-E	OpDAT Wall-mounted distributor S 12xSC-D OM5 VIK
150320E206-E	OpDAT Wall-mounted distributor S 6xSC-D OS2 VIK
150320E212-E	OpDAT Wall-mounted distributor S 12xSC-D OS2 VIK

P | Cabling

Data sheet

OpDAT WV rotary bolt

Page 4/7

P/N

15032Z089-E

EAN 4251394669991

2023/07/03

Version: A

Accessories from

150320F206-E	OpDAT Wall-mounted distributor S 6xSC-D APC OS2 VIK
150320F212-E	OpDAT Wall-mounted distributor S 12xSC-DAPC OS2 VIK
1503257706-E	OpDAT Wall-mounted distributor S 6xLC-D OM3 splice
1503257712-E	OpDAT Wall-mounted distributor S 12xLC-D OM3 splice
1503257716-E	OpDAT Wall-mounted distributor S 16xLC-Duplex OM3 splice
1503257724-E	OpDAT Wall-mounted distributor S 24xLC-D OM3 splice
150325BA06-E	OpDAT Wall-mounted distributor S 6xSC-D OM3 splice
150325BA12-E	OpDAT Wall-mounted distributor S 12xSC-D OM3 splice
1503277506-E	OpDAT Wall-mounted distributor S 6xLC-D OM4 splice
1503277512-E	OpDAT Wall-mounted distributor S 12xLC-D OM4 splice
1503277524-E	OpDAT Wall-mounted distributor S 24xLC-D OM4 splice
150327BB06-E	OpDAT Wall-mounted distributor S 6xSC-D OM4 splice
150327BB12-E	OpDAT Wall-mounted distributor S 12xSC-D OM4 splice
1503287M06-E	OpDAT Wall-mounted distributor S 6xLC-D OM5 splice
1503287M12-E	OpDAT Wall-mounted distributor S 12xLC-D OM5 splice
1503287M24-E	OpDAT Wall-mounted distributor S 24xLC-D OM5 splice
150328BM06-E	OpDAT Wall-mounted distributor S 6xSC-D OM5 splice
150328BM12-E	OpDAT Wall-mounted distributor S 12xSC-D OM5 splice
1503295906-E	OpDAT Wall-mounted distributor S 6xE2-S APC OS2 splice
1503295912-E	OpDAT Wall-mounted distributor S 12xE2-S APC OS2 splice
1503295924-E	OpDAT Wall-mounted distributor S 24xE2-S APC OS2 splice
1503297406-E	OpDAT Wall-mounted distributor S 6xLC-D OS2 splice
1503297412-E	OpDAT Wall-mounted distributor S 12xLC-D OS2 splice
1503297424-E	OpDAT Wall-mounted distributor S 24xLC-D OS2 splice
1503297602-E	OpDAT Wall-mounted distributor S 2xLC-Duplex APC OS2 splice
1503297604-E	OpDAT Wall-mounted distributor S 4xLC-Duplex APC OS2 splice
1503297604-E4	OpDAT Wall-mounted distributor S 4xLC-Duplex APC OS2 splice, sets of 4
1503297606-E	OpDAT Wall-mounted distributor S 6xLC-DAPC OS2 splice
1503297608-E	OpDAT Wall-mounted distributor S 8xLC-Duplex APC OS2 splice
1503297612-E	OpDAT Wall-mounted distributor S 12xLC-DAPC OS2 splice
1503297612-E4	OpDAT Wall-mounted distributor S 12xLC-Duplex APC OS2 splice, sets of 4

Accessories from

1503297624-E	OpDAT Wall-mounted distributor S 24xLC-DAPC OS2 splice
150329E204-E	OpDAT Wall-mounted distributor S 4xSC-Duplex OS2 splice
150329E206-E	OpDAT Wall-mounted distributor S 6xSC-D OS2 splice
150329E212-E	OpDAT Wall-mounted distributor S 12xSC-D OS2 splice
150329F206-E	OpDAT Wall-mounted distributor S 6xSC-D APC OS2 splice
150329F212-E	OpDAT Wall-mounted distributor S 12xSC-DAPC OS2 splice
1503305948-E	OpDAT Wall-mounted distributor M 48xE2-S APC OS2 VIK
1503307424-E	OpDAT Wall-mounted distributor M 24xLC-Duplex OS2 VIK
1503307448-E	OpDAT Wall-mounted distributor M 48xLC-D OS2 VIK
1503307548-E	OpDAT Wall-mounted distributor M 48xLC-D OM4 VIK
1503307648-E	OpDAT Wall-mounted distributor M 48xLC-DAPC OS2 VIK
1503307700-E	OpDAT Wall-mounted distributor for M 48xLC-D/SC/E2 unequipped
1503307748-E	OpDAT Wall-mounted distributor M 48xLC-D OM3 VIK
1503307M48-E	OpDAT Wall-mounted distributor M 48xLC-D OM5 VIK
150330BA00-E	OpDAT Wall-mounted distributor M for 24xSC-D/ST-D unequipped
150330BA24-E	OpDAT Wall-mounted distributor M 24xSC-D OM3 VIK
150330BB24-E	OpDAT Wall-mounted distributor M 24xSC-D OM4 VIK
150330E224-E	OpDAT Wall-mounted distributor M 24xSC-D OS2 VIK
150330F224-E	OpDAT Wall-mounted distributor M 24xSC-DAPC OS2 VIK
1503357748-E	OpDAT Wall-mounted distributor M 48xLC-D OM3 splice
150335BA24-E	OpDAT Wall-mounted distributor M 24xSC-D OM3 splice
1503377548-E	OpDAT Wall-mounted distributor M 48xLC-D OM4 splice
150337BB24-E	OpDAT Wall-mounted distributor M 24xSC-D OM4 splice
1503387M48-E	OpDAT Wall-mounted distributor M 48xLC-D OM5 splice
1503395948-E	OpDAT Wall-mounted distributor M 48xE2-S APC OS2 splice
1503397448-E	OpDAT Wall-mounted distributor M 48xLC-D OS2 splice
1503397648-E	OpDAT Wall-mounted distributor M 48xLC-DAPC OS2 splice
1503397A06-C	OpDAT Wall-mounted distributor M 6xLC-Q APC OS2 (ceramic, green)
1503397A12-C	OpDAT Wall-mounted distributor M 12xLC-Q APC OS2 (ceramic, green)
1503397A18-C	OpDAT Wall-mounted distributor M 18xLC-Q APC OS2 (ceramic, green)

P | Cabling

Data sheet OpDAT WV rotary bolt

Page 6/7

P/N

15032Z089-E

EAN 4251394669991

2023/07/03

Version: A

Accessories from

1503397A24-C	OpDAT Wall-mounted distributor M 24xLC-Q APC OS2 (ceramic, green)
1503397A30-C	OpDAT Wall-mounted distributor M 30xLC-Q APC OS2 (ceramic, green)
150339E224-E	OpDAT Wall-mounted distributor M 24xSC-D OS2 splice
150339F224-E	OpDAT Wall-mounted distributor M 24xSC-DAPC OS2 splice

P | Cabling

Data sheet OpDAT WV rotary bolt

Page 7/7

P/N
15032Z089-E
EAN 4251394669991
2023/07/03
Version: A

Illustrations

Dimensional drawing

