

Data sheet

MYD-4M-IP65

M-Bus distributor in a surface-mount IP65 housing

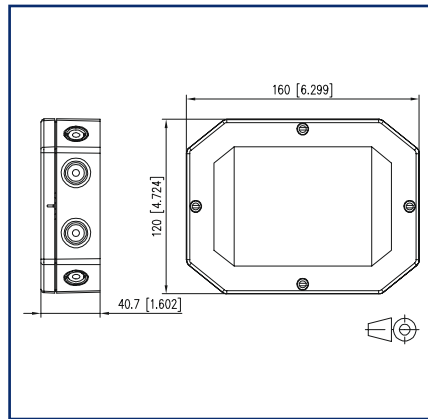
Part no.
11056301
EAN 4250184190363

2023-03-17
Version B

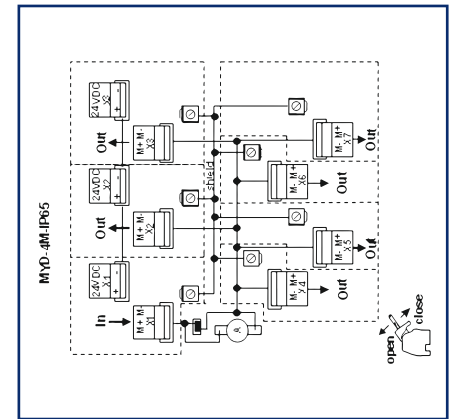
Illustration



Dimensions



Wiring diagram



Product specification

The M-Bus distributor in a surface-mount IP65 housing is used in structured M-Bus cabling as well as in servicing and maintaining the operation of M-Bus structures.

- Detachable spring clamp terminal blocks with printed contact designation
- Color of contact housing same as wire color of the -Bus cable J-Y(St)Y
- Uninterrupted M-Bus current measurement possible
- Sealable cover with quick release fasteners

Data sheet

Seite 2/4

MYD-4M-IP65

M-Bus distributor in a surface-mount IP65 housing

Part no.
11056301
EAN 4250184190363

2023-03-17
Version B

Technical Data

M-Bus-Interface	
Protocol	M-Bus, free topology
Bus interface	MYD (free-topology-bus)
Transmission rate	300 bis 38400 Bit/s

Inputs	
Inputs	1 x M-Bus 1 x voltage
M-Bus voltage	36 V
M-Bus current	500 mA
Rated voltage	24 V
Rated current	10 A

Outputs	
Outputs	6 x M-Bus 2 x voltage

Housing	
Dimensions (W x H x D)	160 x 40.7 x 120 mm
Weight	330 g
Material Housing Terminal blocks	ASA + Polycarbonat Polyamid 6.6 V0
Ingress protection (IEC 60529) for housing / terminal block	IP65/IP20

Data sheet

MYD-4M-IP65

M-Bus distributor in a surface-mount IP65 housing

Part no.
11056301
EAN 4250184190363

2023-03-17
 Version B

Technical Data

Terminal blocks	
Voltage and M-Bus Terminal block solid wire super-fine wire conductor bore	7 x 2-pole M-Bus / 3 x voltage 2-pole max. 1.5 mm ² max. 1.0 mm ² 0.3 mm to max. 1.4 mm
Shield connection solid wire super-fine wire conductor bore	max. 1.5 mm ² max. 1.0 mm ² 0.25 mm to max. 1.3 mm

Temperatur range	
Operation	-5° to 55° C
Storage	-20° to 70° C

Data sheet

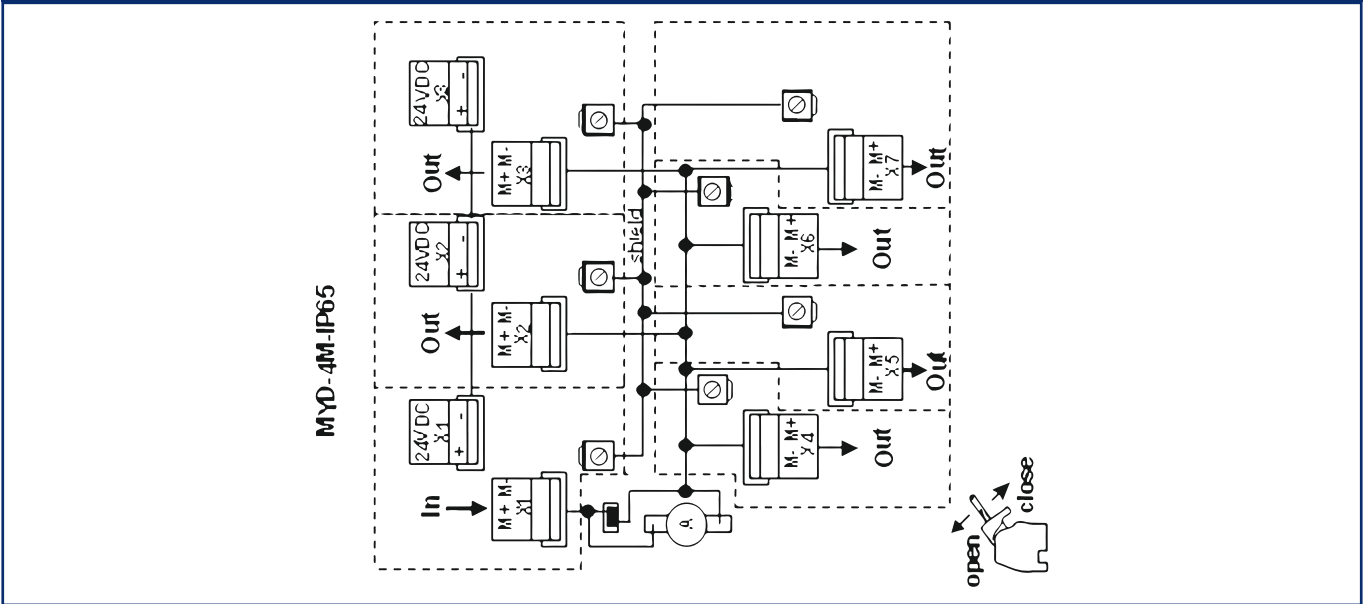
MYD-4M-IP65

M-Bus distributor in a surface-mount IP65 housing

Part no.
11056301
EAN 4250184190363

2023-03-17
Version B

Wiring diagram



Dimensions

