

**Data sheet****OpDAT MV patch panel 18xSC-S unequipped**

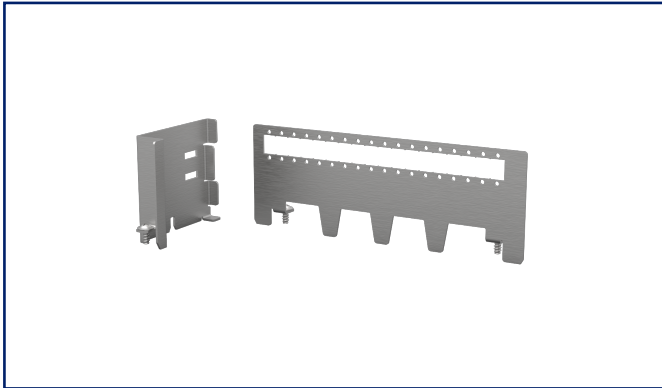
Page 1/4

P/N

15036Z1B00-E

EAN 4251394669670

2023/03/17

**Illustrations**

See enlarged drawings at the end of document

**Product specification**

- patch panel with 18 breakouts suitable for SC-S couplers
- delivery incl. partition wall and screws
- patch panel and partition wall made of hot-dip galvanised steel
- modular extension for all OpDAT MV enclosures



# P | Cabling

Data sheet

Page 2/4

## OpDAT MV patch panel 18xSC-S unequipped

P/N

15036Z1B00-E

EAN 4251394669670

2023/03/17

### Technical Data

#### General Data

|                       |  |
|-----------------------|--|
| Fields of application | harsh environment<br>Distributed building services |
| Design                | patch panel  |
| Dimensions            |  |
| Dimension (L x W x H) | 1.5 mm x 210 mm x 72.5 mm                          |
| Dimension (L x W x H) | 0.059 in. x 8.268 in. x 2.854 in.                  |

#### Mechanical data

|         |                 |
|---------|-----------------|
| Cut-out | SC, LC-D, E2000 |
|---------|-----------------|

#### Materials and material properties

|                        |             |
|------------------------|-------------|
| Material - Front cover | sheet steel |
|------------------------|-------------|

#### Classifications

|          |          |
|----------|----------|
| ETIM 7.0 | EC001130 |
| ETIM 8.0 | EC001130 |

#### Packing details

|                   |               |
|-------------------|---------------|
| Type of packaging | 1 pc(s) / box |
|-------------------|---------------|



# P | Cabling

Data sheet

Page 3/4

## OpDAT MV patch panel 18xSC-S unequipped

P/N

15036Z1B00-E

EAN 4251394669670

2023/03/17

### Accessories

| P/N        | Designation                         |
|------------|-------------------------------------|
| 15090052-I | OpDAT adapter SC-Duplex OM2 (metal) |
| 150900B2-I | OpDAT adapter SC-Duplex OM2         |
| 150900BA-I | OpDAT adapter SC-Duplex OM3         |
| 150900BB-I | OpDAT adapter SC-Duplex OM4         |
| 150900BM-I | OpDAT adapter SC-Duplex OM5         |
| 150900D2-I | OpDAT adapter SC-Duplex OS2 (metal) |
| 150900E2-I | OpDAT adapter SC-Duplex OS2         |
| 150900F2-I | OpDAT adapter SC-Duplex APC OS2     |

# P | Cabling

Data sheet

Page 4/4

## OpDAT MV patch panel 18xSC-S unequipped

P/N

15036Z1B00-E

EAN 4251394669670

2023/03/17

### Accessories from

| P/N           | Designation              |
|---------------|--------------------------|
| 15036000000-B | OpDAT MV unequipped IP65 |
| 15036000000-E | OpDAT MV unequipped IP54 |

© 2023 METZ CONNECT - Technische Änderungen vorbehalten! Subject to modifications! Sous réserve de modifications techniques!

