

Data sheet**OpDAT MV 9xLC-D APC OS2 VIK IP65**

Page 1/5

P/N

15036007609-B

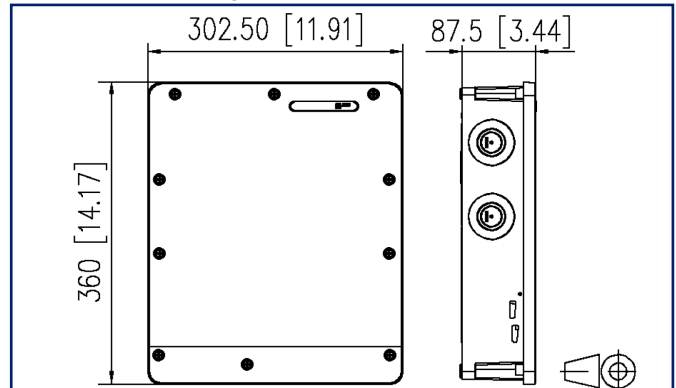
EAN 4251394669502

2023/04/12

Version: B

Illustrations

Dimensional drawing



See enlarged drawings at the end of document

Product specification

- surface-mounted housing for installation and distribution of pre-assembled fibre optic installation cables
- equipped with a patch panel with 9xLC-D (green) couplings
- protection class: IP65
- good access possibilities and simple installation
- the housings can be side by side for larger capacities
- cable entries: 12x M12/M16; 2x M20 and M25
- flexible cable exit for up to 18 cables
- compact, plain design
- dimensions (L x W x H): 87.5 x 302.5 x 360.0 mm



P | Cabling

Data sheet

Page 2/5

OpDAT MV 9xLC-D APC OS2 VIK IP65

P/N

15036007609-B

EAN 4251394669502

2023/04/12

Version: B

Technical Data

General Data

Fields of application	structured building cabling harsh environment Distributed building services
IP protection classes	IP65
Design	Wall-mounted distributor
Mounting style	AP
Transmission technology	Fiber optic
Color	Pure white RAL 9010
Dimensions	
Dimension (L x W x H)	87.5 mm x 302.5 mm x 360 mm
Dimension (L x W x H)	3.445 in. x 11.909 in. x 14.173 in.
Fiber class	OS2
Labeling option	yes

Connections/interfaces

Connector technology interface 1	LC-D Couplers
Connector technology interface 2	LC-D Couplers
Number of ports interface 1	9
Number of ports interface 2	9
Number of equipped ports interface 1	9
Number of ports interface 2 equipped	9
Number of ports with dust protection interface 2	9
Cable access/outlet	from top or bottom

Mechanical data

Cut-out	SC, LC-D, E2000
Connector type	duplex
strain relief	yes

Materials and material properties

Material - Housing	ASA/PC WT25921
Material - Front cover	sheet steel
Material - Front cover finish	galvanized
Material - Sleeve	ceramic, slotted



P | Cabling

Data sheet

Page 3/5

OpDAT MV 9xLC-D APC OS2 VIK IP65

P/N

15036007609-B

EAN 4251394669502

2023/04/12

Version: B

Technical Data

Materials and material properties

Material - Coupler housing	Plastics
Material - Dust protection	PC (polycarbonate)
RoHS	compliant

Standards/Regulations

Fibre optic connector interfaces	IEC 61754-20
----------------------------------	--------------

Classifications

ETIM 7.0	EC001130
ETIM 8.0	EC001130
ETIM 9.0	EC001130

Packing details

Type of packaging	1 pc(s) / box
Packaging dimension	450 mm x 590 mm x 130 mm



P | Cabling

Data sheet

Page 4/5

OpDAT MV 9xLC-D APC OS2 VIK IP65

P/N

15036007609-B

EAN 4251394669502

2023/04/12

Version: B

Accessories

P/N	Designation
15036Z0200-E	OpDAT splice cassette holder for OpDAT MV
15036Z0201-E	OpDAT splice cassette block for 6x12 crimp splice holder
15036Z0202-E	OpDAT splice cassette block for 3x12 shrink splice holder
15036Z0301-S	OpDAT MV sealing set FO for 16x2-3 mm cable
15036Z0302-S	OpDAT MV sealing set copper for 12x7-8 mm cable
15036Z0303-S	OpDAT MV sealing set FITH for 9x4-5 mm cable
15036Z0402-E	OpDAT MV connector Ø 34 mm
150811M12-E	Cable gland M12 (Clamping range 2.0 to 6.5 mm)
150811M16-E	Cable gland M16 (Clamping range 4.0 to 10.0 mm)
150811M20-E	Cable gland M20 (Clamping range 7.0 to 12.0 mm)
150811M25-E	Cable gland M25 (Clamping range 10.0 to 16.0 mm)



P | Cabling

Data sheet

OpDAT MV 9xLC-D APC OS2 VIK IP65

Page 5/5

P/N

15036007609-B

EAN 4251394669502

2023/04/12

Version: B

Illustrations

Dimensional drawing

