

Data sheet**OpDAT MV unequipped IP54**

Page 1/5

P/N

15036000000-E

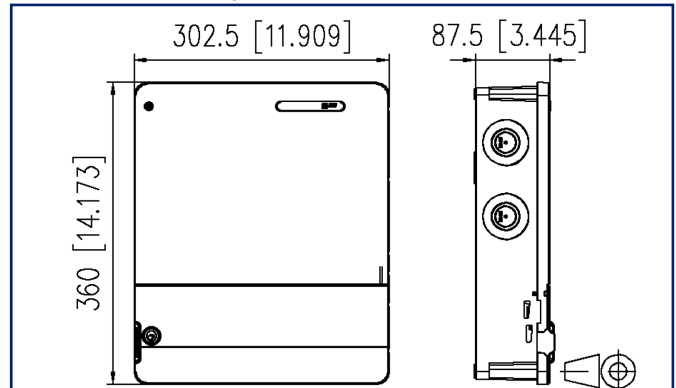
EAN 4251394669410

2023/04/26

Version: B

Illustrations

Dimensional drawing



See enlarged drawings at the end of document

Product specification

- distribution housings for copper and fibre optic applications
- 2 separately lockable areas to separate the installer and user sides
- protection class: IP54
- versatile due to modular design
- good access possibilities and simple installation
- the housings can be side by side for larger capacities
- cable entries: 12x M12/M16; 2x M20 and M25
- slotted foam as a flexible cable outlet
- sealable
- compact, plain design
- dimensions (L x W x H): 87.5 x 302.5 x 360.0 mm



P | Cabling

Data sheet

Page 2/5

OpDAT MV unequipped IP54

P/N

15036000000-E

EAN 4251394669410

2023/04/26

Version: B

Technical Data

General Data

Fields of application	structured building cabling harsh environment Distributed building services
IP protection classes	IP54 category 2
Design	Wall-mounted distributor
Mounting style	AP
Transmission technology	Fiber optic
Color	Pure white RAL 9010
Dimensions	
Dimension (L x W x H)	87.5 mm x 302.5 mm x 360 mm
Dimension (L x W x H)	3.445 in. x 11.909 in. x 14.173 in.
Labeling option	yes

Connections/interfaces

Cable access/outlet	from top or bottom
---------------------	--------------------

Mechanical data

strain relief	yes
---------------	-----

Materials and material properties

Material - Housing	ASA/PC WT25921 + ABS/PC GF10
RoHS	compliant

Classifications

ETIM 7.0	EC001130
ETIM 8.0	EC001130
ETIM 9.0	EC001130

Packing details

Type of packaging	1 pc(s) / box
Packaging dimension	450 mm x 590 mm x 130 mm

P | Cabling

Data sheet

OpDAT MV unequipped IP54

Page 3/5

P/N

1503600000-E**EAN 4251394669410**

2023/04/26

Version: B

Technical Data

notes

Safety instructions

The rated voltage of the installed components shouldn't increase over 50 VAC or 75 VDC.



P | Cabling

Data sheet

Page 4/5

OpDAT MV unequipped IP54

P/N

15036000000-E

EAN 4251394669410

2023/04/26

Version: B

Accessories

P/N	Designation
15036Z0200-E	OpDAT splice cassette holder for OpDAT MV
15036Z0201-E	OpDAT splice cassette block for 6x12 crimp splice holder
15036Z0202-E	OpDAT splice cassette block for 3x12 shrink splice holder
15036Z0402-E	OpDAT MV connector Ø 34 mm
15036Z0403-E	OpDAT MV perforated metal plate
15036Z1B00-E	OpDAT MV patch panel 18xSC-S unequipped
15036Z5F00-E	OpDAT MV patch panel 9xE2000-D unequipped
15036Z7300-E	OpDAT MV patch panel 9xLC-D/SC-S/E2000-S unequipped
15036ZB200-E	OpDAT MV patch panel 9xST-D unequipped
15036ZRJ00-E	OpDAT MV patch panel 12xmodule cutouts unequipped
150811M12-E	Cable gland M12 (Clamping range 2.0 to 6.5 mm)
150811M16-E	Cable gland M16 (Clamping range 4.0 to 10.0 mm)
150811M20-E	Cable gland M20 (Clamping range 7.0 to 12.0 mm)
150811M25-E	Cable gland M25 (Clamping range 10.0 to 16.0 mm)



P | Cabling

Data sheet

OpDAT MV unequipped IP54

Page 5/5

P/N

15036000000-E

EAN 4251394669410

2023/04/26

Version: B

Illustrations

Dimensional drawing

