

Data sheet**OpDAT MV hybrid 12xmodule cutouts unequipped IP65**

Page 1/5

P/N

1503600RJ00-B

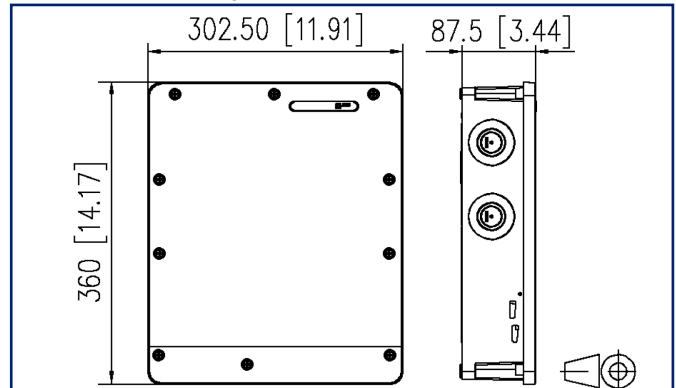
EAN 4251394669540

2023/04/05

Version: A

Illustrations

Dimensional drawing



See enlarged drawings at the end of document

Product specification

- distribution housings for copper and fibre optic applications
- equipped with a patch panel to accommodate up to 12 copper or fibre-optic modules
- protection class: IP65
- good access possibilities and simple installation
- the housings can be side by side for larger capacities
- cable entries: 12x M12/M16; 2x M20 and M25
- flexible cable exit for up to 18 cables
- compact, plain design
- dimensions (L x W x H): 87.5 x 302.5 x 360.0 mm



OpDAT MV hybrid 12xmodule cutouts unequipped IP65

P/N
1503600RJ00-B
EAN 4251394669540
2023/04/05
Version: A

Technical Data

General Data

Fields of application	structured building cabling harsh environment Distributed building services
IP protection classes	IP65
Design	Wall-mounted distributor
Mounting style	AP
Color	Pure white RAL 9010
Dimensions	
Dimension (L x W x H)	87.5 mm x 302.5 mm x 360 mm
Dimension (L x W x H)	3.445 in. x 11.909 in. x 14.173 in.
Labeling option	yes

Connections/interfaces

Number of ports interface 1	12
Number of ports interface 2	12
Cable access/outlet	from top or bottom

Mechanical data

Cut-out	module cutouts
strain relief	yes

Materials and material properties

Material - Housing	ASA/PC WT25921
Material - Front cover	sheet steel
Material - Front cover finish	galvanized
RoHS	compliant

Classifications

ETIM 7.0	EC001130
ETIM 8.0	EC001130
ETIM 9.0	EC001130

P | Cabling

Data sheet

Page 3/5

OpDAT MV hybrid 12xmodule cutouts unequipped IP65

P/N

1503600RJ00-B

EAN 4251394669540

2023/04/05

Version: A

Technical Data

Packing details

Type of packaging	1 pc(s) / box
Packaging dimension	450 mm x 590 mm x 130 mm

notes

Safety instructions	The rated voltage of the installed components shouldn't increase over 50 VAC or 75 VDC.
---------------------	---



OpDAT MV hybrid 12xmodule cutouts unequipped IP65

P/N

1503600RJ00-B

EAN 4251394669540

2023/04/05

Version: A

Accessories

P/N	Designation
130898-01-I	COAX modul F jack / F jack
130898-02-I	COAX modul IEC jack / F jack
130898-03-I	COAX modul IEC plug / F jack
130908-I-B1	UAE modul Cat.5e white
130909-I	UAE modul Cat.6 jack T568A white
130910-I	E-DAT modul Cat.6 _A 8(8) jack, T568A
130910-I-B1	E-DAT modul Cat.6 _A 8(8) jack, T568B
130A11-29-I	UAE modul 8(8) Cat.6 _A black
130A11-I	UAE modul 8(8) Cat.6 _A white
130B11-25-E	25Gmodul
130B11-E	C6 _A modul 180° jack
130B12-E	C6 _A modul 270° jack
130B13-E	C6 _A modul 90° jack
15036Z0200-E	OpDAT splice cassette holder for OpDAT MV
15036Z0201-E	OpDAT splice cassette block for 6x12 crimp splice holder
15036Z0202-E	OpDAT splice cassette block for 3x12 shrink splice holder
15036Z0301-S	OpDAT MV sealing set FO for 16x2-3 mm cable
15036Z0302-S	OpDAT MV sealing set copper for 12x7-8 mm cable
15036Z0303-S	OpDAT MV sealing set FITH for 9x4-5 mm cable
15036Z0402-E	OpDAT MV connector Ø 34 mm
150811M12-E	Cable gland M12 (Clamping range 2.0 to 6.5 mm)
150811M16-E	Cable gland M16 (Clamping range 4.0 to 10.0 mm)
150811M20-E	Cable gland M20 (Clamping range 7.0 to 12.0 mm)
150811M25-E	Cable gland M25 (Clamping range 10.0 to 16.0 mm)
15091071-I	OpDAT modul LC-Duplex OS2
15091072-I	OpDAT modul LC-Duplex OM3
15091075-I	OpDAT modul LC-Duplex OM4
15091076-I	OpDAT modul LC-Duplex APC OS2
1509107B-I	OpDAT modul LC-Duplex OM2
1509107M-I	OpDAT modul LC-Duplex OM5

P | Cabling

Data sheet

Page 5/5

OpDAT MV hybrid 12xmodule cutouts unequipped IP65

P/N

1503600RJ00-B

EAN 4251394669540

2023/04/05

Version: A

Illustrations

Dimensional drawing

