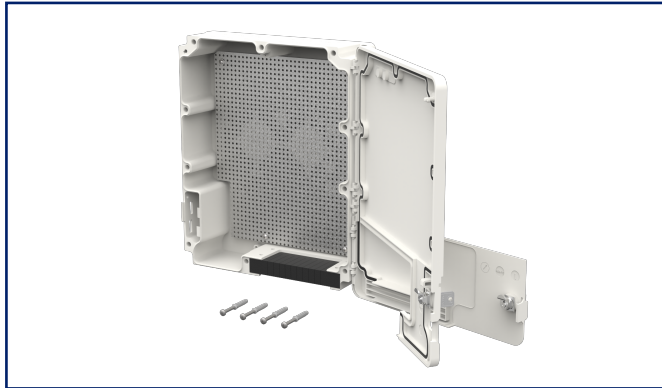


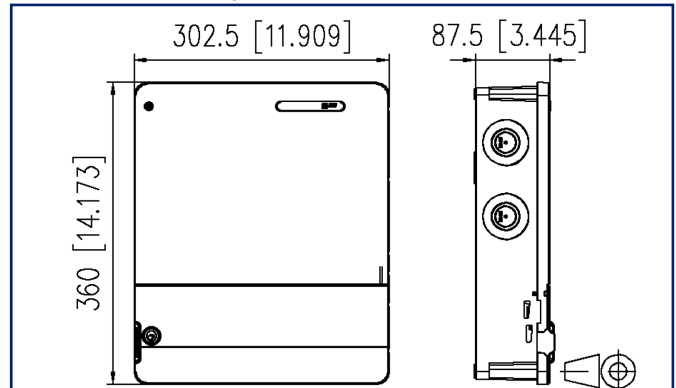
Data sheet

OpDAT MV universal IP54

Illustrations



Dimensional drawing



See enlarged drawings at the end of document

Product specification

- distribution housings for copper and fibre optic applications
- equipped with perforated plate for individual mounting of various units or top-hat rails
- maximum unit height: 67 mm
- 2 separately lockable doors to separate the installer- and user sides
- protection class: IP54
- good access possibilities and simple installation
- the housings can be side by side for larger capacities
- cable entries: 12x M12/M16; 2x M20 and M25
- slotted foam as a flexible cable outlet
- sealable
- compact, plain design
- dimensions (L x W x H): 87.5 x 302.5 x 360.0 mm

P | Cabling

Data sheet

Page 2/5

OpDAT MV universal IP54

P/N

1503600LB00-E

EAN 4251394669533

2023/04/05

Version: A

Technical Data

General Data

| | |
|-----------------------|-----------------------------------------------------------------------------------|
| Fields of application | structured building cabling harsh environment Distributed building services |
| IP protection classes | IP54 category 2 |
| Design | Wall-mounted distributor |
| Mounting style | AP |
| Color | Pure white RAL 9010 |
| Dimensions | |
| Dimension (L x W x H) | 87.5 mm x 302.5 mm x 360 mm |
| Dimension (L x W x H) | 3.445 in. x 11.909 in. x 14.173 in. |
| Labeling option | yes |

Connections/interfaces

| | |
|---------------------|--------------------|
| Cable access/outlet | from top or bottom |
|---------------------|--------------------|

Mechanical data

| | |
|---------------|-----|
| strain relief | yes |
|---------------|-----|

Materials and material properties

| | |
|-------------------------------|------------------------------|
| Material - Housing | ASA/PC WT25921 + ABS/PC GF10 |
| Material - Front cover | sheet steel |
| Material - Front cover finish | galvanized |
| RoHS | compliant |

Classifications

| | |
|----------|----------|
| ETIM 7.0 | EC001130 |
| ETIM 8.0 | EC001130 |
| ETIM 9.0 | EC001130 |

Packing details

| | |
|---------------------|--------------------------|
| Type of packaging | 1 pc(s) / box |
| Packaging dimension | 450 mm x 590 mm x 130 mm |

P | Cabling

Data sheet
OpDAT MV universal IP54

Page 3/5

P/N
1503600LB00-E
EAN **4251394669533**
2023/04/05
Version: A

Technical Data

notes

Safety instructions

The rated voltage of the installed components shouldn't increase over 50 VAC or 75 VDC.



P | Cabling

Data sheet

OpDAT MV universal IP54

Page 4/5

P/N

1503600LB00-E

EAN 4251394669533

2023/04/05

Version: A

Accessories

| P/N | Designation |
|--------------|--------------------------------------------------|
| 15036Z0402-E | OpDAT MV connector Ø 34 mm |
| 150811M12-E | Cable gland M12 (Clamping range 2.0 to 6.5 mm) |
| 150811M16-E | Cable gland M16 (Clamping range 4.0 to 10.0 mm) |
| 150811M20-E | Cable gland M20 (Clamping range 7.0 to 12.0 mm) |
| 150811M25-E | Cable gland M25 (Clamping range 10.0 to 16.0 mm) |



P | Cabling

Data sheet

OpDAT MV universal IP54

Page 5/5

P/N

1503600LB00-E

EAN 4251394669533

2023/04/05

Version: A

Illustrations

Dimensional drawing

