

Data sheet

OpDAT MV universal IP65

Page 1/5

P/N

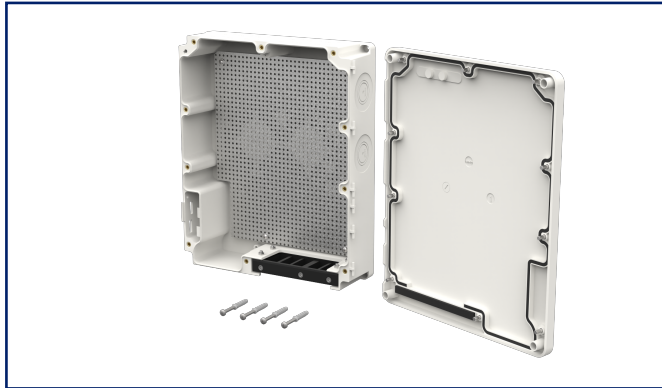
1503600LB00-B

EAN 4251394669526

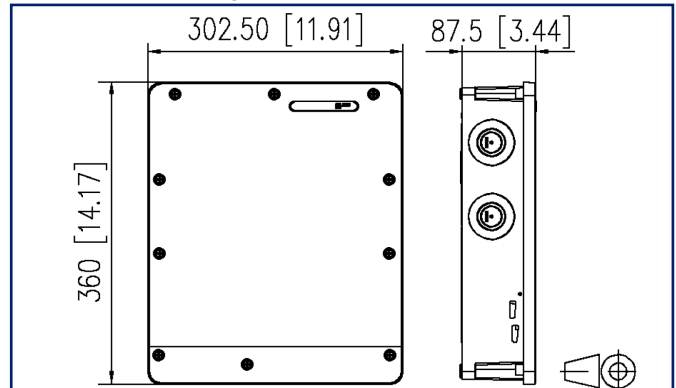
2023/04/05

Version: A

Illustrations



Dimensional drawing



See enlarged drawings at the end of document

Product specification

- distribution housings for copper and fibre optic applications
- equipped with perforated plate for individual mounting of various units or top-hat rails
- maximum unit height: 67 mm
- protection class: IP65
- good access possibilities and simple installation
- the housings can be side by side for larger capacities
- cable entries: 12x M12/M16; 2x M20 and M25
- flexible cable exit for up to 18 cables
- compact, plain design
- dimensions (L x W x H): 87.5 x 302.5 x 360.0 mm



P | Cabling

Data sheet

Page 2/5

OpDAT MV universal IP65

P/N

1503600LB00-B

EAN 4251394669526

2023/04/05

Version: A

Technical Data

General Data

Fields of application	structured building cabling harsh environment Distributed building services
IP protection classes	IP65
Design	Wall-mounted distributor
Mounting style	AP
Color	Pure white RAL 9010
Dimensions	
Dimension (L x W x H)	87.5 mm x 302.5 mm x 360 mm
Dimension (L x W x H)	3.445 in. x 11.909 in. x 14.173 in.
Labeling option	yes

Connections/interfaces

Cable access/outlet	from top or bottom
---------------------	--------------------

Mechanical data

strain relief	yes
---------------	-----

Materials and material properties

Material - Housing	ASA/PC WT25921
Material - Front cover	sheet steel
Material - Front cover finish	galvanized
RoHS	compliant

Classifications

ETIM 7.0	EC001130
ETIM 8.0	EC001130
ETIM 9.0	EC001130

Packing details

Type of packaging	1 pc(s) / box
Packaging dimension	450 mm x 590 mm x 130 mm

P | Cabling

Data sheet
OpDAT MV universal IP65

Page 3/5

P/N
1503600LB00-B
EAN **4251394669526**
2023/04/05
Version: A

Technical Data

notes

Safety instructions

The rated voltage of the installed components shouldn't increase over 50 VAC or 75 VDC.



P | Cabling

Data sheet

OpDAT MV universal IP65

Page 4/5

P/N

1503600LB00-B

EAN 4251394669526

2023/04/05

Version: A

Accessories

P/N	Designation
15036Z0301-S	OpDAT MV sealing set FO for 16x2-3 mm cable
15036Z0302-S	OpDAT MV sealing set copper for 12x7-8 mm cable
15036Z0303-S	OpDAT MV sealing set FITH for 9x4-5 mm cable
15036Z0402-E	OpDAT MV connector Ø 34 mm
150811M12-E	Cable gland M12 (Clamping range 2.0 to 6.5 mm)
150811M16-E	Cable gland M16 (Clamping range 4.0 to 10.0 mm)
150811M20-E	Cable gland M20 (Clamping range 7.0 to 12.0 mm)
150811M25-E	Cable gland M25 (Clamping range 10.0 to 16.0 mm)



P | Cabling

Data sheet

OpDAT MV universal IP65

Page 5/5

P/N

1503600LB00-B

EAN 4251394669526

2023/04/05

Version: A

Illustrations

Dimensional drawing

