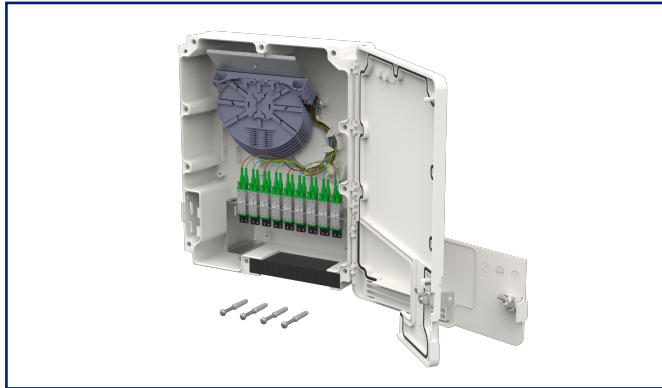


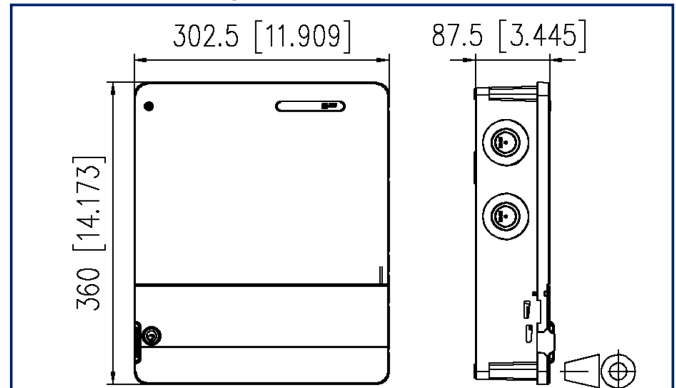
Data sheet

OpDAT MV 9xE2000-D APC OS2 splice IP54

Illustrations



Dimensional drawing



See enlarged drawings at the end of document

Product specification

- surface-mounted housing for splicing fibre optic installation cables
- equipped with a patch panel with 9xE2000-D APC (green) couplings
- equipped with pigtailed prepared for splicing
- pigtailed with semi-tight buffered fiber \varnothing 0.9 mm, 12+6 colours, secondary and primary coating of the same colour, length 2.0 m
- pigtailed inserted and set down in Single Circuit Cassettes with crimp splice holders
- 2 separately lockable doors to separate the installer- and user sides
- protection class: IP54
- good access possibilities and simple installation
- the housings can be side by side for larger capacities
- cable entries: 12x M12/M16; 2x M20 and M25
- slotted foam as a flexible cable outlet
- sealable
- compact, plain design
- dimensions (L x W x H): 87.5 x 302.5 x 360.0 mm



P | Cabling

Data sheet

Page 2/5

OpDAT MV 9xE2000-D APC OS2 splice IP54

P/N

15036C95F09-E

EAN 4251394669595

2023/04/05

Version: A

Technical Data

General Data

Fields of application	structured building cabling harsh environment Distributed building services
IP protection classes	IP54 category 2
Design	Wall-mounted distributor
Mounting style	AP
Transmission technology	Fiber optic
Color	Pure white RAL 9010
Dimensions	
Dimension (L x W x H)	87.5 mm x 302.5 mm x 360 mm
Dimension (L x W x H)	3.445 in. x 11.909 in. x 14.173 in.
Number of cables/ buffered fibers	18
Cable Type	pigtail(s)
Fiber class	OS2
Mode type of the fiber	Singlemode
Shape	APC (Angled Physical Contact)
Fiber construction	9/125 µm
Labeling option	yes

Connections/interfaces

Connector technology interface 1	E2000-D Couplers
Connector technology interface 2	E2000-D Couplers
Number of ports interface 1	9
Number of ports interface 2	9
Number of equipped ports interface 1	9
Number of ports interface 2 equipped	9
Number of ports with dust protection interface 2	9
Cable access/outlet	from top or bottom

Mechanical data

Cut-out	E2000-D
Connector type	Duplex-compact
strain relief	yes

P | Cabling

Data sheet

Page 3/5

OpDAT MV 9xE2000-D APC OS2 splice IP54

P/N

15036C95F09-E

EAN 4251394669595

2023/04/05

Version: A

Technical Data

Materials and material properties

Material - Housing	ASA/PC WT25921 + ABS/PC GF10
Material - Front cover	sheet steel
Material - Front cover finish	galvanized
Material - Sleeve	ceramic, slotted
Material - Coupler housing	Plastics
Material - Dust protection	PC (polycarbonate)
RoHS	compliant

Standards/Regulations

Fibre optic connector interfaces	IEC 61754-15
Optical fibers: Indoor optical cables	
Sectional specification for class B single-mode fibres	ISO/IEC 60793-2-50 type B.1.3 & B6_a
Standard colours for insulation for low-frequency cables & wires	IEC 60304

Classifications

ETIM 7.0	EC001130
ETIM 8.0	EC001130

Packing details

Type of packaging	1 pc(s) / box
Packaging dimension	450 mm x 590 mm x 130 mm

P | Cabling

Data sheet

Page 4/5

OpDAT MV 9xE2000-D APC OS2 splice IP54

P/N

15036C95F09-E

EAN 4251394669595

2023/04/05

Version: A

Accessories

P/N	Designation
15036Z0200-E	OpDAT splice cassette holder for OpDAT MV
15036Z0201-E	OpDAT splice cassette block for 6x12 crimp splice holder
150811M12-E	Cable gland M12 (Clamping range 2.0 to 6.5 mm)
150811M16-E	Cable gland M16 (Clamping range 4.0 to 10.0 mm)
150811M20-E	Cable gland M20 (Clamping range 7.0 to 12.0 mm)
150811M25-E	Cable gland M25 (Clamping range 10.0 to 16.0 mm)



P | Cabling

Data sheet

OpDAT MV 9xE2000-D APC OS2 splice IP54

Page 5/5

P/N

15036C95F09-E

EAN 4251394669595

2023/04/05

Version: A

Illustrations

Dimensional drawing

