

## Data sheet

### OpDAT MV 9xLC-D APC OS2 splice IP65

Page 1/5

P/N

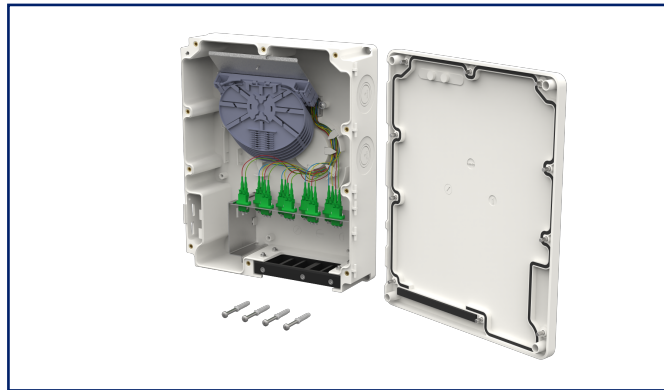
15036C97609-B

EAN 4251394669601

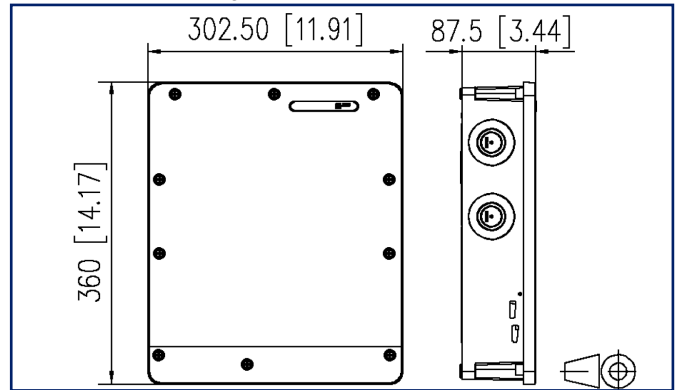
2023/04/05

Version: A

## Illustrations



Dimensional drawing



See enlarged drawings at the end of document

## Product specification

- surface-mounted housing for splicing fibre optic installation cables
- equipped with a patch panel with 9xLC-D APC (green) couplings
- equipped with pigtailed prepared for splicing
- pigtailed with semi-tight buffered fiber  $\varnothing$  0.9 mm, 12+6 colours, secondary and primary coating of the same colour, length 2.0 m
- pigtailed inserted and set down in Single Circuit Cassettes with crimp splice holders
- protection class: IP65
- good access possibilities and simple installation
- the housings can be side by side for larger capacities
- cable entries: 12x M12/M16; 2x M20 and M25
- flexible cable exit for up to 18 cables
- compact, plain design
- dimensions (L x W x H): 87.5 x 302.5 x 360.0 mm

# P | Cabling

Data sheet

Page 2/5

## OpDAT MV 9xLC-D APC OS2 splice IP65

P/N

15036C97609-B

EAN 4251394669601

2023/04/05

Version: A

### Technical Data

#### General Data

|                                   |   |
|-----------------------------------|---|
| Fields of application             | structured building cabling<br>harsh environment<br>Distributed building services |
| IP protection classes             | IP65  |
| Design                            | Wall-mounted distributor  |
| Mounting style                    | AP  |
| Transmission technology           | Fiber optic   |
| Color                             | Pure white RAL 9010   |
| Dimensions                        |   |
| Dimension (L x W x H)             | 87.5 mm x 302.5 mm x 360 mm   |
| Dimension (L x W x H)             | 3.445 in. x 11.909 in. x 14.173 in.   |
| Number of cables/ buffered fibers | 18  |
| Cable Type                        | pigtail(s)  |
| Fiber class                       | OS2   |
| Mode type of the fiber            | Singlemode  |
| Shape                             | APC (Angled Physical Contact)   |
| Fiber construction                | 9/125 µm  |
| Labeling option                   | yes   |

#### Connections/interfaces

|  |                    |
|--|--------------------|
| Connector technology interface 1                 | LC-D Couplers      |
| Connector technology interface 2                 | LC-D Couplers      |
| Number of ports interface 1                      | 9                  |
| Number of ports interface 2                      | 9                  |
| Number of equipped ports interface 1             | 9                  |
| Number of ports interface 2 equipped             | 9                  |
| Number of ports with dust protection interface 2 | 9                  |
| Cable access/outlet                              | from top or bottom |

#### Mechanical data

|                |                 |
|----------------|-----------------|
| Cut-out        | SC, LC-D, E2000 |
| Connector type | duplex          |
| strain relief  | yes             |

# P | Cabling

Data sheet

Page 3/5

## OpDAT MV 9xLC-D APC OS2 splice IP65

P/N

15036C97609-B

EAN 4251394669601

2023/04/05

Version: A

### Technical Data

#### Materials and material properties

|                               |                    |
|-------------------------------|--------------------|
| Material - Housing            | ASA/PC WT25921     |
| Material - Front cover        | sheet steel        |
| Material - Front cover finish | galvanized         |
| Material - Sleeve             | ceramic, slotted   |
| Material - Coupler housing    | Plastics           |
| Material - Dust protection    | PC (polycarbonate) |
| RoHS                          | compliant          |

#### Standards/Regulations

|  |                                      |
|--|--------------------------------------|
| Fibre optic connector interfaces                                 | IEC 61754-20                         |
| Optical fibers: Indoor optical cables                            |                                      |
| Sectional specification for class B single-mode fibres           | ISO/IEC 60793-2-50 type B.1.3 & B6_a |
| Standard colours for insulation for low-frequency cables & wires | IEC 60304                            |

#### Classifications

|          |          |
|----------|----------|
| ETIM 7.0 | EC001130 |
| ETIM 8.0 | EC001130 |
| ETIM 9.0 | EC001130 |

#### Packing details

|                     |                          |
|---------------------|--------------------------|
| Type of packaging   | 1 pc(s) / box            |
| Packaging dimension | 450 mm x 590 mm x 130 mm |

# P | Cabling

Data sheet

Page 4/5

## OpDAT MV 9xLC-D APC OS2 splice IP65

P/N

15036C97609-B

EAN 4251394669601

2023/04/05

Version: A

### Accessories

| P/N          | Designation  |
|--------------|--|
| 15036Z0200-E | OpDAT splice cassette holder for OpDAT MV                |
| 15036Z0201-E | OpDAT splice cassette block for 6x12 crimp splice holder |
| 15036Z0301-S | OpDAT MV sealing set FO for 16x2-3 mm cable              |
| 15036Z0302-S | OpDAT MV sealing set copper for 12x7-8 mm cable          |
| 15036Z0303-S | OpDAT MV sealing set FITH for 9x4-5 mm cable             |
| 150811M12-E  | Cable gland M12 (Clamping range 2.0 to 6.5 mm)           |
| 150811M16-E  | Cable gland M16 (Clamping range 4.0 to 10.0 mm)          |
| 150811M20-E  | Cable gland M20 (Clamping range 7.0 to 12.0 mm)          |
| 150811M25-E  | Cable gland M25 (Clamping range 10.0 to 16.0 mm)         |



# P | Cabling

Data sheet

OpDAT MV 9xLC-D APC OS2 splice IP65

Page 5/5

P/N

15036C97609-B

EAN 4251394669601

2023/04/05

Version: A

## Illustrations

Dimensional drawing

