

Data sheet

OpDAT ADT splice 4xE2000-S APC OS2

Page 1/6

P/N

1501195U04HC

EAN 4251394649153

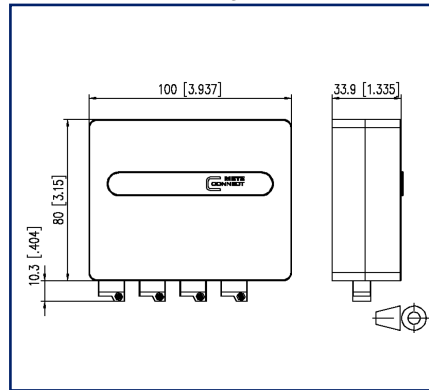
2023/04/14

Version: B

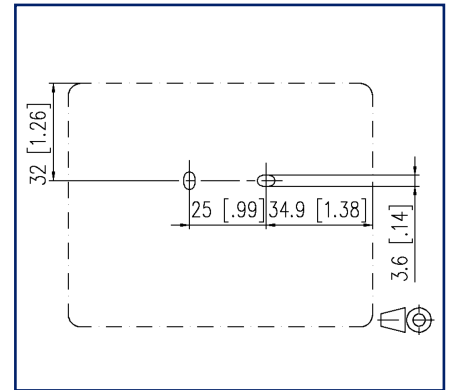
Illustrations



Dimensional drawing



Drill pattern



See enlarged drawings at the end of document

Product specification

- compact, universal fiber optic termination unit for flush mounted outlets or cavity wall boxes, surface mounting or rail mounting
- equipped with adapters with laser shutter and singlemode pigtails for splicing to FITH cables with singlemode fibers
- pigtails with single mode fiber OS2, E9/125 μm , IEC 60793-2-50 B.1.3 and B.6_a, bend insensitive according to ITU-T G.657.A1, compatible to ITU-T G.652.D
- unequipped ports are closed with blind plugs
- possible cable entries: on the back, from above, from below, from the left or the right side
- with integrated clips for rail mounting in two directions
- pivoting, removable splice tray for up to 8 shrink splice protections
- cover removable without tool
- plug direction 90°
- color of the cover parts pure white RAL 9010
- variants: equipped with SC APC, SC UPC, LC-D APC or LC-D UPC, E2000-S APC adapters and matching pigtails

P | Cabling

Data sheet

Page 2/6

OpDAT ADT splice 4xE2000-S APC OS2

P/N

1501195U04HC

EAN 4251394649153

2023/04/14

Version: B

Technical Data

General Data

Mechanical measurement according to MICE	M1
Ingress measurement according to MICE	I1
Climatic measurement according to MICE	C1
Electromagnetic measurement according to MICE	E3
Design	wall outlet
Mounting style	surface mount, standard rail TH35
Transmission technology	Fiber optic
Color	Pure white RAL 9010
Dimensions	
Dimension (L x W x H)	85 mm x 100 mm x 35 mm
Dimension (L x W x H)	3.346 in. x 3.937 in. x 1.378 in.
Cable Type	pigtail(s)
Mode type of the fiber	Singlemode
Fiber class	OS2 (ISO/IEC 11801/EN50173 & IEC 60793-2-50 B1.3, B6_a & ITU-T G.657.A1, G.652.D)
Shape	APC (Angled Physical Contact)
Fiber construction	9/125 µm

Connections/interfaces

Connector technology interface 1	E2000-S APC
Number of ports interface 1	4
Number of ports interface 2	4
Number of equipped ports interface 1	4
Number of ports interface 2 equipped	4
Number of ports with dust protection interface 2	4
Module plug-in direction	straight
Cable access/outlet	rear, top, bottom, left or right

Elektrische/ Optische Eigenschaften

Insertion loss	max. 0,3 dB
Return loss	min. 65 dB

P | Cabling

Data sheet

Page 3/6

OpDAT ADT splice 4xE2000-S APC OS2

P/N

1501195U04HC

EAN 4251394649153

2023/04/14

Version: B

Technical Data

Mechanical data

Cut-out	SC
Connector type	simplex

Materials and material properties

Material - Housing	ABS + PC
Material - Lower housing	ABS
Material - Coupler housing	Plastics
Material - Sleeve	ceramic, slotted
Material - Ferrule	Ceramic
RoHS	compliant

Environmental conditions

Temperature (min. - max.)	
Temperature - Storage °C	-10 °C - 60 °C
Temperature - Storage °F	14 °F - 140 °F
Temperature - Operating °C	-10 °C - 60 °C
Temperature - Operating °F	14 °F - 140 °F
Particulate ingress	IP2X
Liquid ingress/immersion	IPX0

Standards/Regulations

Generic cabling systems	
General requirements	ISO/IEC 11801-1
Lichtwellenleiter: LWL-Innenkabel	
Sectional specification for class B single-mode fibres	ISO/IEC 60793-2-50 type B.1.3 & B6_a
Optical fibers - Interconnecting devices and passive components - basic test and measuring methods	
Fibre optic interconnecting devices and passive components	IEC 61300-3-4
Fibre optic interconnecting devices and passive components	IEC 61300-3-6
Fibre optic interconnecting devices and passive components	IEC 61300-3-35
ITU-T standard	ITU-T G.657.A1 compatible with ITU-T G.652.D

P | Cabling

Data sheet

Page 4/6

OpDAT ADT splice 4xE2000-S APC OS2

P/N

1501195U04HC

EAN 4251394649153

2023/04/14

Version: B

Technical Data

Classifications

ETIM 7.0	EC001409
ETIM 8.0	EC001409
ETIM 9.0	EC001409

Packing details

Type of packaging	1 pc(s) / box
-------------------	---------------

P | Cabling

Data sheet

Page 5/6

OpDAT ADT splice 4xE2000-S APC OS2

P/N

1501195U04HC

EAN 4251394649153

2023/04/14

Version: B

Accessories

P/N	Designation
15090304-I	OpDAT splice protection cover for 6 crimp splices
15090401-I	OpDAT crimp splice protection (150 pieces)

© 2023 METZ CONNECT - Technische Änderungen vorbehalten! Subject to modifications! Sous réserve de modifications techniques!



P | Cabling

Data sheet

OpDAT ADT splice 4xE2000-S APC OS2

Page 6/6

P/N

1501195U04HC

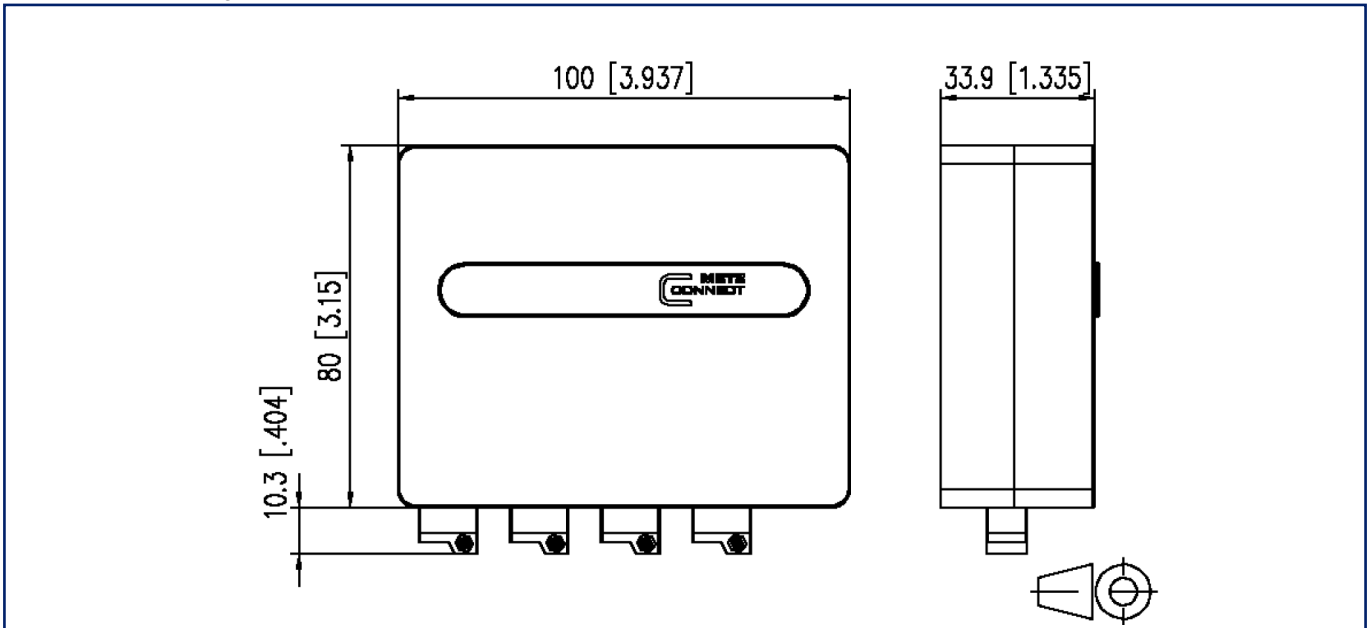
EAN 4251394649153

2023/04/14

Version: B

Illustrations

Dimensional drawing



Drill pattern

