

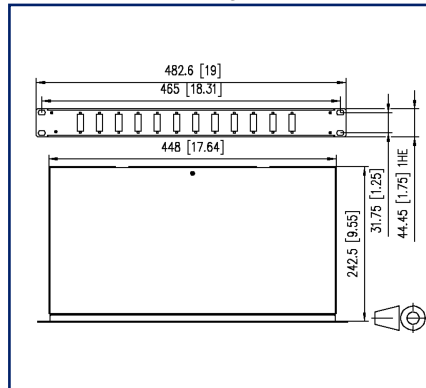
## Data sheet

### OpDAT fix patch panel splice 12xLC-D OM3, 12 front cover

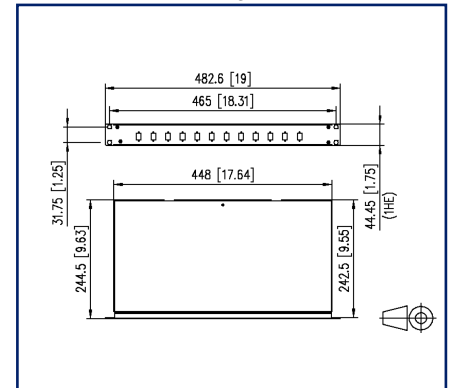
## Illustrations



Dimensional drawing



Dimensional drawing



See enlarged drawings at the end of document

## Product specification

- 19 inch 1RU fiber optic patch panel for fixed installation
- light aluminum construction with steel sheet front plate painted in RAL 7035
- equipped with LC-D adapters
- unused cutouts are closed by blank plugs
- removable front plate for easy adapter mounting
- screwed on cover for easy access during service work
- installation depth 240 mm (without cable gland and coupler)
- several possibilities for cable entry on the back (fastening with PG13.5, PG16 and PG21 or M20 and M25)
- Semi-tight buffered fiber dia. 0.9 mm, 12 colors, secondary and primary coating in the same color, length 2.0 m
- pigtails inserted and stripped in standard splice trays with crimp splice holders
- pigtails are cleaned and plugged in couplers
- Variants: equipped with 12 LC-D adapters, aqua (OM3)



# P | Cabling

Data sheet

Page 2/6

## OpDAT fix patch panel splice 12xLC-D OM3, 12 front cover

P/N

1502557712-F

EAN 4251122182914

2023/08/01

Version: E

### Technical Data

#### General Data

Fields of application	structured building cabling office areas data center
Mechanical measurement according to MICE	M1
Ingress measurement according to MICE	I1
Climatic measurement according to MICE	C1
Electromagnetic measurement according to MICE	E3
Design	patch panel
Mounting style	1RU
Transmission technology	Fiber optic
Port numbering	yes
Color	aqua
Dimensions	
Dimension (L x W x H)	244.5 mm x 482.6 mm x 44.45 mm
Dimension (L x W x H)	9.626 in. x 19 in. x 1.75 in.
Inches	19 inches
Height unit	1RU
Installation depth	243 mm
Installation depth	9.567 in.
Number of cables/ buffered fibers	24
Cable Type	pigtail(s)
Fiber class	OM3
Mode type of the fiber	Multimode
Fiber construction	50/125 µm
Labeling option	printed numbers

#### Connections/interfaces

Connector technology interface 1	LC-D Couplers
Connector technology interface 2	LC-D Couplers
Number of ports interface 1	24
Number of ports interface 2	24
Number of equipped ports interface 1	12
Number of ports interface 2 equipped	12
Number of ports with dust protection interface 2	12

# P | Cabling

Data sheet

Page 3/6

## OpDAT fix patch panel splice 12xLC-D OM3, 12 front cover

P/N

1502557712-F

EAN 4251122182914

2023/08/01

Version: E

### Technical Data

#### Connections/interfaces

Number of blind	12
Semi-tight buffered fiber pigtail length	2 m
Semi-tight buffered fiber pigtail length	6.56 ft
Semi-tight buffered fiber pigtail diameter	0.9 mm
Semi-tight buffered fiber pigtail diameter	0.035 in.
Cable access/outlet	several possibilities for cable entry on the back

#### Optical characteristics

Insertion loss	max. 0,4 dB
Return loss	min. 35 dB

#### Mechanical data

Cut-out	SC, LC-D, E2000
Connector type	duplex
Life - Number of mating cycles	min. 1000
strain relief	yes

#### Materials and material properties

Material - Housing	Al (Aluminium)
Material - Front cover	sheet steel
Material - Front cover finish	powder-coated
Material - Sleeve	ceramic, slotted
Material - Coupler housing	Plastics
Halogen free	yes
RoHS	compliant

#### Standards/Regulations

Optical fibers: Product specifications	
Sectional specification for category A1 multimode fibres	ISO/IEC 60793-2-10 (A1a.2)
Optical fibers - Interconnecting devices and passive components - basic test and measuring methods	
Fibre optic interconnecting devices and passive components - Insertion loss	IEC 61300-3-4
Fibre optic interconnecting devices and passive components - Return loss	IEC 61300-3-6
Fibre optic interconnecting devices and passive components - Visual inspection of plug end face	IEC 61300-3-35

# P | Cabling

Data sheet

Page 4/6

## OpDAT fix patch panel splice 12xLC-D OM3, 12 front cover

P/N

1502557712-F

EAN 4251122182914

2023/08/01

Version: E

### Technical Data

#### Standards/Regulations

Standard colours for insulation for low-frequency cables & wires	IEC 60304
--	-----------

#### Classifications

ETIM 5.0	EC001130
ETIM 6.0	EC001130
ETIM 7.0	EC001130
ETIM 8.0	EC001130
ETIM 9.0	EC001130

#### Packing details

Type of packaging	1 pc(s) / box
-------------------	---------------



# P | Cabling

Data sheet

Page 5/6

## OpDAT fix patch panel splice 12xLC-D OM3, 12 front cover

P/N

1502557712-F

EAN 4251122182914

2023/08/01

Version: E

### Accessories

P/N	Designation
1502500000-E	OpDAT PF/fix patch cord tray, gray

© 2023 METZ CONNECT - Technische Änderungen vorbehalten! Subject to modifications! Sous réserve de modifications techniques!



# P | Cabling

Data sheet

Page 6/6

## OpDAT fix patch panel splice 12xLC-D OM3, 12 front cover

P/N

1502557712-F

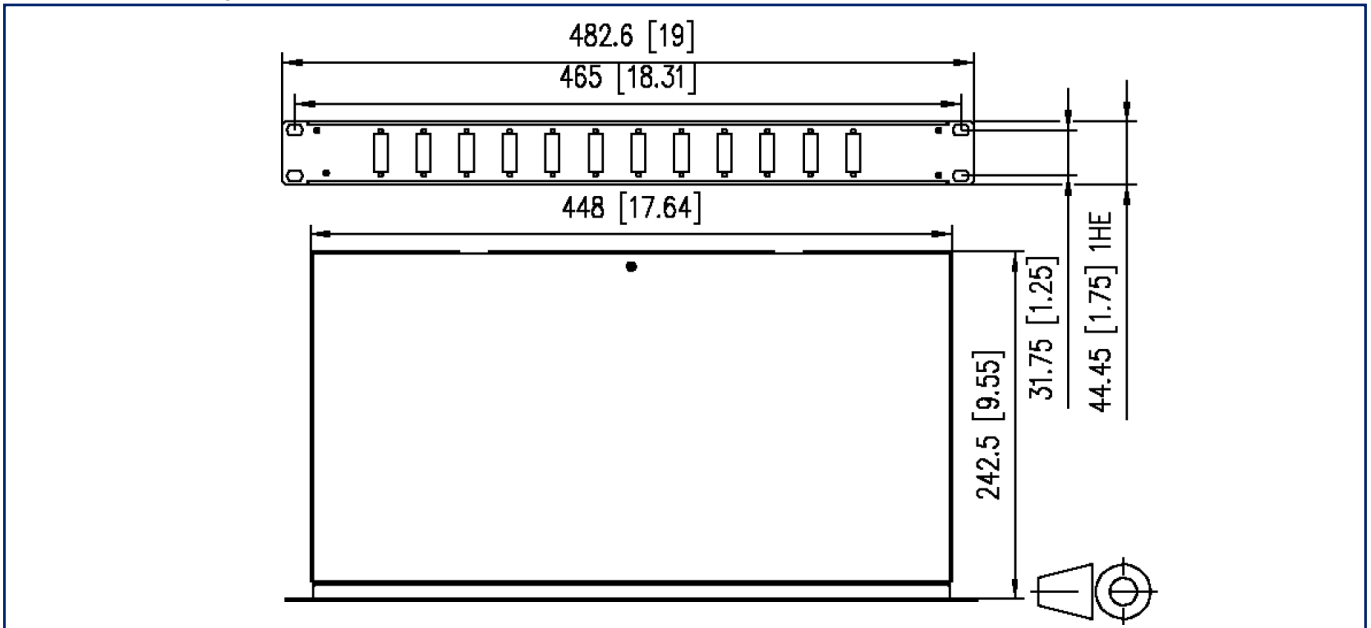
EAN 4251122182914

2023/08/01

Version: E

### Illustrations

Dimensional drawing



Dimensional drawing

