

Data sheet

OpDAT Wall-mounted distributor M 48x E2-S APC OS2 splice

Page 1/5

P/N

1503395948-E

EAN 4251394650913

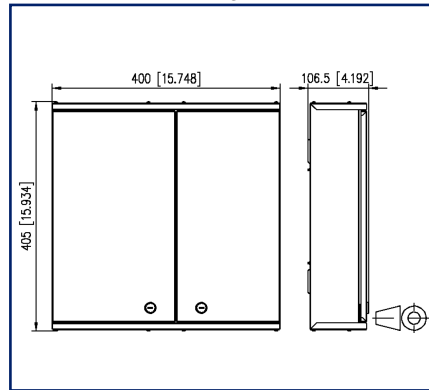
2023/04/26

Version: A

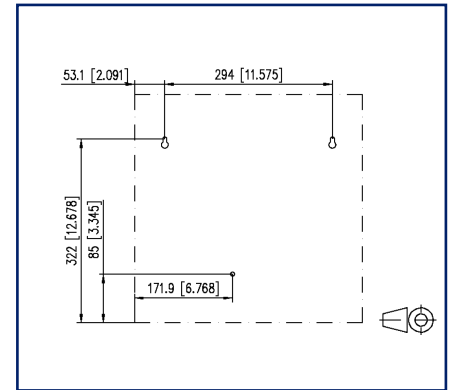
Illustrations



Dimensional drawing



Drill pattern



See enlarged drawings at the end of document

Product specification

- distributor for universal use in floor cabling or as a building distribution point in the equipment room
- equipped with E2-S APC-adapters and pigtails
- pigtails inserted and stripped in standard splice tray with crimp splice holders
- unused openings are closed by blind plugs
- wall-mount housing with two lockable swing doors, two different locks to separate network and building cabling
- easy, space saving wall mounting
- easy access possibilities and a secure routing of the pigtails
- four cable infeeds (scope of supply): 2x for M20/PG16, 2x for patch cords
- variants: size S: 305x300x107 mm or size M: 405x400x107 mm

OpDAT Wall-mounted distributor M 48xE2-S APC OS2 splice

P/N

1503395948-E

EAN 4251394650913

2023/04/26

Version: A

Technical Data

General Data

Fields of application	structured building cabling office areas data center
Mechanical measurement according to MICE	M1
Ingress measurement according to MICE	I1
Climatic measurement according to MICE	C1
Electromagnetic measurement according to MICE	E3
Design	Wall-mounted distributor
Mounting style	AP
Transmission technology	Fiber optic
Port numbering	yes
Color	green
Dimensions	
Dimension (L x W x H)	106.5 mm x 400 mm x 405 mm
Dimension (L x W x H)	4.193 in. x 15.748 in. x 15.945 in.
Cable Type	pigtail(s)
Fiber class	OS2
Mode type of the fiber	Singlemode
Fiber construction	9/125 µm
Labeling option	printed numbers

Connections/interfaces

Connector technology interface 1	E2000-S Couplers
Connector technology interface 2	E2000-S Couplers
Number of ports interface 1	48
Number of ports interface 2	48
Number of equipped ports interface 1	48
Number of ports interface 2 equipped	48
Cable access/outlet	from top or bottom

OpDAT Wall-mounted distributor M 48xE2-S APC OS2 splice

P/N

1503395948-E

EAN 4251394650913

2023/04/26

Version: A

Technical Data

Mechanical data

Cut-out	SC, LC-D, E2000
Connector type	simplex

Materials and material properties

Material - Housing	sheet steel
Material - Housing finish	powder-coated
Material - Front cover	sheet steel
Material - Front cover finish	powder-coated
Material - Sleeve	ceramic, slotted
Material - Coupler housing	Plastics
Halogen free	yes
RoHS	compliant

Standards/Regulations

Optical fibers: Indoor optical cables

Sectional specification for class B single-mode fibres ISO/IEC 60793-2-50 type B.1.3 & B6_a

Optical fibers - Interconnecting devices and passive components - basic test and measuring methods

Fibre optic interconnecting devices and passive components IEC 61300-3-4

Fibre optic interconnecting devices and passive components IEC 61300-3-6

Fibre optic interconnecting devices and passive components IEC 61300-3-35

Standard colours for insulation for low-frequency cables & wires IEC 60304

ITU-T standard ITU-T G.657.A1 compatible with ITU-T G.652.D

Classifications

ETIM 7.0	EC001130
ETIM 8.0	EC001130
ETIM 9.0	EC001130

Packing details

Type of packaging	1 pc(s) / box
-------------------	---------------

OpDAT Wall-mounted distributor M 48xE2-S APC OS2 splice

P/N

1503395948-E

EAN 4251394650913

2023/04/26

Version: A

Accessories

P/N	Designation
15032Z089-E	OpDAT WV rotary bolt
15033Z001-E	Cable infeed for 4xM20 for OpDAT Wall-mounted distributor M
15033Z002-E	Cable infeed for 2xM20 and 4xM2 for OpDAT Wall-mounted distributor M
15033Z003-E	Cable infeed for 3xM25 for OpDAT Wall-mounted distributor M
15033Z004-E	Cable infeed for three mounting plates VIK for OpDAT Wall-mounted distributor M
15033Z005-E	Cable infeed for patch cords for OpDAT Wall-mounted distributor M
15033Z006-E	
15033Z007-E	Brush strip without single cable catch for OpDAT Wall-mounted distributor M
15090200-E	OpDAT cover for splice tray



P | Cabling

Data sheet

Page 5/5

OpDAT Wall-mounted distributor M 48xE2-S APC OS2 splice

P/N

1503395948-E

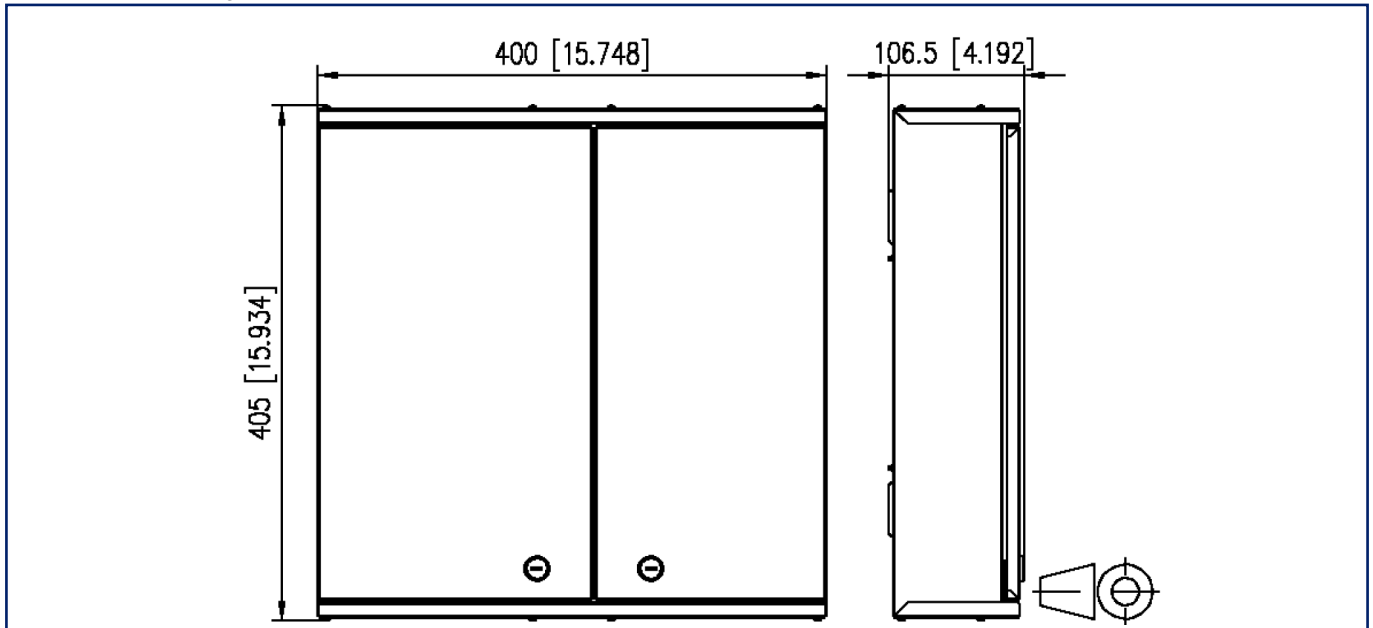
EAN 4251394650913

2023/04/26

Version: A

Illustrations

Dimensional drawing



Drill pattern

