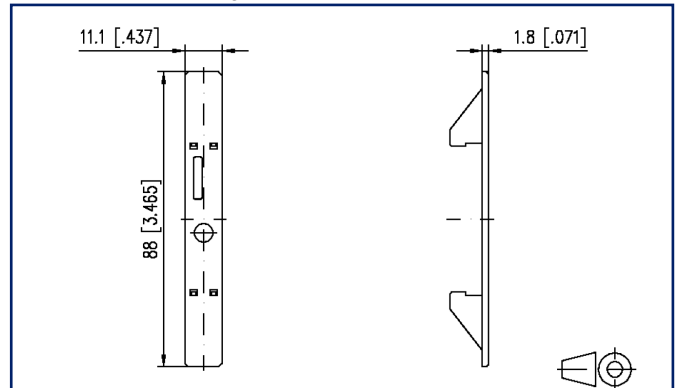


Illustrations

Dimensional drawing



See enlarged drawings at the end of document

Product specification

The labeling plate was designed especially for coupling modules with spring-clamp terminal blocks of the series F8 and F10. Great importance was attached to an area for the device tag and one for identification.

- Material: ABS, transparent



C | Logline

Data sheet
Labeling plate

Page 2/4

P/N
110729
EAN 4250184123217
2023/06/20
Version: B

Technical Data

Material

Color transparent

Classifications

| | |
|----------|----------|
| ETIM 7.0 | EC002617 |
| ETIM 8.0 | EC002617 |
| ETIM 9.0 | EC002617 |



Accessories from

| P/N | Designation |
|----------|---|
| 11070013 | KRA-F8/21, 1 changeover contact (SPST), 24 V AC/DC |
| 11070213 | KRA-F10/21-21, 2 changeover contacts, 24 V AC/DC |
| 11070613 | KRA-S-F8/21, 1 changeover contact (SPST), 24 V AC/DC |
| 11070713 | KRA-S-F10/21-21, 2 changeover contacts, 24 V AC/DC |
| 11070813 | KRA-SR-F10/21, 1 changeover contact (SPST), 24 V AC/DC |
| 11071013 | KRA-SRA-F10/21, 1 changeover contact (SPST), 24 V AC/DC |
| 110720 | PV10 F10 |



Illustrations

Dimensional drawing

