

Data sheet**Labeling plate for KMA-F8**

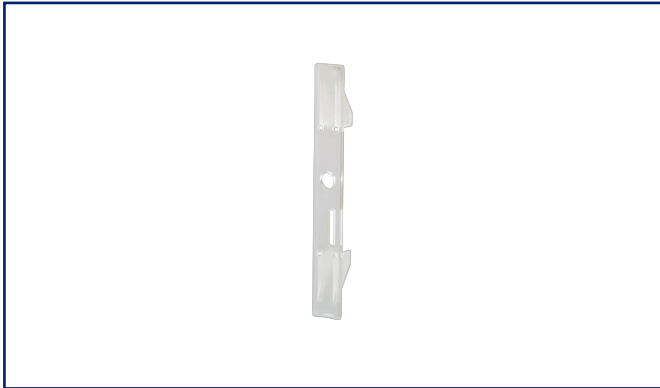
Page 1/4

P/N
110727

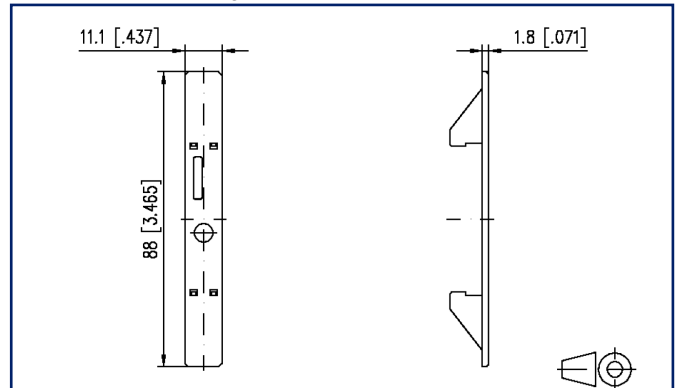
EAN 4250184123194

2023/06/23

Version: B

Illustrations

Dimensional drawing



See enlarged drawings at the end of document

Product specification

The labeling plate was designed especially for analog encoders with spring-clamp terminals. Great importance was attached to an area for the device tag and one for identification.

- Material: ABS, transparent



Technical Data

Material

Color transparent

Classifications

ETIM 7.0 EC002617

ETIM 8.0 EC002617



C | Logline

Data sheet

Page 3/4

Labeling plate for KMA-F8

P/N

110727

EAN 4250184123194

2023/06/23

Version: B

Accessories from

P/N	Designation
110730	KMA-F8
110731	KMAi-F8



Illustrations

Dimensional drawing

