

Data sheet
Mounting bracket HWR

Page 1/5

P/N
110146

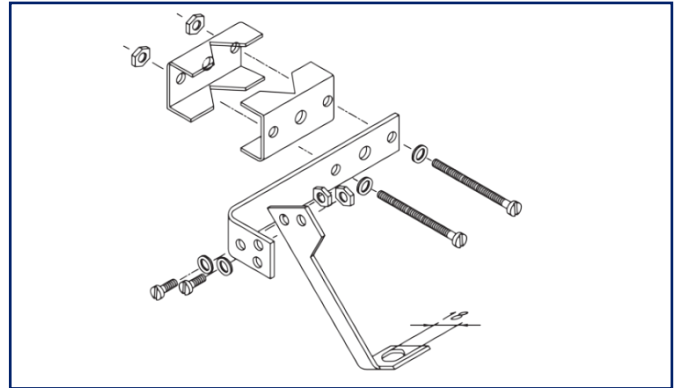
EAN 4250184120278

2023/06/20

Version: B

Illustrations

Principle diagram



See enlarged drawings at the end of document

Product specification

To fasten sensors with max. diameters of 18 mm. For universal mounting. An auxiliary cam for shafts with diameters of up to 25 - 40 mm is included in the delivery.



Data sheet Mounting bracket HWR

Page 2/5

P/N
110146

EAN 4250184120278

2023/06/20

Version: B

Technical Data

Material

Color silver

Classifications

ETIM 7.0 EC002622

ETIM 8.0 EC002622

ETIM 9.0 EC002622

Accessories

P/N	Designation
895604	Auxiliary cam for shafts up to 80 mm

© 2023 METZ CONNECT - Technische Änderungen vorbehalten! Subject to modifications! Sous réserve de modifications techniques!



Accessories from

P/N	Designation
1101500522	DRIW-E16, 230 V AC
1101501322	DRIW-E16, 24 V AC/DC



Illustrations

Principle diagram

