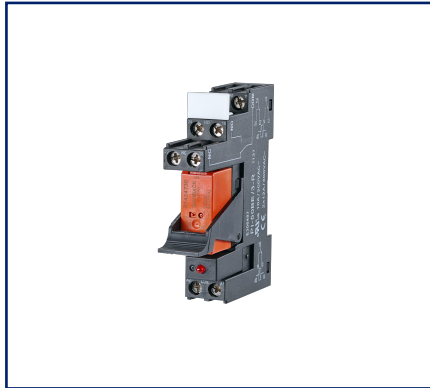
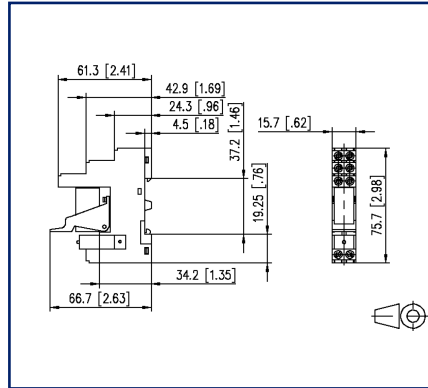


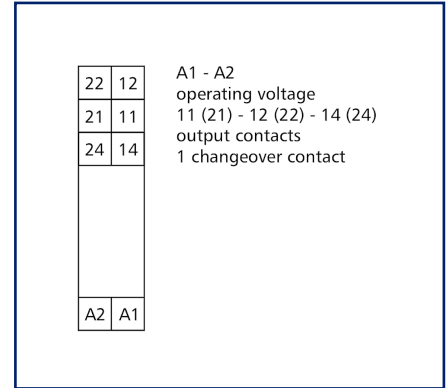
Illustrations



Dimensional drawing



Wiring diagram



See enlarged drawings at the end of document

Product specification

Relay module for large loads such as lamp loads, motors and drives for electrical isolation between logic and load.

- Connection with screw-type terminals
- Socket 3 storeys
- Pluggable relay
- With labeling field, socket, bracket and LED-module
- Variants: 24 V AC or 230 V AC

Technical Data

Supply	
Operating voltage	230 V AC
Power consumption (max.)	7 mA
Power consumption coil	32.5 kOhm
Nominal power coil	0.76 VA
Outputs	
Contacts	1 changeover contact
Contact material	AgNi 90/10
Switching voltage (max.)	250 V AC
Switching load (min.)	5 V DC / 10 mA
Switching capacity AC-1	4000 VA
Switch-on current	30 A
Continuous Current	16 A
Switching frequency	360 switching cycles/h
Breaking capacity (resistive load)	
Mechanical life	10x10 ⁶ switching cycles
Electrical life	1x10 ⁵ switching cycles
Test voltage coil / contact	5,000 V _{eff}
Test voltage open contact	1,000 V _{eff}
Indicator	red LED
Insulation coil - contact set	
Nominal voltage of the power supply system	230 / 400 V AC
Overvoltage category	III II
Degree of pollution	2 2
Rated test voltage	4 kV 2.5 kV
Type of insulation	basic insulation reinforced insulation
Housing	
Dimensions	
Dimension (W x H x D)	15.5 mm x 75 mm x 65 mm
Dimension (W x H x D)	0.61 in. x 2.953 in. x 2.559 in.
Weight	95 g
Mounting style	Standard rail TH35
Mounting position	any

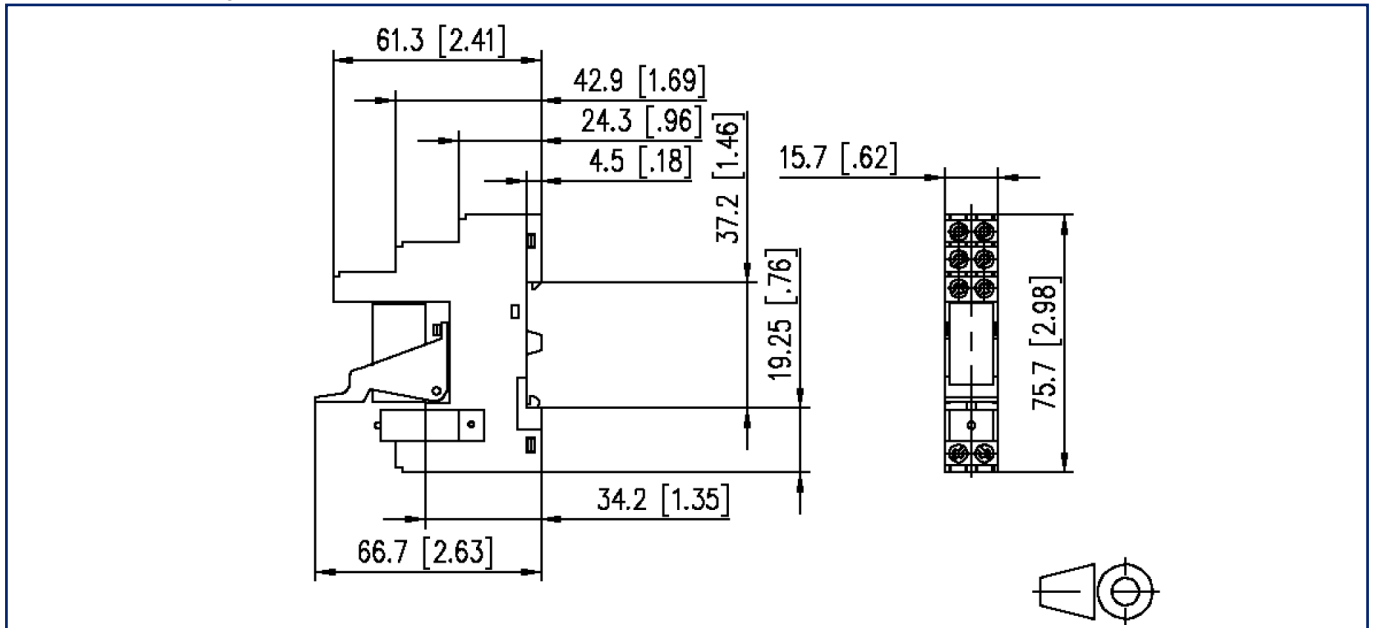
Technical Data

Housing	
Apposition	without distance
Connection type	Screw type terminal blocks
Terminal blocks	
Wire cross section solid	0.2 mm ² - 2.5 mm ² / AWG 22-12
Wire cross section multi	0.25 mm ² - 2.5 mm ² / AWG 22-12
Wire cross section with wire ferrule	0.25 mm ² - 2.5 mm ² / AWG 22-12
Screw torque (max.)	0.5 Nm
Stripping length (min.)	8 mm
Material	
Color	black
Temperature range	
Operating	
Temperature - Operating °C	-20 °C - 55 °C
Temperature - Operating °F	-4 °F - 131 °F
Storage	
Temperature - Storage °C	-25 °C - 70 °C
Temperature - Storage °F	-13 °F - 158 °F
Power loss	
Power loss (typical)	2.45 W
Classifications	
ETIM 6.0	EC000310
ETIM 7.0	EC001437
ETIM 8.0	EC001437
ETIM 9.0	EC001437

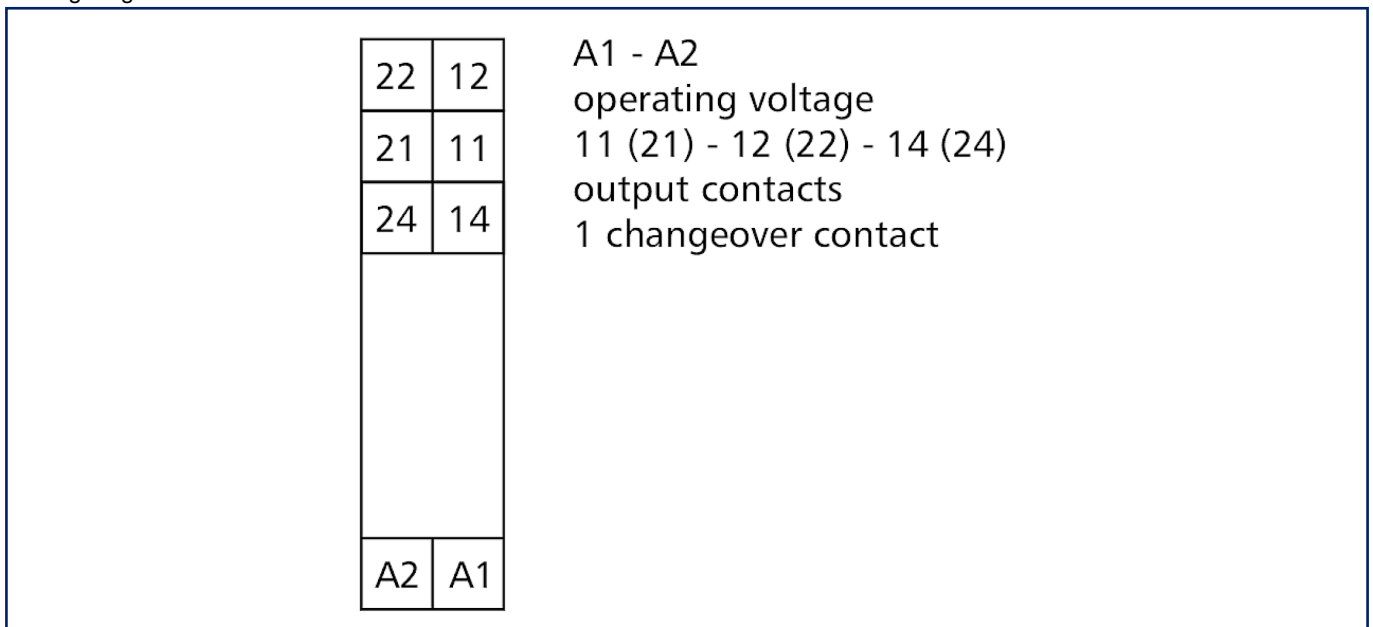
© 2023 METZ CONNECT - Technische Änderungen vorbehalten! Subject to modifications! Sous réserve de modifications techniques!

Illustrations

Dimensional drawing



Wiring diagram



Illustrations

Circuit diagram

