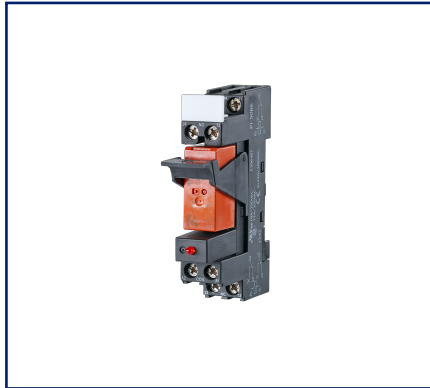
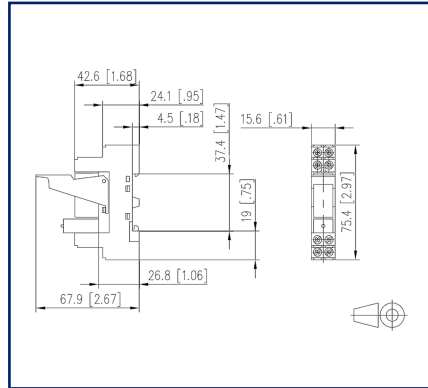


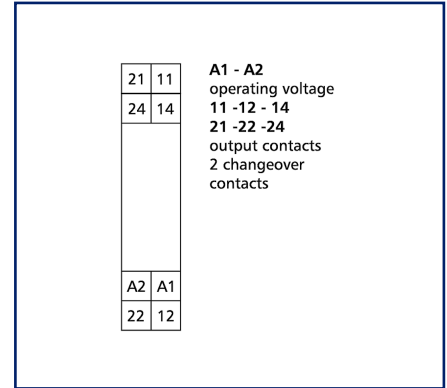
Illustrations



Dimensional drawing



Wiring diagram



See enlarged drawings at the end of document

Product specification

Relay module for electrical isolation between logic and load.

- Connection with screw-type terminals
- pluggable relay
- with labeling field

Technical Data

Supply

Operating voltage	24 V DC
Power consumption (max.)	17 mA
Power consumption coil	1.44 kOhm
Nominal power coil	0.4 W

Outputs

Contacts	2 changeover contacts
Contact material	AgNi 90/10
Switching voltage (max.)	250 V AC
Switching load (min.)	5 V DC / 10 mA
Switching capacity AC-1	2000 VA
Switch-on current	15 A
Continuous Current	8 A
Switching frequency	360 switching cycles/h
Breaking capacity (resistive load)	
Mechanical life	30x10 ⁶ switching cycles
Electrical life	1x10 ⁶ switching cycles
Test voltage coil / contact	5,000 V _{eff}
Test voltage open contact	1,000 V _{eff}
Indicator	red LED

Insulation coil - contact set

Nominal voltage of the power supply system	230 / 400 V AC
Overvoltage category	III II
Degree of pollution	2 2
Rated test voltage	4 kV 2.5 kV
Type of insulation	basic insulation reinforced insulation

Housing

Dimensions	
Dimension (W x H x D)	15.5 mm x 75 mm x 65 mm
Dimension (W x H x D)	0.61 in. x 2.953 in. x 2.559 in.
Weight	95 g
Mounting style	Standard rail TH35
Mounting position	any

Technical Data

Housing	
Apposition	without distance
Connection type	Screw type terminal blocks
Terminal blocks	
Wire cross section solid	0.2 mm ² - 2.5 mm ² / AWG 22-12
Wire cross section multi	0.25 mm ² - 2.5 mm ² / AWG 22-12
Wire cross section with wire ferrule	0.25 mm ² - 2.5 mm ² / AWG 22-12
Screw torque (max.)	0.5 Nm
Stripping length (min.)	8 mm
Material	
Color	black
Temperature range	
Operating	
Temperature - Operating °C	-20 °C - 55 °C
Temperature - Operating °F	-4 °F - 131 °F
Storage	
Temperature - Storage °C	-25 °C - 70 °C
Temperature - Storage °F	-13 °F - 158 °F
Power loss	
Power loss (typical)	2.3 W
Classifications	
ETIM 6.0	EC000310
ETIM 7.0	EC001437
ETIM 8.0	EC001437
ETIM 9.0	EC001437

© 2023 METZ CONNECT - Technische Änderungen vorbehalten! Subject to modifications! Sous réserve de modifications techniques!

C | Logline

Data sheet
RM 21-21 24 V DC

Page 4/6

P/N
11050725

EAN 4250184122272

2023/06/19

Version: B

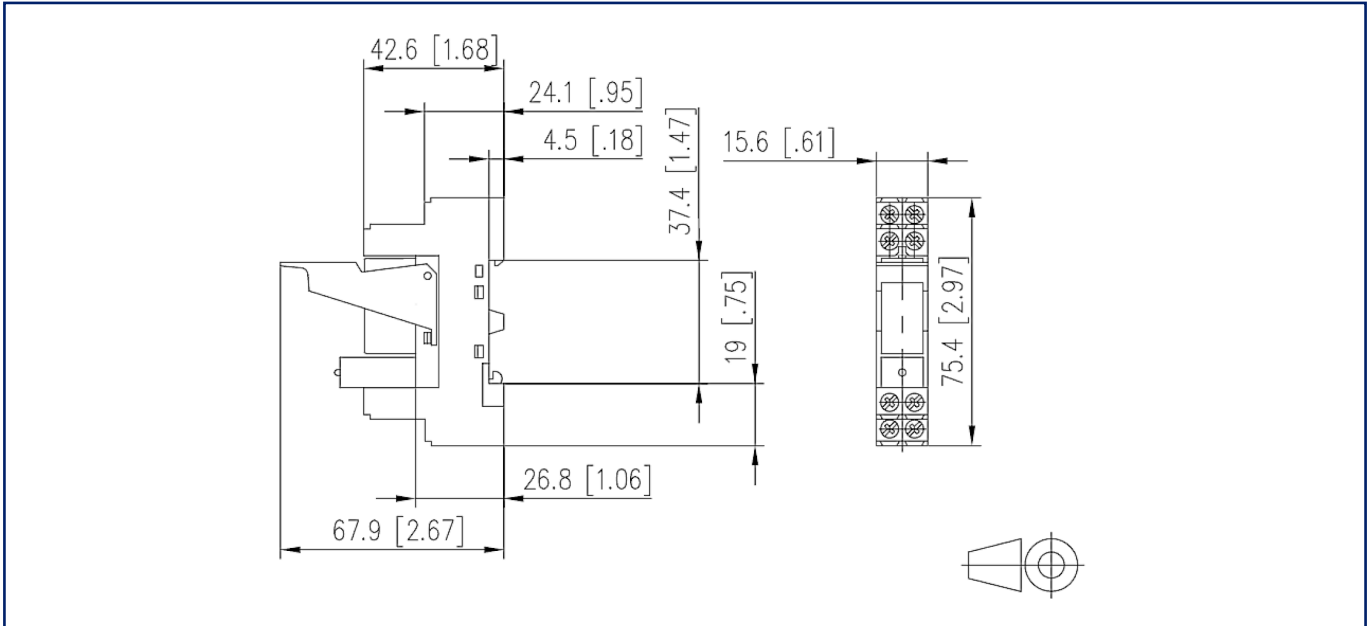
Accessories

P/N	Designation
11017905	RC Module 230 V AC
11017910	RC Module 24 V AC

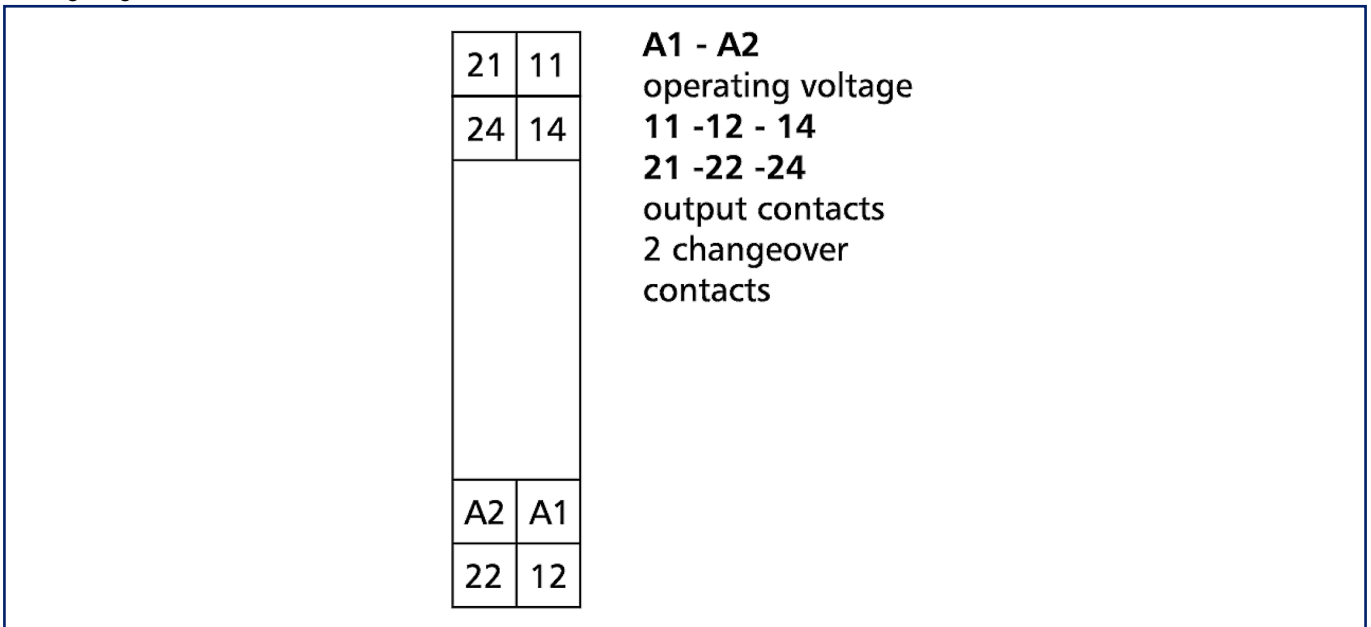


Illustrations

Dimensional drawing



Wiring diagram



Illustrations

Circuit diagram

