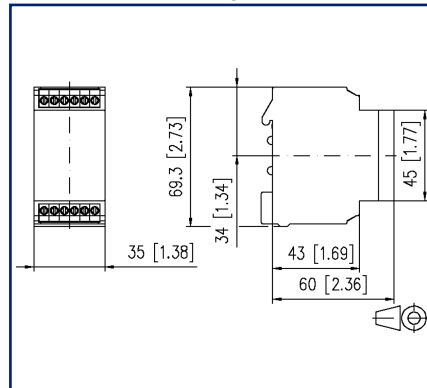


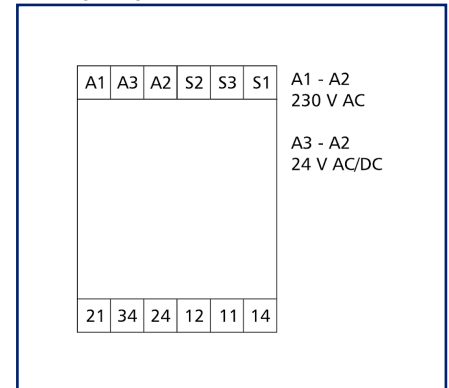
Illustrations



Dimensional drawing



Wiring diagram



See enlarged drawings at the end of document

Product specification

When a fault message is applied, an alarm signal, a flashing signal and a horn relay are activated. The horn relay can be switched off by means of the incorporated pushbutton or an externally applied signal. An active alarm signal is shown as long as it is applied.

- acknowledgeable horn output
- Connection with screw-type terminals

Technical Data

Supply	
Operating voltage	24 V AC/DC, 230 V AC -10% ... +10%
Power consumption (max.)	60 mA
Duty cycle relative	100 %
Recovery time	< 100 ms
Outputs	
Contacts	3 relay contacts
Contact material	AgSnO ₂
Switching voltage (max.)	250 V AC
Continuous Current	4 A
Switching frequency	360 switching cycles/h
Breaking capacity (resistive load)	
Mechanical life	1x10 ⁷ switching cycles
Electrical life	1x10 ⁵ switching cycles
Indicator	yellow LED
Insulation coil - contact set	
Nominal voltage of the power supply system	230 / 400 V AC
Overvoltage category	III II
Degree of pollution	2 2
Rated test voltage	4 kV 2.5 kV
Type of insulation	basic insulation reinforced insulation
Housing	
Dimensions	
Dimension (W x H x D)	35 mm x 69.3 mm x 60 mm
Dimension (W x H x D)	1.378 in. x 2.728 in. x 2.362 in.
Weight	70 g
Mounting style	Standard rail TH35
Mounting position	any
Apposition	without distance
Connection type	Screw type terminal blocks

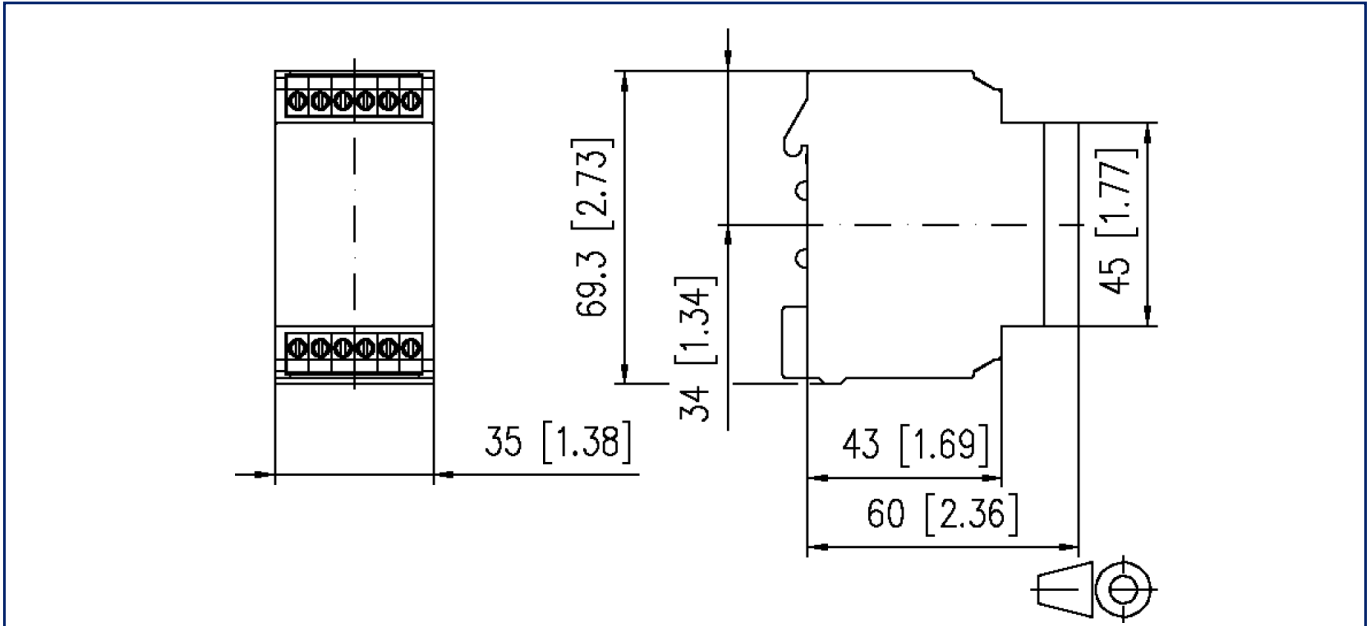
Technical Data

Terminal blocks	
Wire cross section solid	0.34 mm ² - 2.5 mm ² / AWG 22-12
Wire cross section multi	0.34 mm ² - 2.5 mm ² / AWG 22-12
Wire cross section with wire ferrule	0.34 mm ² - 2.5 mm ² / AWG 22-12
Screw torque (max.)	0.5 Nm
Stripping length (min.)	8 mm
Material	
Material - Housing	Polyamid 6.6 V0
Color	gray
Material - Terminal block	Polyamid 6.6 V0
Protection category according to IEC 60529	
Protection category - housing (acc. to IEC 60529)	IP40
Protection category - terminal blocks (acc. to IEC 60529)	IP20
Temperature range	
Operating	
Temperature - Operating °C	0 °C - 55 °C
Temperature - Operating °F	32 °F - 131 °F
Storage	
Temperature - Storage °C	-25 °C - 70 °C
Temperature - Storage °F	-13 °F - 158 °F
Classifications	
ETIM 6.0	EC000310
ETIM 7.0	EC000683
ETIM 8.0	EC000683
ETIM 9.0	EC000683

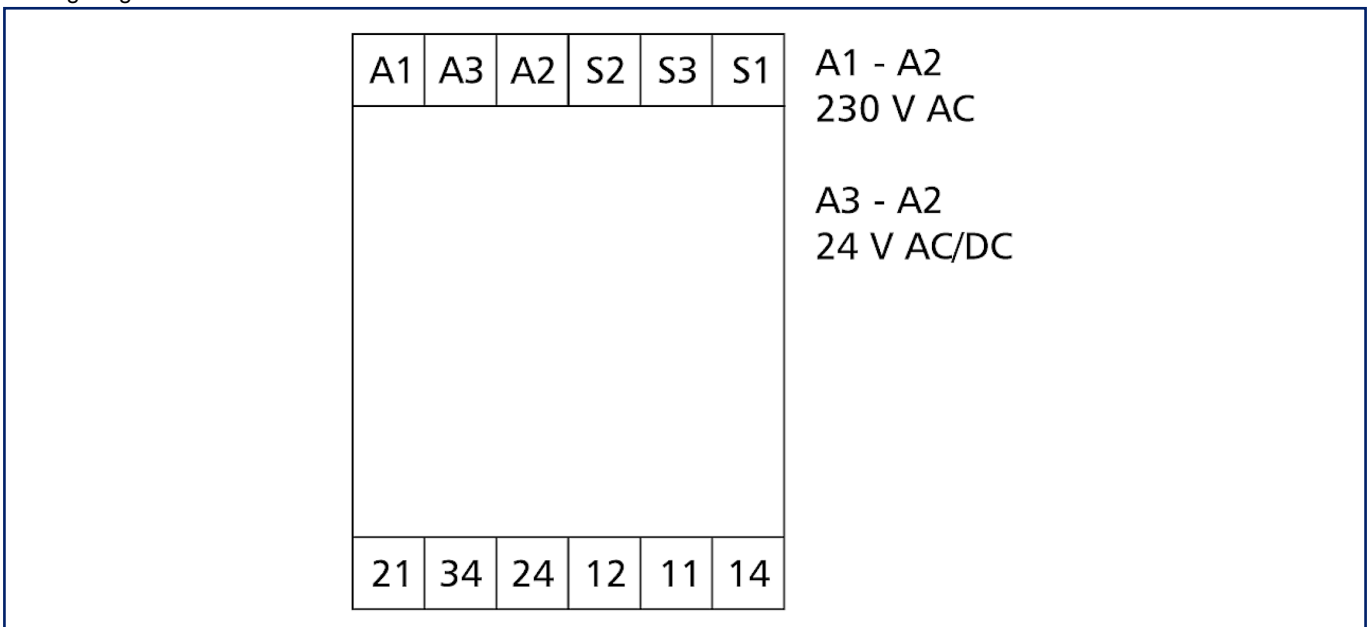


Illustrations

Dimensional drawing

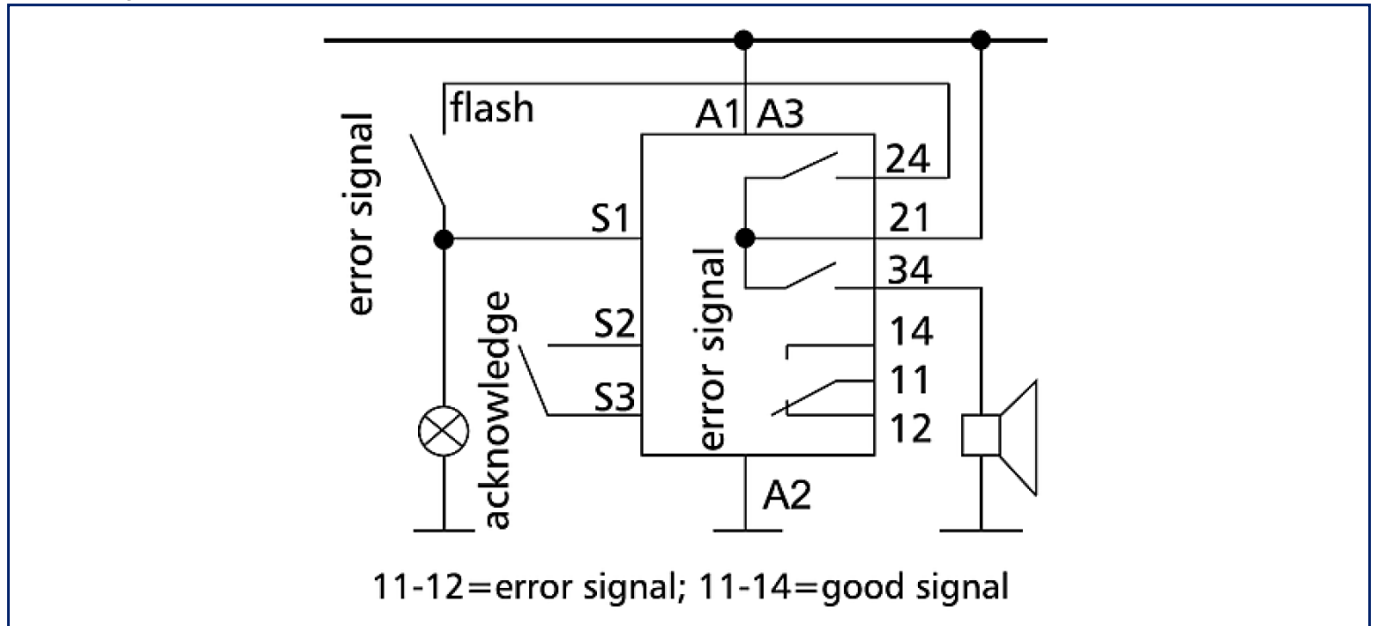


Wiring diagram



Illustrations

Circuit diagram



Function diagram

