

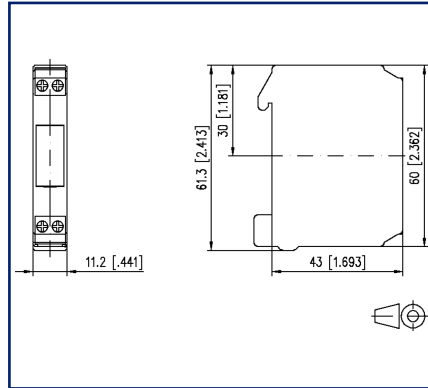
# Data sheet

## KRA-M4/1, 1 normally open contact (SPST-NO), 230 V AC

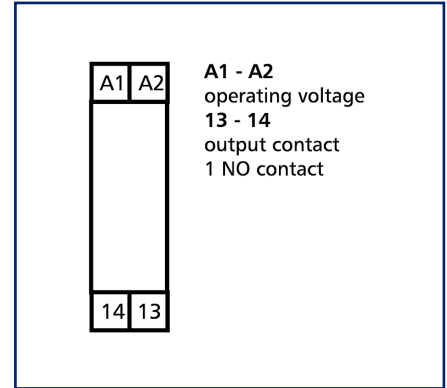
### Illustrations



Dimensional drawing



Wiring diagram



See enlarged drawings at the end of document

### Product specification

Coupling devices are used to secure electrical isolation between logic and load.

- Connection with screw-type terminals
- closed compact series
- integrated protective circuit
- safe separation



### Technical Data

Supply	
Operating voltage	230 V AC -10% ... +10%
Power consumption (max.)	5 mA
Response time typical	10 ms
Release time typical	5 ms
Outputs	
Contacts	1 normally open contact
Contact material	AgSnO <sub>2</sub>
Switching voltage (max.)	250 V AC/DC
Switch-on current	8 A
Continuous Current	6 A
Switching frequency	600 switching cycles/h
Breaking capacity (resistive load)	
Mechanical life	2x10 <sup>7</sup> switching cycles
Electrical life	1x10 <sup>5</sup> switching cycles
Indicator	red LED
Insulation coil - contact set	
Nominal voltage of the power supply system	230 / 400 V AC
Overvoltage category	III   II
Degree of pollution	2   2
Rated test voltage	4 kV   2.5 kV
Type of insulation	basic insulation   reinforced insulation
Housing	
Dimensions	
Dimension (W x H x D)	11.2 mm x 61.3 mm x 43 mm
Dimension (W x H x D)	0.441 in. x 2.413 in. x 1.693 in.
Weight	45 g
Mounting style	Standard rail TH35
Mounting position	any
Apposition	without distance
Connection type	Screw type terminal blocks

### Technical Data

Terminal blocks	
Wire cross section solid	0.2 mm <sup>2</sup> - 2.5 mm <sup>2</sup> / AWG 22-12
Wire cross section multi	0.25 mm <sup>2</sup> - 2.5 mm <sup>2</sup> / AWG 22-12
Wire cross section with wire ferrule	0.25 mm <sup>2</sup> - 2.5 mm <sup>2</sup> / AWG 22-12
Screw torque (max.)	0.5 Nm
Stripping length (min.)	8 mm
Material	
Material - Housing	Polyamid 6.6 V0
Color	gray
Material - Terminal block	Polyamid 6.6 V0
Protection category according to IEC 60529	
Protection category - housing (acc. to IEC 60529)	IP40
Protection category - terminal blocks (acc. to IEC 60529)	IP20
Temperature range	
Operating	
Temperature - Operating °C	-20 °C - 55 °C
Temperature - Operating °F	-4 °F - 131 °F
Storage	
Temperature - Storage °C	-25 °C - 70 °C
Temperature - Storage °F	-13 °F - 158 °F
Power loss	
Power loss (typical) coil	300 mW
Power loss (typical) Contact rate	500 mW
Classifications	
ETIM 6.0	EC001437
ETIM 7.0	EC001437
ETIM 8.0	EC001437
ETIM 9.0	EC001437

# C | Logline

Data sheet

Page 4/6

**KRA-M4/1, 1 normally open contact (SPST-NO), 230 V AC**

P/N

**11061305**

**EAN 4250184122586**

2023/06/19

Version: B

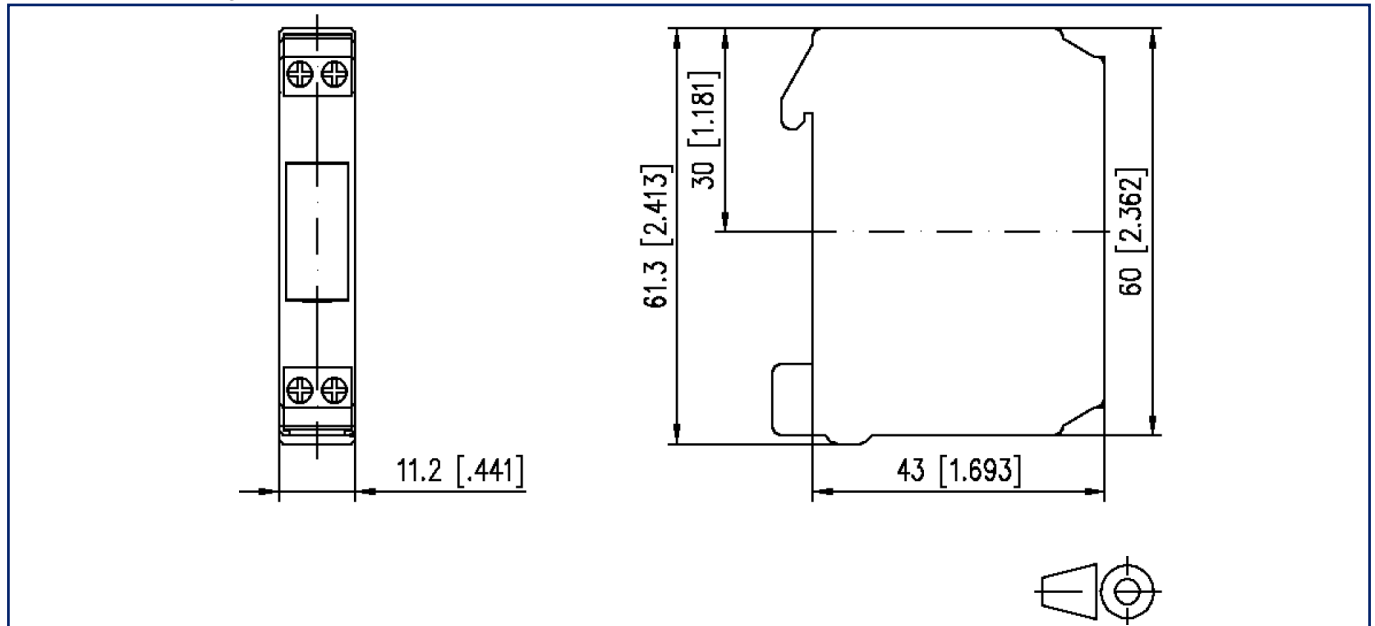
## Accessories

P/N	Designation
820234-01-9	Labeling plate white
850349-02	Connecting bridge, 10 pole

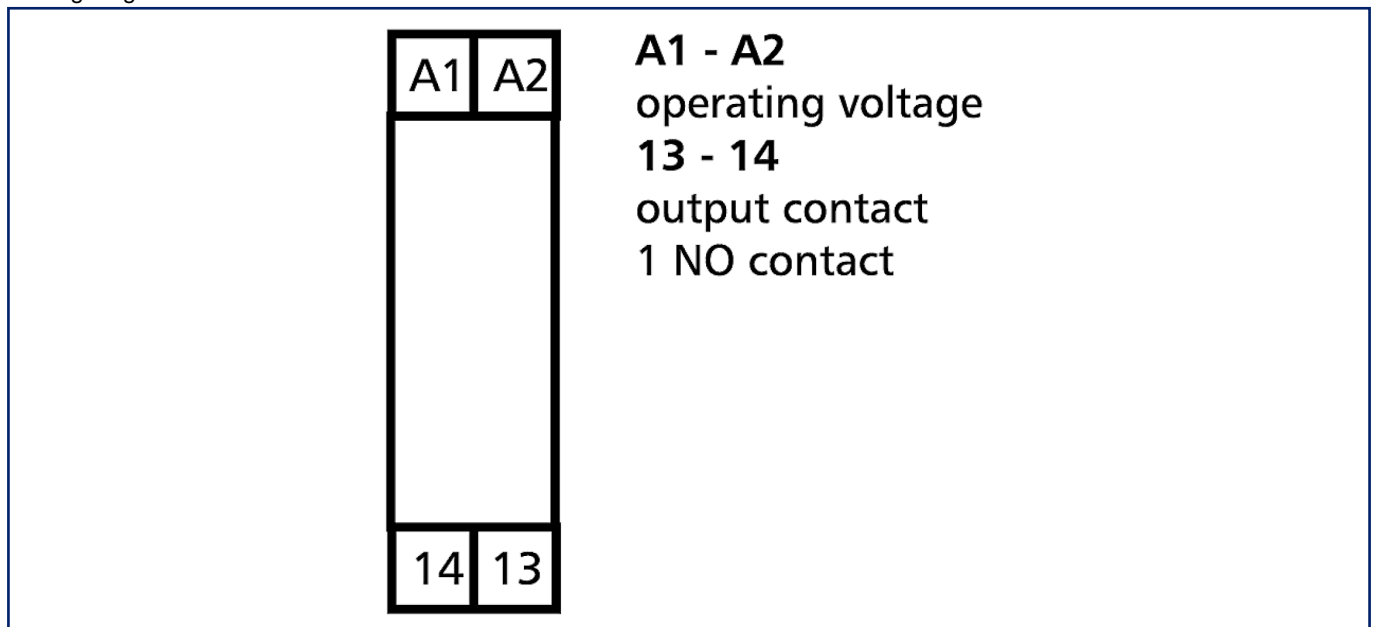


### Illustrations

Dimensional drawing



Wiring diagram



**Illustrations**

Circuit diagram

