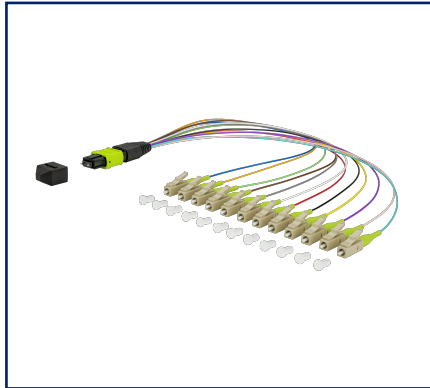


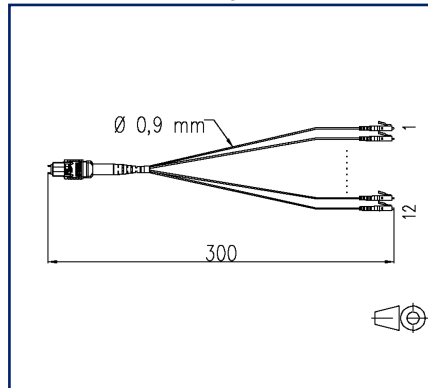
Data sheet

OpDAT Ader-Fanout MTP-M/12xLC-S OM5, 0.3 m

Illustrations



Dimensional drawing



Principle diagram



See enlarged drawings at the end of document

Product specification

- Wire fanout with 12 OM5 fibers, assembled with one MPO/MTP® connector and 12 LC simplex connectors.
- Male connector (with pins) as standard. Variants with female connector (without pins) are possible.
- available in assignment variants polarity A
- suitable for transmissions of e.g. 100 Gbit/s (depending on transceiver technology)
- wire diameter Ø 0.9 mm, color-coded according to TIA/EIA 598
- Fiber type: Bend-resistant multimode fiber, G50/125 µm, OM5 (IEC 11801), IEC 60793-2-10 A1a.4, ITU-T G.651.1.
- 100 % tested for insertion loss, return loss and end face geometry
- all patch cords are provided with serial number, barcode and measurement protocol
- all available variants can be created with the MTP® configurator
- MTP® is a registered trademark of US Conec Ltd., USA



Technical Data

General Data

| | |
|---|-----------------------------------|
| Fields of application | data center |
| Mechanical measurement according to MICE | M1 |
| Ingress measurement according to MICE | I1 |
| Climatic measurement according to MICE | C1 |
| Electromagnetic measurement according to MICE | E3 |
| Design | Wire Fanout |
| Transmission technology | Fiber optic |
| Color | lime green |
| Color coding fiber/ wire(s) | EIA/TIA 598 |
| Dimensions | |
| Dimension (L x W x H) | 31.9 mm x 4.47 mm x 4.47 mm |
| Dimension (L x W x H) | 1.256 in. x 0.176 in. x 0.176 in. |
| Mode type of the fiber | Multimode |
| Fiber class | OM5 |
| Cable Type | Wire Fanout |
| Number of cables/ buffered fibers | 12 |
| Number of fibres each cable/ wire | 1 |
| Shape | PC (Physical Contact) |
| Fiber construction | 9/125 µm |
| Cable length (m) | 0.3 m |

Transmission characteristics

| | |
|--|-----|
| Transmission rate up to 100 MBit (Fast Ethernet) | yes |
| Transmission rate up to 1 GBit (Fast Ethernet) | yes |
| Transmission rate up to 10 GBit | yes |
| Transmission rate up to 100 GBit | ja |

Connections/interfaces

| | |
|----------------------------------|--------------------------|
| Connector technology interface 1 | MPO - Polarity, method A |
| Connector technology interface 2 | LC |
| Primary coating diameter | 0.25 mm |
| Primary coating diameter | 0.01 in. |
| Secondary coating diameter | 0.9 mm |

P | Cabling

Data sheet

Page 3/5

OpDAT Ader-Fanout MTP-M/12xLC-S OM5, 0.3 m

P/N

151R5TMJO03A

EAN 4251394656250

2023/06/16

Version: D

Technical Data

Connections/interfaces

| | |
|----------------------------|-----------|
| Secondary coating diameter | 0.035 in. |
| Ferrule diameter | 1.25 mm |
| Ferrule diameter | 0.049 in. |

Optical characteristics

| | |
|----------------|--------------|
| Insertion loss | max. 0,35 dB |
| Return loss | min. 20 dB |

Mechanical data

| | |
|--------------------------------|-----------|
| Connector type | simplex |
| Insertion and withdrawal force | min. 5 N |
| Minimum bending radius | 7.5 mm |
| Minimum bending radius | 0.295 in. |

Materials and material properties

| | |
|--------------------|-----------|
| Bend insensitivity | yes |
| Halogen free | yes |
| RoHS | compliant |

Environmental conditions

| | |
|-------------------------------|----------------|
| Temperature (min. - max.) | |
| Temperature - Operating °C | -10 °C - 60 °C |
| Temperature - Operating °F | 14 °F - 140 °F |
| Temperature - Installation °C | -15 °C - 45 °C |
| Temperature - Installation °F | 5 °F - 113 °F |

Standards/Regulations

| | |
|---|------------------------------|
| Generic cabling systems | |
| General requirements | ISO/IEC 11801 DIN EN 50173 |
| FOCIS - Fiber Optic Connector Intermateability Standard | ANSI/TIA-604-5-D |
| Optical fibers: Indoor optical cables | |
| Family specification for multi-fibre optical cables | ISO/IEC 60794-2-20 |

P | Cabling

Data sheet

Page 4/5

OpDAT Ader-Fanout MTP-M/12xLC-S OM5, 0.3 m

P/N

151R5TMJO03A

EAN 4251394656250

2023/06/16

Version: D

Technical Data

Standards/Regulations

Optical fibers - Interconnecting devices and passive components - basic test and measuring methods

Fibre optic interconnecting devices and passive components - Visual inspection of plug end face IEC 61300-3-4 | IEC 61300-3-6

Classifications

ETIM 7.0 EC000748

ETIM 8.0 EC000748

ETIM 9.0 EC000748

Packing details

Type of packaging 1 pc(s) / plastic bag

P | Cabling

Data sheet

Page 5/5

OpDAT Ader-Fanout MTP-M/12xLC-S OM5, 0.3 m

P/N

151R5TMJO03A

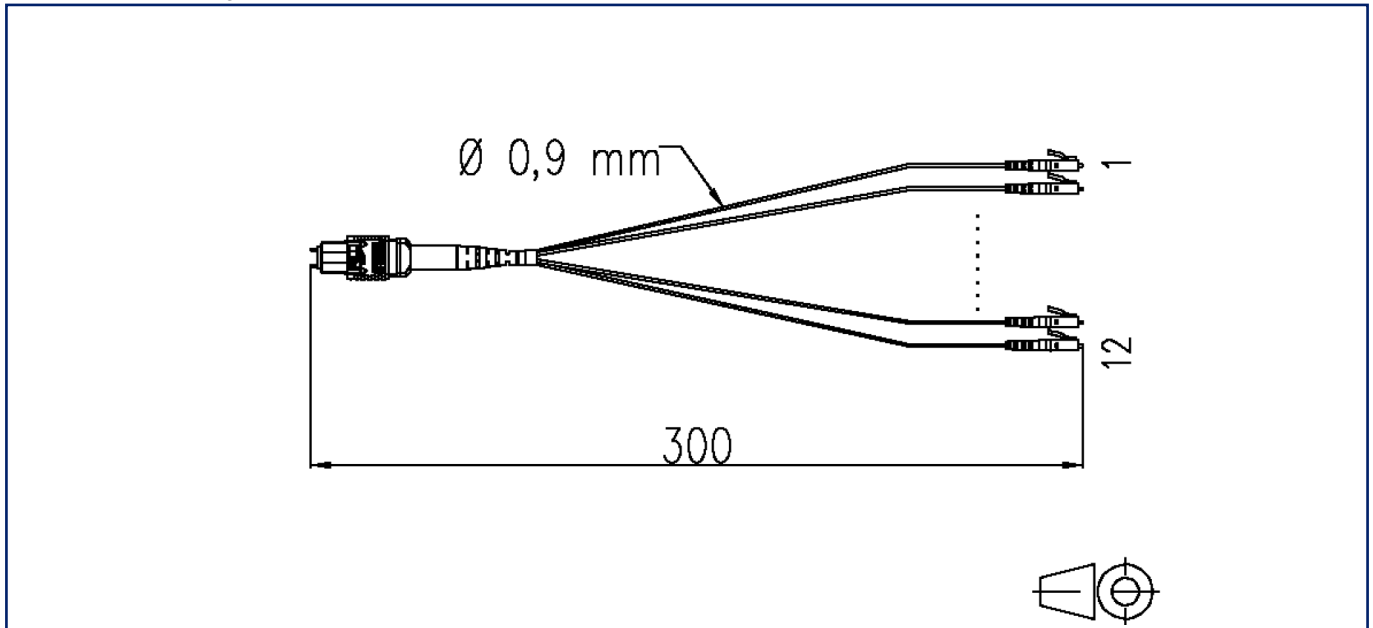
EAN 4251394656250

2023/06/16

Version: D

Illustrations

Dimensional drawing



Principle diagram

