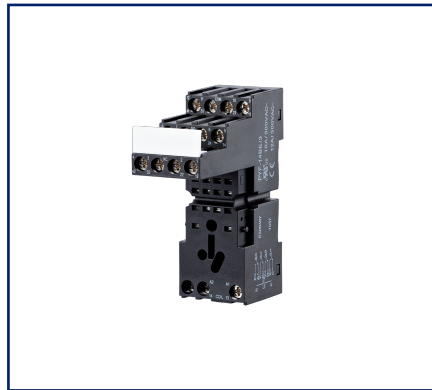
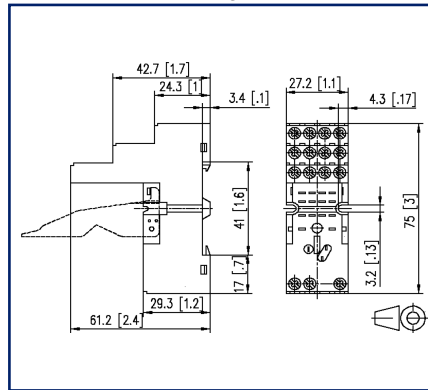


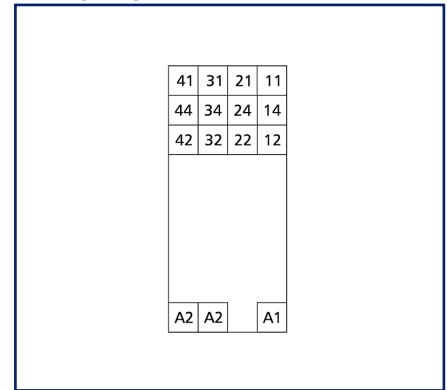
Illustrations



Dimensional drawing



Wiring diagram



See enlarged drawings at the end of document

Product specification

14-pole relay socket for commercially available industrial relays with screw-type terminals. All metal parts are arranged under cover to protect them against contact. The relay socket matches MC274.

- Optional bracket
- integrated quick fastening for DIN rail
- Terminal designation to EN 50022
- separate input and output



Technical Data

Supply	
Operating voltage	300 V AC
Power consumption AC (max.)	10 A
Housing	
Dimensions	
Dimension (W x H x D)	27.2 mm x 75 mm x 61.2 mm
Dimension (W x H x D)	1.071 in. x 2.953 in. x 2.409 in.
Weight	63 g
Mounting style	Standard rail TH35
Mounting position	any
Apposition	without distance
Connection type	Screw type terminal blocks
Material	
Color	black
Protection category according to IEC 60529	
Protection category - housing (acc. to IEC 60529)	IP20
Temperature range	
Operating	
Temperature - Operating °C	0 °C - 55 °C
Temperature - Operating °F	32 °F - 131 °F
Storage	
Temperature - Storage °C	-20 °C - 70 °C
Temperature - Storage °F	-4 °F - 158 °F
Environment	
Temperature - Environment °C	-25 °C - 70 °C
Temperature - Environment °F	-13 °F - 158 °F
Elektrische Daten	
Insulation group according to VDE 0110b	C250
Electric strength	2,500 V _{eff}
Protection against manual contact	VBG 4

C | Logline

Data sheet
Socket 14 poles

Page 3/6

P/N
110175

EAN 4250184120414

2023/06/23

Version: C

Technical Data

Power loss

Power loss (typical) 1.5 W

Classifications

ETIM 7.0 EC001456

ETIM 8.0 EC001456

ETIM 9.0 EC001456



C | Logline

Data sheet
Socket 14 poles

Page 4/6

P/N
110175

EAN 4250184120414

2023/06/23

Version: C

Accessories

P/N	Designation
110189	Holding bracket plastic for R274
817133	Metal holding bracket
850349-03	Connecting bridge, 5 pole



C | Logline

Data sheet
Socket 14 poles

Page 5/6

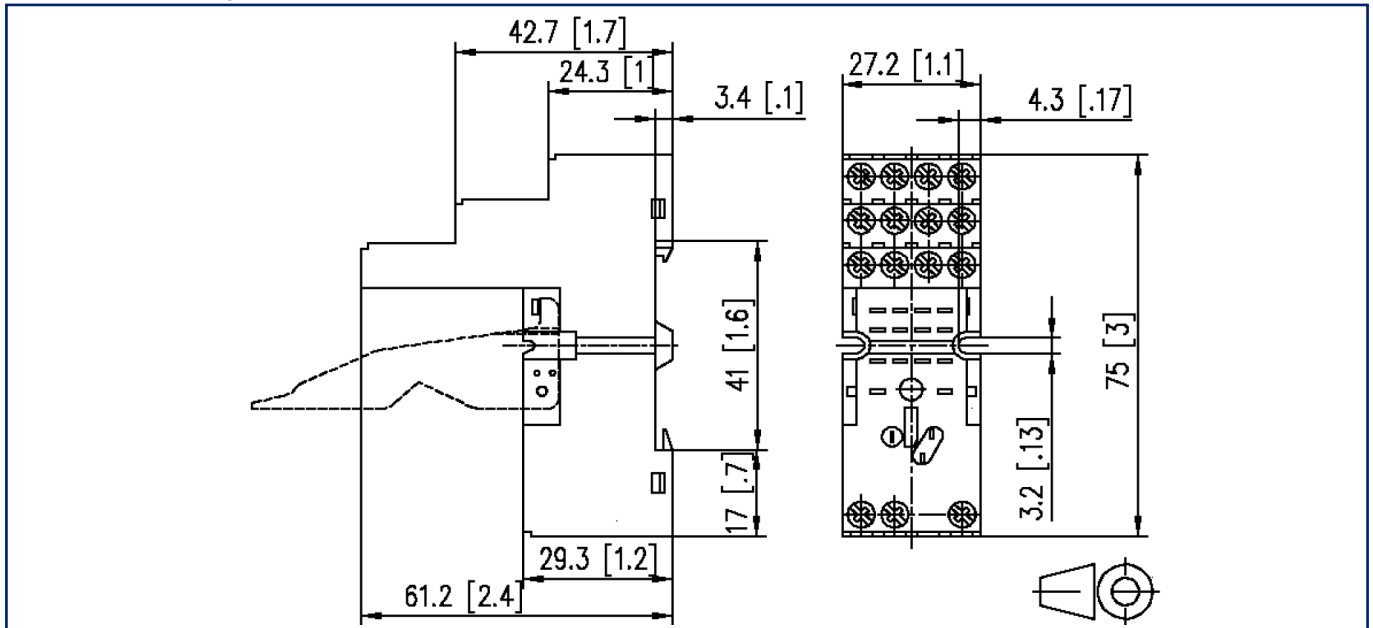
P/N
110175
EAN 4250184120414
2023/06/23
Version: C

Accessories from

P/N	Designation
110017051407	MC274-4W 230 V AC
110017101407	MC274-4W 24 V AC
110017251407	MC274-4W 24 V DC

Illustrations

Dimensional drawing



Wiring diagram

