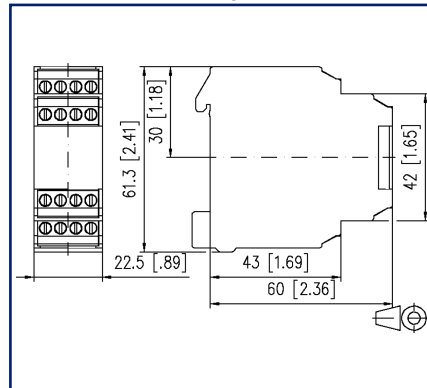


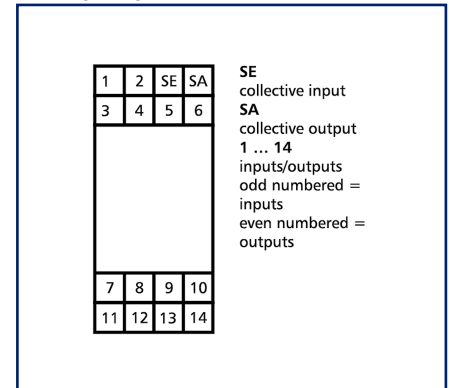
## Illustrations



Dimensional drawing



Wiring diagram



See enlarged drawings at the end of document

## Product specification

The lamp test module combines several functions in one module (individual and collective messages and lamp test). The incoming fault messages are applied to the inputs (1, 3, 5, 7, 9, 11, 13). The signal lamps are connected to the outputs (2, 4, 6, 8, 10, 12, 14). When there is a message at an input, the belonging signal lamp lights up. At the same time, a signal is transmitted to the SA output. When a signal is applied to the SE input, all signal lamps light up without a signal being transmitted to the SA output. Please do not use it for 230 V LEDs! (capacitor power supply units)

- for 7 lamps
- Output for collective message
- Input for lamp test
- Connection with screw-type terminals

## Technical Data

### Supply

Operating voltage	250 V AC/DC
-------------------	-------------

### Housing

Dimensions	
Dimension (W x H x D)	22.5 mm x 61.3 mm x 60 mm
Dimension (W x H x D)	0.886 in. x 2.413 in. x 2.362 in.
Weight	100 g
Mounting style	Standard rail TH35
Mounting position	any
Apposition	without distance
Connection type	Screw type terminal blocks

### Terminal blocks

Wire cross section solid	0.2 mm <sup>2</sup> - 2.5 mm <sup>2</sup> / AWG 22-12
Wire cross section multi	0.25 mm <sup>2</sup> - 2.5 mm <sup>2</sup> / AWG 22-12
Wire cross section with wire ferrule	0.25 mm <sup>2</sup> - 2.5 mm <sup>2</sup> / AWG 22-12
Screw torque (max.)	0.5 Nm
Stripping length (min.)	8 mm

### Material

Material - Housing	Polyamid 6.6 V0
Color	gray
Material - Terminal block	Polyamid 6.6 V0
Material - Covers	Polyamid 6.6 V0

### Protection category according to IEC 60529

Protection category - housing (acc. to IEC 60529)	IP40
Protection category - terminal blocks (acc. to IEC 60529)	IP20

### Temperature range

Operating	
Temperature - Operating °C	-20 °C - 55 °C
Temperature - Operating °F	-4 °F - 131 °F
Storage	
Temperature - Storage °C	-25 °C - 70 °C
Temperature - Storage °F	-13 °F - 158 °F

## Technical Data

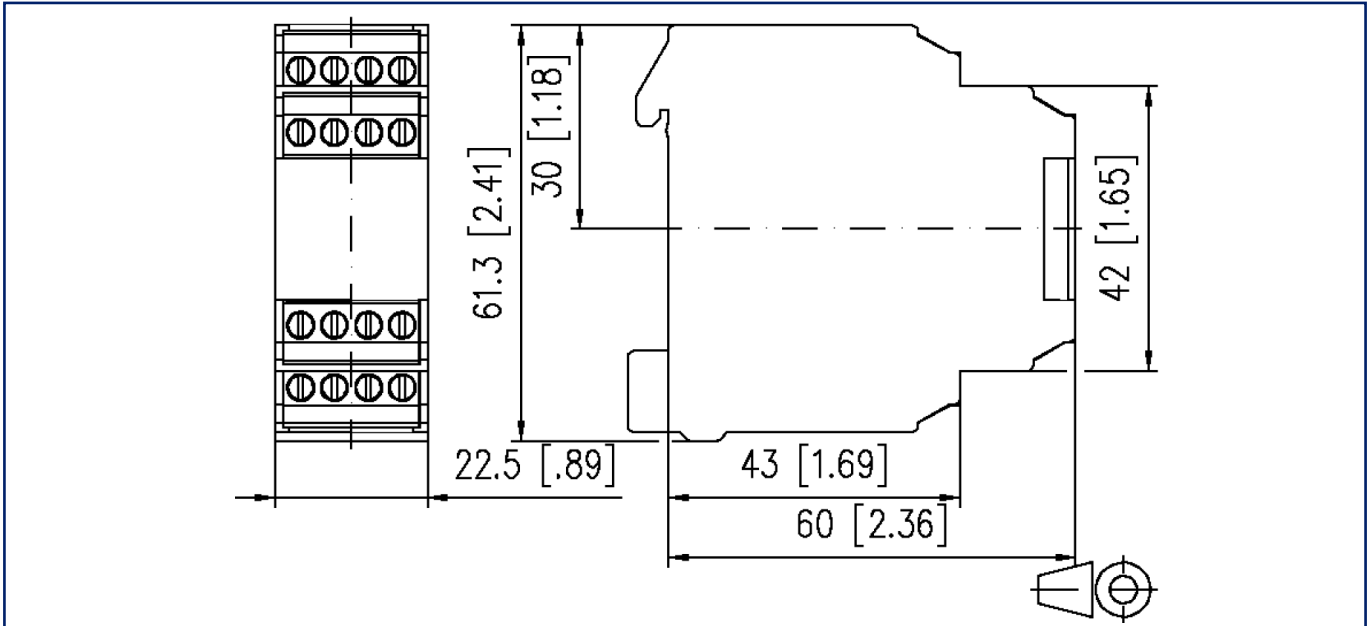
### Classifications

ETIM 6.0	EC000310
ETIM 7.0	EC000683
ETIM 8.0	EC000683
ETIM 9.0	EC000683

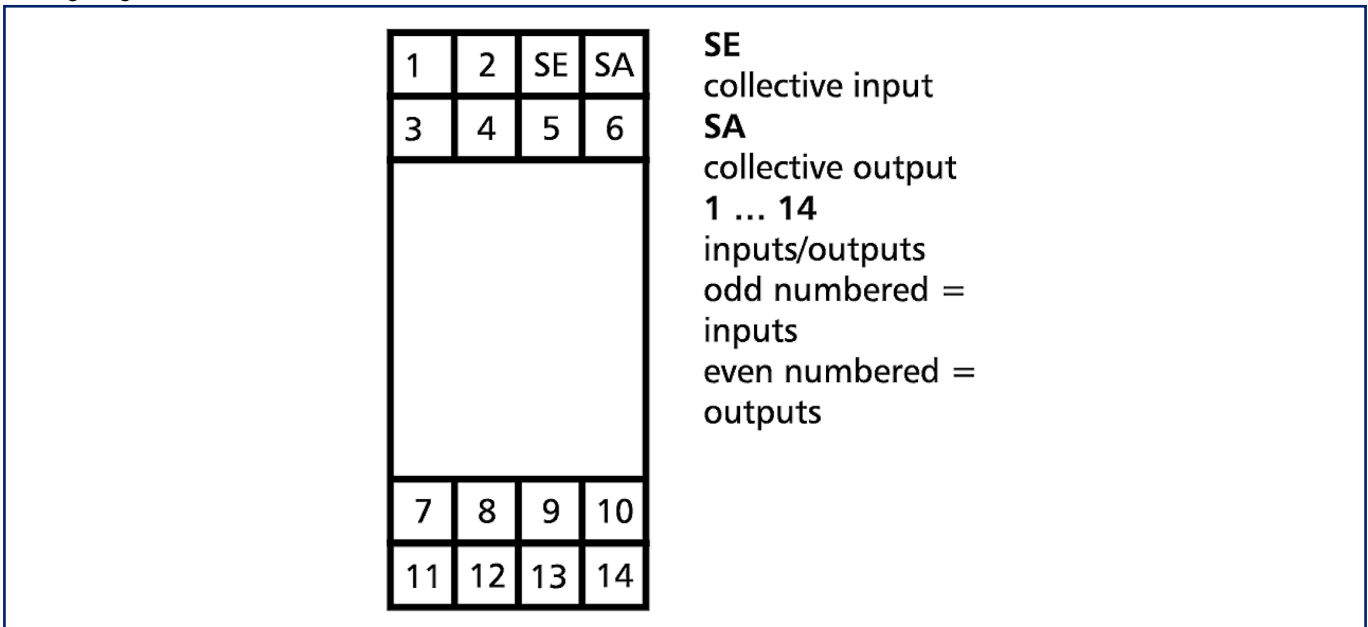


**Illustrations**

Dimensional drawing

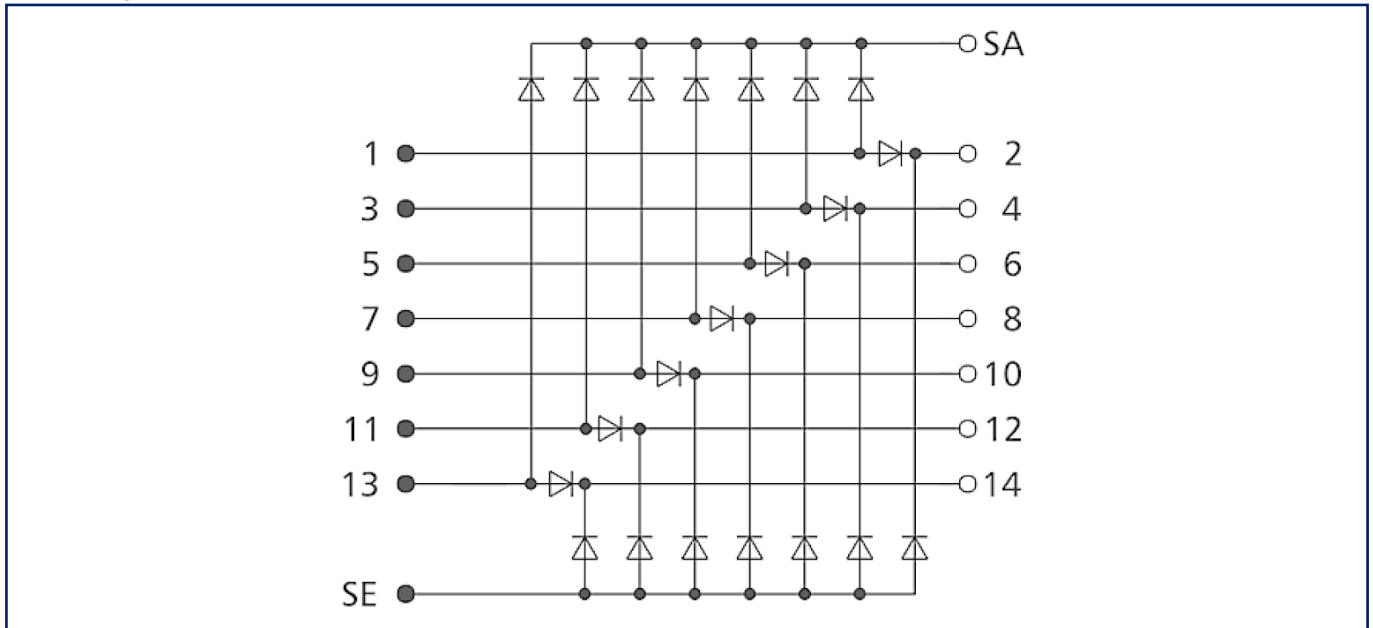


Wiring diagram



**Illustrations**

Circuit diagram



© 2023 METZ CONNECT - Technische Änderungen vorbehalten! Subject to modifications! Sous réserve de modifications techniques!