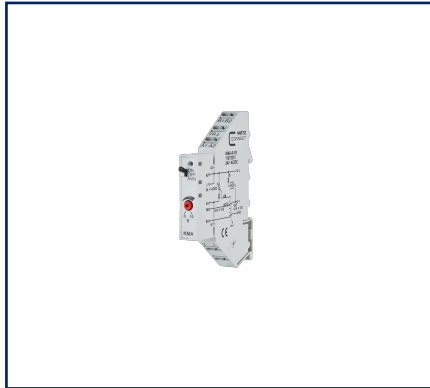
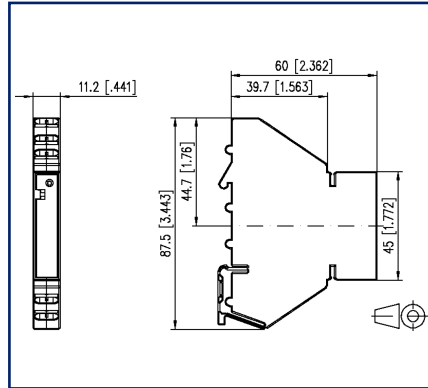


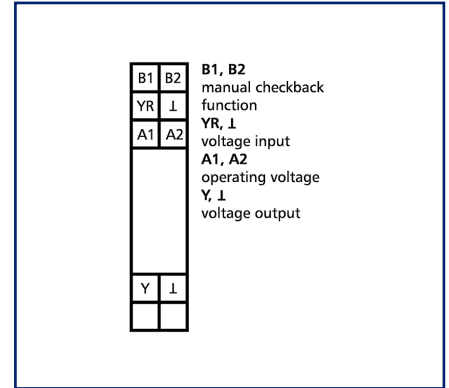
Illustrations



Dimensional drawing



Wiring diagram



See enlarged drawings at the end of document

Product specification

The analog encoder is used for manual control variable settings for example for mixing valves, valve positions, temperature values etc. The module can be controlled in two operating modes that are set by means of the three level switch (ON, OFF, AUTO) on the front. The switch position is confirmed via the two external control contacts B1 and B2. Switch position ON: The control variable can be set with the potentiometer on the front. The output signal 0 to 10 V is available at contact Y. Switch position AUTO: The control variable is transmitted via contact YR without change to the control variable output Y.

- Connection by spring clamp terminal blocks (push-in)
- Setpoint generator
- Manual control level with checkback function
- LED brightness proportional to control variable
- Protected against external voltage

Technical Data

Supply	
Operating voltage	24 V AC/DC -15% ... +20%
Power consumption AC (max.)	30 mA
Power consumption DC (max.)	19 mA
Duty cycle relative	100 %
Manual control level	
Mechanical life	1x10 ³ switching cycles
Switching capacity (min.)	3 V AC/DC / 50 µA
Switching capacity (max.)	24 V AC/DC / 50 mA
Test voltage	100 V, 50 Hz, 1 min
Inputs	
Voltage input (YR)	0 - 10 V DC
Outputs	
Voltage output (Y)	0 - 10 V DC
Switch AUTO/ON	shortcircuit proof
Indicator	red LED
Housing	
Dimensions	
Dimension (W x H x D)	11.2 mm x 87.5 mm x 60 mm
Dimension (W x H x D)	0.441 in. x 3.445 in. x 2.362 in.
Weight	43 g
Mounting style	Standard rail TH35
Mounting position	any
Apposition	without distance
Connection type	Spring clamp terminal blocks
Terminal blocks	
Wire cross section solid	0.08 mm ² - 2.5 mm ² / AWG 28-14
Wire cross section multi	0.08 mm ² - 0.75 mm ² / AWG 28-18
Wire cross section with wire ferrule	0.08 mm ² - 0.75 mm ² / AWG 28-20
Stripping length (min.)	10 mm

Technical Data**Material**

Material - Housing	Polyamid 6.6 V0
Color	gray
Material - Terminal block	Polyamid 6.6 V0

Protection category according to IEC 60529

Protection category - housing (acc. to IEC 60529)	IP40
Protection category - terminal blocks (acc. to IEC 60529)	IP20

Temperature range

Operating

Temperature - Operating °C	-5 °C - 55 °C
Temperature - Operating °F	23 °F - 131 °F

Storage

Temperature - Storage °C	-20 °C - 70 °C
Temperature - Storage °F	-4 °F - 158 °F

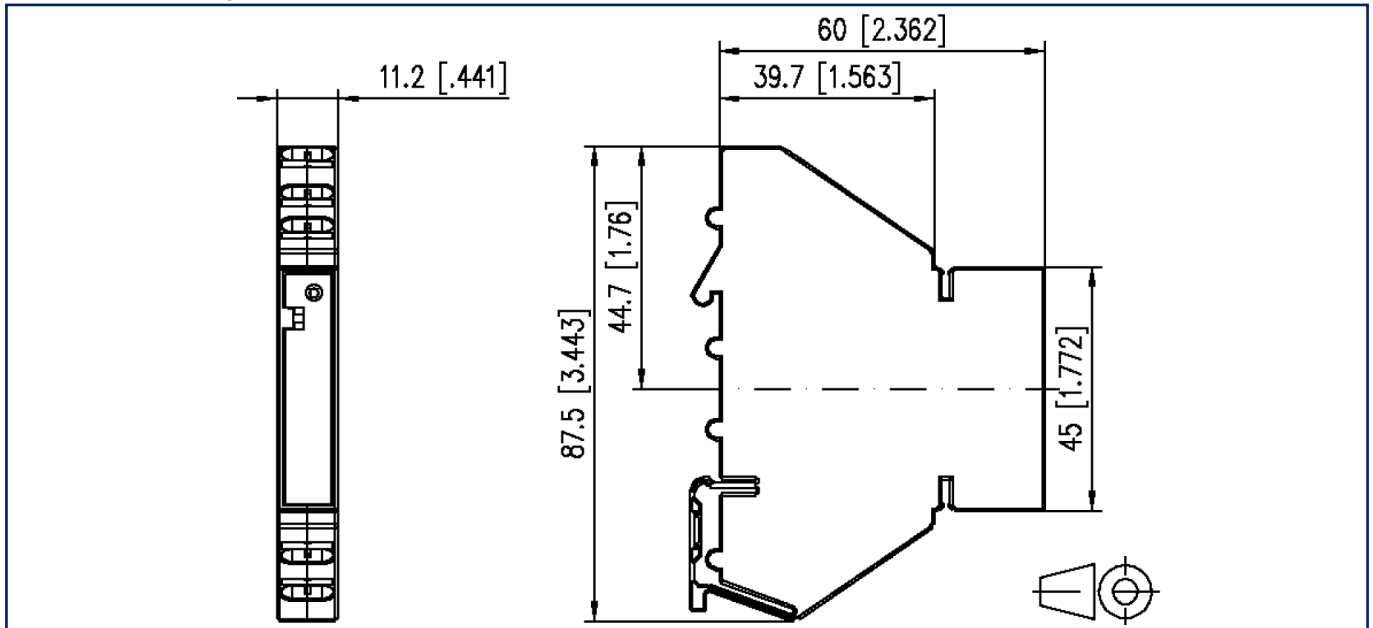
Classifications

ETIM 7.0	EC000310
ETIM 8.0	EC000310

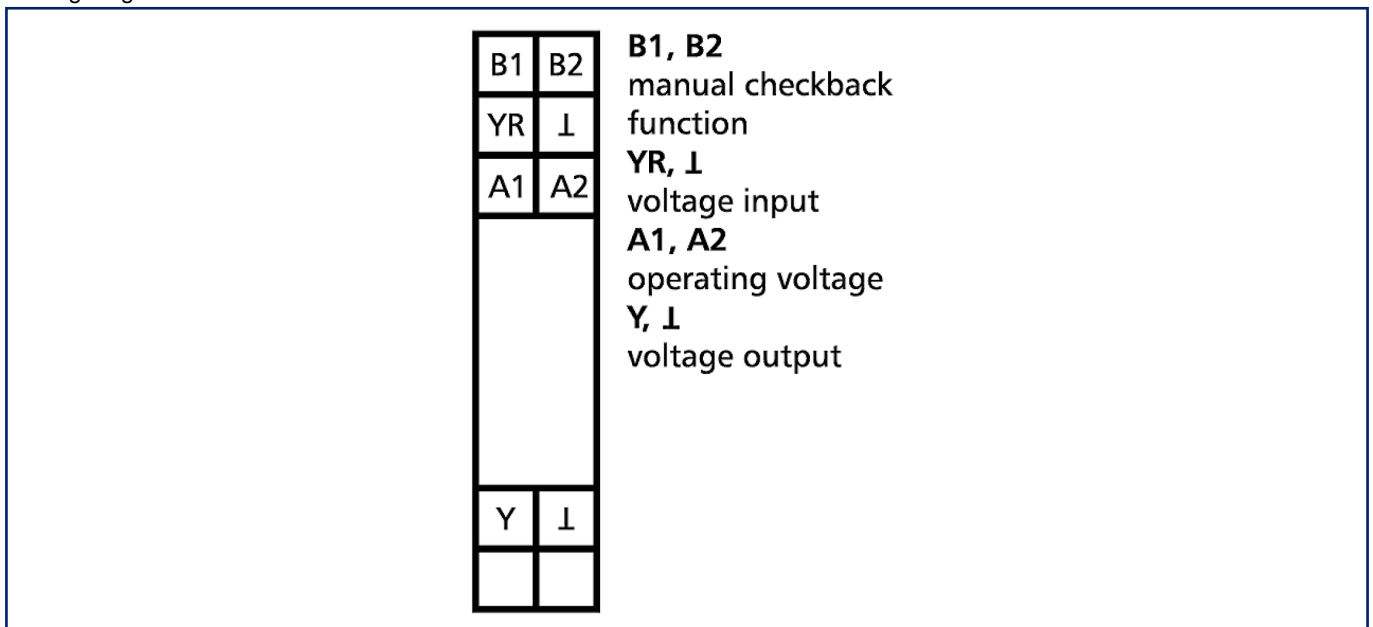


Illustrations

Dimensional drawing



Wiring diagram



© 2023 METZ CONNECT - Technische Änderungen vorbehalten! Subject to modifications! Sous réserve de modifications techniques!

Illustrations

Circuit diagram

