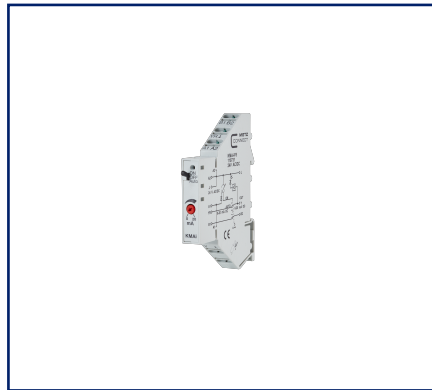
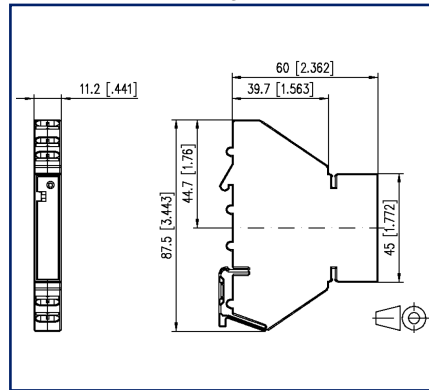


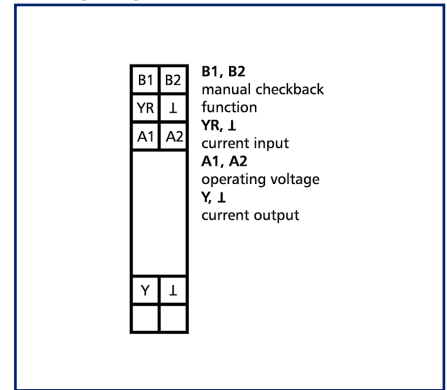
Illustrations



Dimensional drawing



Wiring diagram



See enlarged drawings at the end of document

Product specification

The analog encoder is used for manual control variable settings for example for mixing valves, valve positions, temperature values etc. The module can be controlled in two operating modes that are set by means of the three level switch (ON, OFF, AUTO) on the front. The switch position is confirmed via the two external control contacts B1 and B2. Switch position ON The control variable can be set with the potentiometer on the front. The output signal 0 to 20 mA is available at contact Y. The current flow at input YR is not interrupted when the switch is in position ON or OFF. Switch position AUTO The input current (YR) is transmitted to the control variable output Y with a tolerance of $\pm 5\%$ (full scale value).

- Connection by spring clamp terminal blocks (push-in)
- Setpoint generator
- Manual control level with checkback function
- LED brightness proportional to control variable

Technical Data

Supply	
Operating voltage	24 V AC/DC -15% ... +20%
Power consumption AC (max.)	30 mA
Power consumption DC (max.)	19 mA
Duty cycle relative	100 %
Manual control level	
Mechanical life	1x10 ³ switching cycles
Switching capacity (min.)	3 V AC/DC / 50 µA
Switching capacity (max.)	24 V AC/DC / 50 mA
Test voltage	100 V, 50 Hz, 1 min
Inputs	
Current input (YR)	0 ... 20 mA DC
Outputs	
Current output (Y)	0 ... 20 mA DC
Output current (max.) switch position "ON"	20 mA
Switch AUTO/ON	shortcircuit proof
Indicator	red LED
Housing	
Dimensions	
Dimension (W x H x D)	11.2 mm x 87.5 mm x 60 mm
Dimension (W x H x D)	0.441 in. x 3.445 in. x 2.362 in.
Weight	43 g
Mounting style	Standard rail TH35
Mounting position	any
Apposition	without distance
Connection type	Spring clamp terminal blocks
Terminal blocks	
Wire cross section solid	0.08 mm ² - 2.5 mm ² / AWG 28-14
Wire cross section multi	0.08 mm ² - 0.75 mm ² / AWG 28-18
Wire cross section with wire ferrule	0.08 mm ² - 0.75 mm ² / AWG 28-20
Stripping length (min.)	10 mm

Technical Data

Material	
Material - Housing	Polyamid 6.6 V0
Color	gray
Material - Terminal block	Polyamid 6.6 V0
Protection category according to IEC 60529	
Protection category - housing (acc. to IEC 60529)	IP40
Protection category - terminal blocks (acc. to IEC 60529)	IP20
Temperature range	
Operating	
Temperature - Operating °C	-5 °C - 55 °C
Temperature - Operating °F	23 °F - 131 °F
Storage	
Temperature - Storage °C	-20 °C - 70 °C
Temperature - Storage °F	-4 °F - 158 °F
Power loss	
Power loss (typical) during 24 V DC operation	620 mW
Power loss (typical) during 24 V AC operation	780 mW
Classifications	
ETIM 7.0	EC000310
ETIM 8.0	EC000310



C | Logline

Data sheet
KMAi-F8

Page 4/6

P/N
110731

EAN 4250184123231

2023/06/23

Version: C

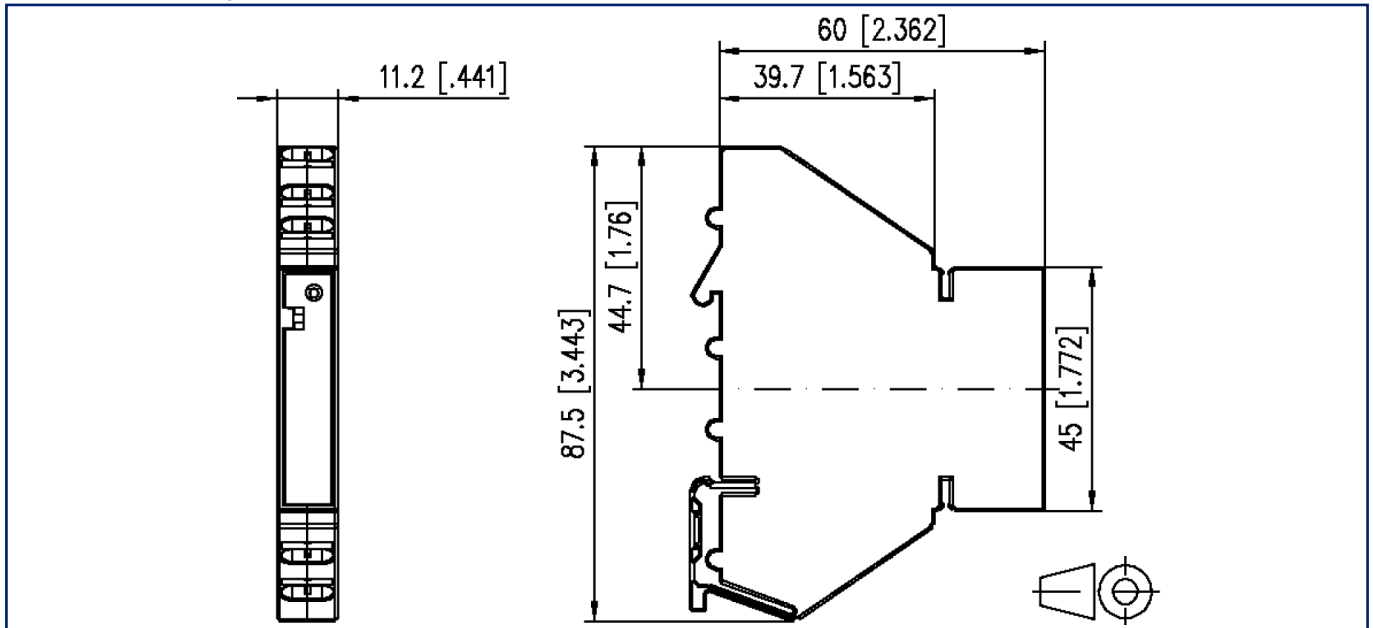
Accessories

P/N	Designation
110727	Labeling plate for KMA-F8
110728	Connecting bridge, 10 pole

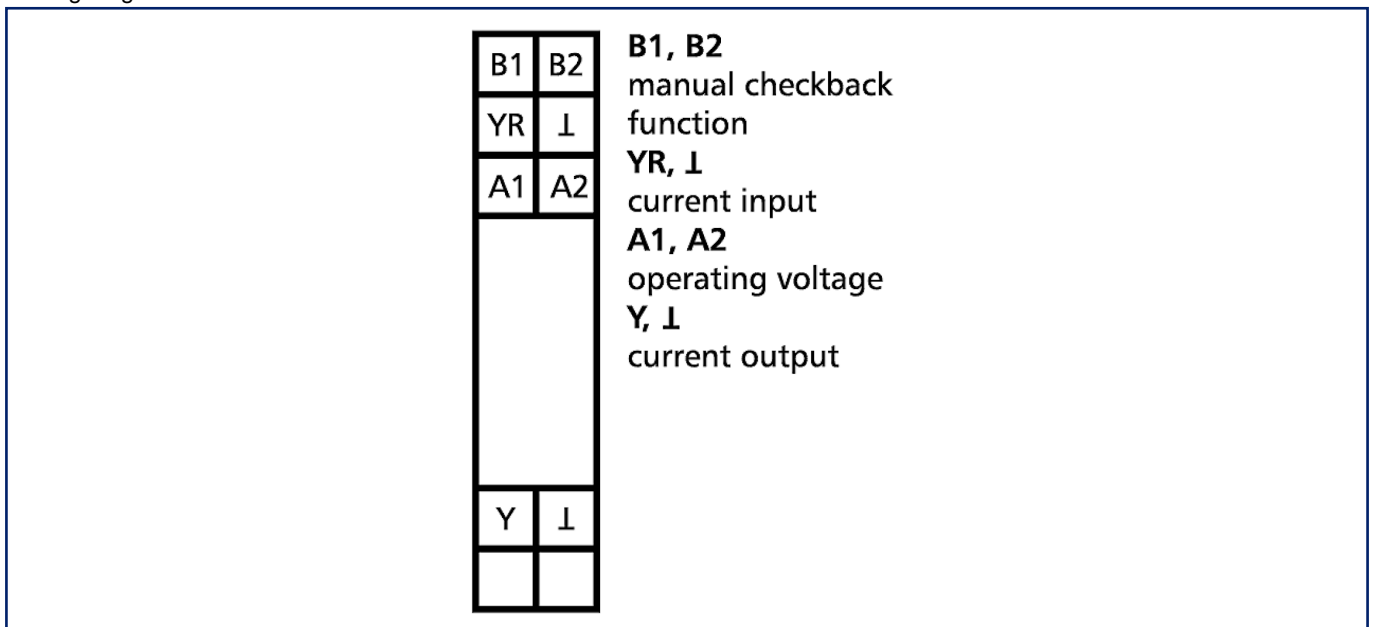


Illustrations

Dimensional drawing



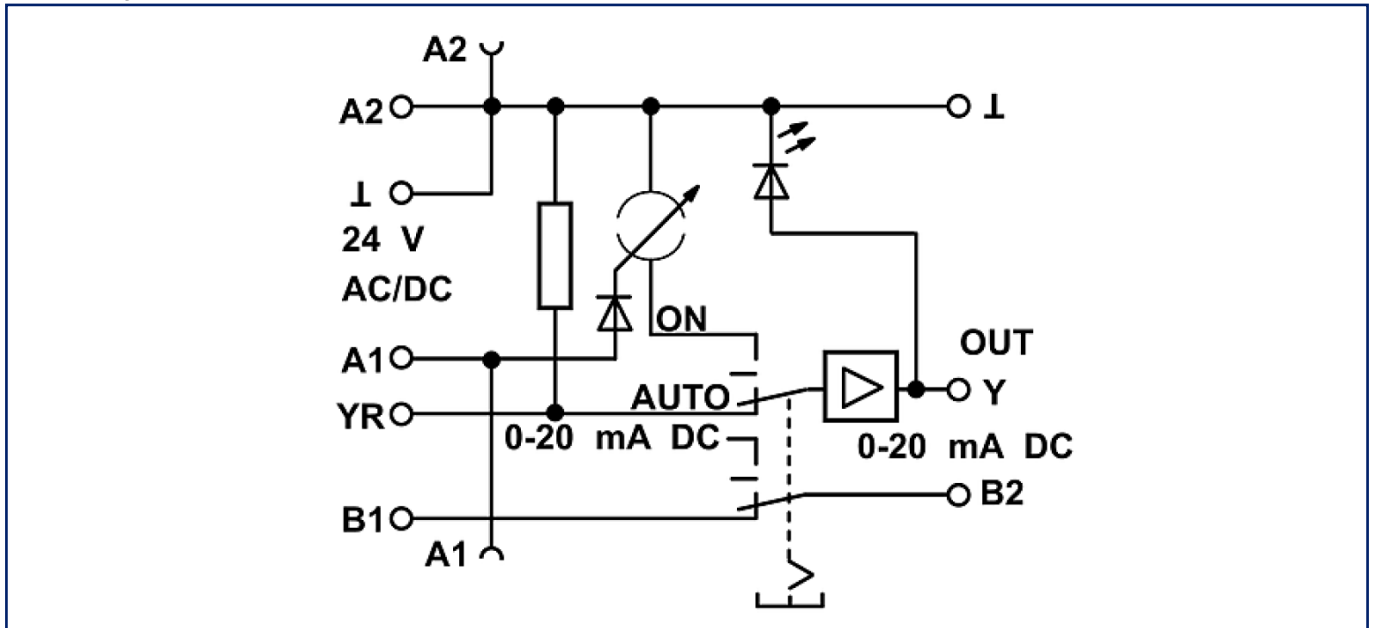
Wiring diagram



© 2023 METZ CONNECT - Technische Änderungen vorbehalten! Subject to modifications! Sous réserve de modifications techniques!

Illustrations

Circuit diagram



© 2023 METZ CONNECT - Technische Änderungen vorbehalten! Subject to modifications! Sous réserve de modifications techniques!