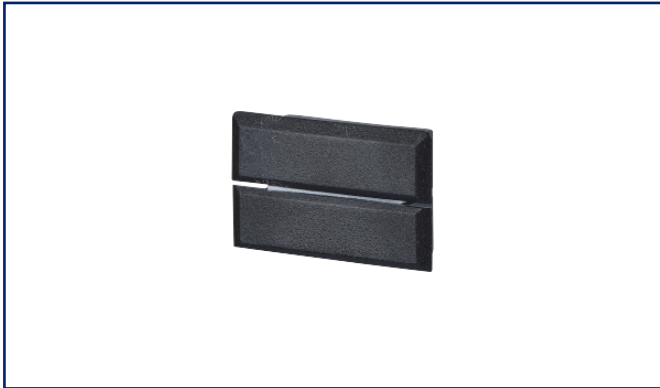


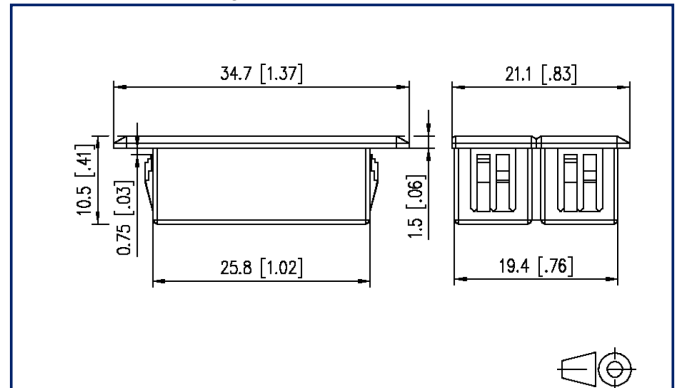
## Data sheet

### Blind cover SC-D double

## Illustrations



Dimensional drawing



See enlarged drawings at the end of document

## Product specification

- blank covers for OpDAT REGplus to cover a half recess (one-sided, without overlap) or one recess (two one-sided bonded SC-D covers without overlap)

# P | Cabling

## Data sheet Blind cover SC-D double

Page 2/3

P/N

860088-02

EAN 4250184115557

2023/04/04

Version: M

### Technical Data

#### General Data

Mechanical measurement according to MICE	M1
Ingress measurement according to MICE	I1
Climatic measurement according to MICE	C1
Electromagnetic measurement according to MICE	E3
Design	Blind cover
Mounting style	Accessories
Color	black

#### Materials and material properties

Halogen free	yes
RoHS	compliant

#### Classifications

ETIM 5.0	EC002066
ETIM 6.0	EC002066
ETIM 7.0	EC000723
ETIM 8.0	EC000723
ETIM 9.0	EC000723

#### Packing details

Type of packaging	10 pc(s) / plastic bag
Packaging unit - Weight (gram)	34 g
Packaging unit - Weight (pound)	0.07 lb

# P | Cabling

Data sheet

## Blind cover SC-D double

Page 3/3

P/N

860088-02

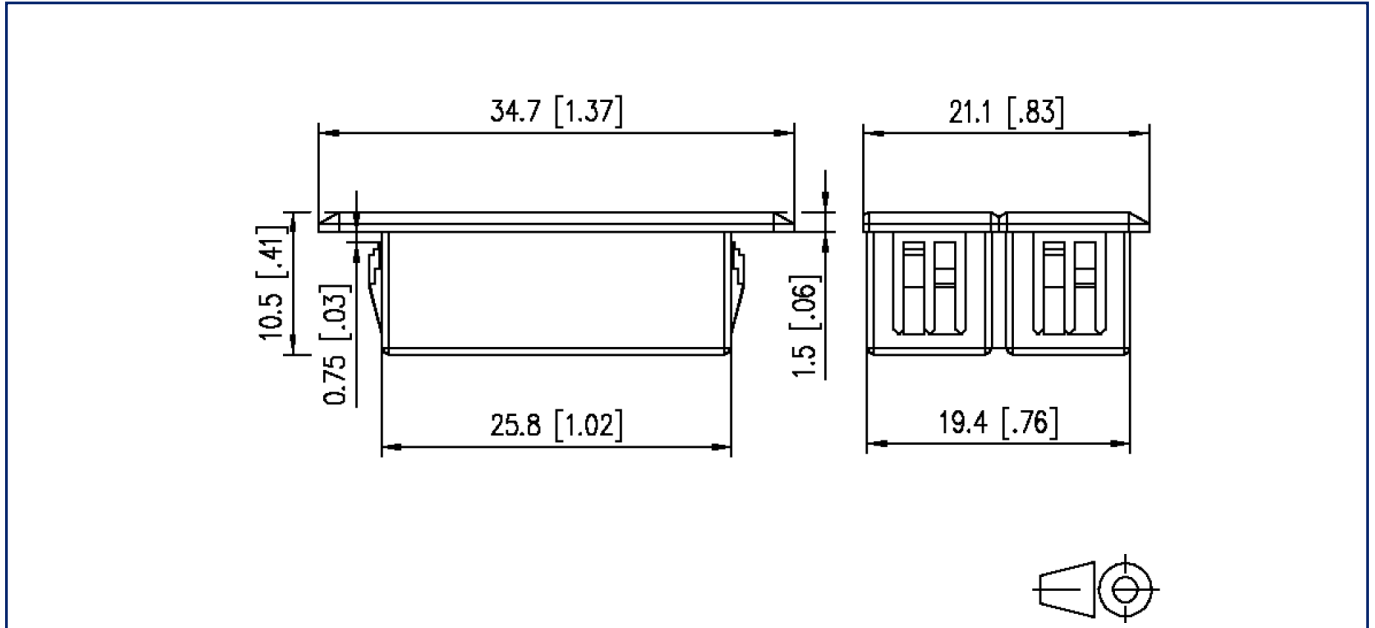
EAN 4250184115557

2023/04/04

Version: M

### Illustrations

Dimensional drawing



© 2023 METZ CONNECT - Technische Änderungen vorbehalten! Subject to modifications! Sous réserve de modifications techniques!

