

**Data sheet****Dust protection covers for wall outlets red**

Page 1/7

P/N

820394-0108-I

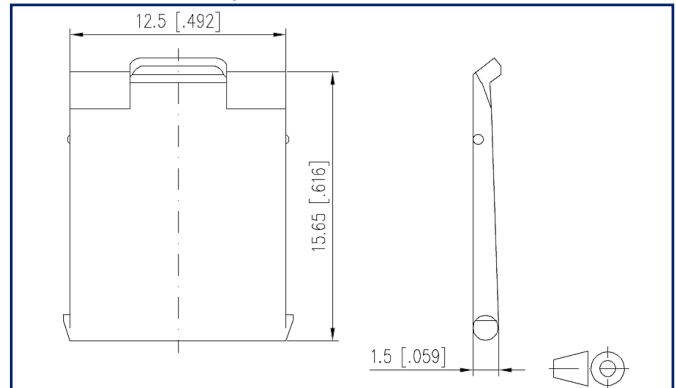
EAN 4250184110651

2023/04/04

Version: K

**Illustrations**

Dimensional drawing



See enlarged drawings at the end of document

**Product specification**

- for color service coding of wall outlets
- suitable for wall outlets: C6<sub>A</sub>modul, E-DAT C6<sub>A</sub>, E-DAT modul, E-DAT C6 and E-DAT design
- variants: yellow, blue, green, red



# P | Cabling

Data sheet

Page 2/7

## Dust protection covers for wall outlets red

P/N

820394-0108-I

EAN 4250184110651

2023/04/04

Version: K

### Technical Data

#### General Data

|   |                                   |
|---|-----------------------------------|
| Mechanical measurement according to MICE      | M1                                |
| Ingress measurement according to MICE         | I1                                |
| Climatic measurement according to MICE        | C1                                |
| Electromagnetic measurement according to MICE | E3                                |
| Design  | Dust protection                   |
| Mounting style                                | Accessories                       |
| Color   | red                               |
| Dimensions                                    |                                   |
| Dimension (L x W x H)                         | 15.65 mm x 12.5 mm x 1.5 mm       |
| Dimension (L x W x H)                         | 0.616 in. x 0.492 in. x 0.059 in. |

#### Materials and material properties

|              |           |
|--------------|-----------|
| Material     | ABS       |
| Halogen free | yes       |
| RoHS         | compliant |

#### Classifications

|          |          |
|----------|----------|
| ETIM 5.0 | EC000766 |
| ETIM 6.0 | EC000766 |
| ETIM 7.0 | EC000723 |
| ETIM 8.0 | EC000723 |
| ETIM 9.0 | EC000723 |

#### Packing details

|                                 |                        |
|---------------------------------|------------------------|
| Type of packaging               | 10 pc(s) / plastic bag |
| Packaging unit - Weight (gram)  | 10 g                   |
| Packaging unit - Weight (pound) | 0.02 lb                |

## Dust protection covers for wall outlets red

P/N

820394-0108-I

EAN 4250184110651

2023/04/04

Version: K

### Accessories from

| P/N          | Designation   |
|--------------|---|
| 1307370001-I | E-DAT C6 1 port AP pearl white                          |
| 1307370002-I | E-DAT C6 1 port AP pure white                           |
| 1307371001-I | E-DAT C6 1 port UP pearl white                          |
| 1307371002-I | E-DAT C6 1 port UP pure white                           |
| 1307371101-I | E-DAT C6 1 port UPk pearl white                         |
| 1307371102-I | E-DAT C6 1 port UPk pure white                          |
| 1307371200-I | E-DAT C6 1 port UP0                                     |
| 1307380001-I | E-DAT C6 2 port AP pearl white                          |
| 1307380002-I | E-DAT C6 2 port AP pure white                           |
| 1307381001-I | E-DAT C6 2 port UP pearl white                          |
| 1307381002-I | E-DAT C6 2 port UP pure white                           |
| 1307381101-I | E-DAT C6 2 port UPk pearl white                         |
| 1307381102-I | E-DAT C6 2 port UPk pure white                          |
| 1307381200-I | E-DAT C6 2 port UP0                                     |
| 1309110001-E | E-DAT modul 1 port AP Cat.6 <sub>A</sub> , pearl white  |
| 1309110002-E | E-DAT modul 1 port AP Cat.6 <sub>A</sub> , pure white   |
| 1309111001-E | E-DAT modul 1 port UP Cat.6 <sub>A</sub> , pearl white  |
| 1309111002-E | E-DAT modul 1 port UP Cat.6 <sub>A</sub> , pure white   |
| 1309111101-E | E-DAT modul 1 port UPk Cat.6 <sub>A</sub> , pearl white |
| 1309111102-E | E-DAT modul 1 port UPk Cat.6 <sub>A</sub> , pure white  |
| 1309120001-E | E-DAT modul 2 port AP Cat.6 <sub>A</sub> , pearl white  |
| 1309120002-E | E-DAT modul 2 port AP Cat.6 <sub>A</sub> , pure white   |
| 1309121001-E | E-DAT modul 2 port UP Cat.6 <sub>A</sub> , pearl white  |
| 1309121002-E | E-DAT modul 2 port UP Cat.6 <sub>A</sub> , pure white   |
| 1309121101-E | E-DAT modul 2 port UPk Cat.6 <sub>A</sub> , pearl white |
| 1309121102-E | E-DAT modul 2 port UPk Cat.6 <sub>A</sub> , pure white  |
| 1309130001-E | E-DAT modul 3 port AP Cat.6 <sub>A</sub> , pearl white  |
| 1309130002-E | E-DAT modul 3 port AP Cat.6 <sub>A</sub> , pure white   |
| 1309131001-E | E-DAT modul 3 port UP Cat.6 <sub>A</sub> , pearl white  |
| 1309131002-E | E-DAT modul 3 port UP Cat.6 <sub>A</sub> , pure white   |
| 1309131101-E | E-DAT modul 3 port UPk Cat.6 <sub>A</sub> , pearl white |
| 1309131102-E | E-DAT modul 3 port UPk Cat.6 <sub>A</sub> , pure white  |

## Dust protection covers for wall outlets red

P/N

820394-0108-I

EAN 4250184110651

2023/04/04

Version: K

### Accessories from

|                |   |
|----------------|---|
| 1309140001-E   | Modul wall outlet AP 1 port pearl white unequipped      |
| 1309140002-E   | Modul wall outlet AP 1 port pure white unequipped       |
| 1309141001-E   | Modul wall outlet UP 1 port pearl white unequipped      |
| 1309141002-E   | Modul wall outlet UP 1 port pure white unequipped       |
| 1309141101-E   | Modul wall outlet UPk 1 port pearl white unequipped     |
| 1309141102-E   | Modul wall outlet UPk 1 port pure white unequipped      |
| 1309150001-E   | Modul wall outlet AP 2 port pearl white unequipped      |
| 1309150002-E   | Modul wall outlet AP 2 port pure white unequipped       |
| 1309151001-E   | Modul wall outlet UP 2 port pearl white unequipped      |
| 1309151002-E   | Modul wall outlet UP 2 port pure white unequipped       |
| 1309151101-E   | Modul wall outlet UPk 2 port pearl white unequipped     |
| 1309151102-E   | Modul wall outlet UPk 2 port pure white unequipped      |
| 1309151200-E   | Modul wall outlet UP0 2 port unequipped                 |
| 1309160001-E   | Modul wall outlet AP 3 port pearl white unequipped      |
| 1309160002-E   | Modul wall outlet AP 3 port pure white unequipped       |
| 1309161001-E   | Modul wall outlet UP 3 port pearl white unequipped      |
| 1309161002-E   | Modul wall outlet UP 3 port pure white unequipped       |
| 1309161101-E   | Modul wall outlet UPk 3 port pearl white unequipped     |
| 1309161102-E   | Modul wall outlet UPk 3 port pure white unequipped      |
| 130B10D10002-E | Modul wall outlet AP 1 port pure white unequipped 43 mm |
| 130B10D20002-E | Modul wall outlet AP 2 port pure white unequipped 43 mm |
| 130B10D30002-E | Modul wall outlet AP 3 port pure white unequipped 43 mm |
| 130B11D10002-E | C6 <sub>A</sub> modul 1 port 180°M AP pure white        |
| 130B11D11002-E | C6 <sub>A</sub> modul 1 port 180°M UP pure white        |
| 130B11D11102-E | C6 <sub>A</sub> modul 1 port 180°M UPk pure white       |
| 130B11D20002-E | C6 <sub>A</sub> modul 2 port 180°M AP pure white        |
| 130B11D21002-E | C6 <sub>A</sub> modul 2 port 180°M UP pure white        |
| 130B11D21102-E | C6 <sub>A</sub> modul 2 port 180°M UPk pure white       |
| 130B11D30002-E | C6 <sub>A</sub> modul 3 port 180°M AP pure white        |
| 130B11D31002-E | C6 <sub>A</sub> modul 3 port 180°M UP pure white        |
| 130B11D31102-E | C6 <sub>A</sub> modul 3 port 180°M UPk pure white       |
| 130B12D10002-E | C6 <sub>A</sub> modul 1 port 270°M AP pure white        |
| 130B12D11002-E | C6 <sub>A</sub> modul 1 port 270°M UP pure white        |
| 130B12D11102-E | C6 <sub>A</sub> modul 1 port 270°M UPk pure white       |

## Dust protection covers for wall outlets red

P/N

820394-0108-I

EAN 4250184110651

2023/04/04

Version: K

### Accessories from

|                |  |
|----------------|--|
| 130B12D20002-E | C6 <sub>A</sub> modul 2 port 270°M AP pure white         |
| 130B12D21002-E | C6 <sub>A</sub> modul 2 port 270°M UP pure white         |
| 130B12D21102-E | C6 <sub>A</sub> modul 2 port 270°M UPk pure white        |
| 130B12D30002-E | C6 <sub>A</sub> modul 3 port 270°M AP pure white         |
| 130B12D31002-E | C6 <sub>A</sub> modul 3 port 270°M UP pure white         |
| 130B12D31102-E | C6 <sub>A</sub> modul 3 port 270°M UPk pure white        |
| 130B20D10002KE | Keystone wall outlet AP 1 port pure white unequipped     |
| 130B20D11002KE | Keystone wall outlet UP 1 port pure white unequipped     |
| 130B20D11102KE | Keystone wall outlet UPk 1 port pure white unequipped    |
| 130B20D20002KE | Keystone wall outlet AP 2 port pure white unequipped     |
| 130B20D21002KE | Keystone wall outlet UP 2 port pure white unequipped     |
| 130B20D21102KE | Keystone wall outlet UPk 2 port pure white unequipped    |
| 130B20D30002KE | Keystone wall outlet AP 3 port pure white unequipped     |
| 130B20D31002KE | Keystone wall outlet UP 3 port pure white unequipped     |
| 130B20D31102KE | Keystone wall outlet UPk 3 port pure white unequipped    |
| 130C370001-I   | E-DAT C6 <sub>A</sub> 1 port AP pearl white              |
| 130C370002-I   | E-DAT C6 <sub>A</sub> 1 port AP pure white               |
| 130C371001-I   | E-DAT C6 <sub>A</sub> 1 port UP pearl white              |
| 130C371002-I   | E-DAT C6 <sub>A</sub> 1 port UP pure white               |
| 130C371101-I   | E-DAT C6 <sub>A</sub> 1 port UPk pearl white             |
| 130C371102-I   | E-DAT C6 <sub>A</sub> 1 port UPk pure white              |
| 130C371200-I   | E-DAT C6 <sub>A</sub> 1 port UP0                         |
| 130C380001-I   | E-DAT C6 <sub>A</sub> 2 port AP pearl white              |
| 130C380002-I   | E-DAT C6 <sub>A</sub> 2 port AP pure white               |
| 130C381001-I   | E-DAT C6 <sub>A</sub> 2 port UP pearl white              |
| 130C381002-I   | E-DAT C6 <sub>A</sub> 2 port UP pure white               |
| 130C381101-I   | E-DAT C6 <sub>A</sub> 2 port UPk pearl white             |
| 130C381102-I   | E-DAT C6 <sub>A</sub> 2 Port UPk pure white              |
| 130C381200-I   | E-DAT C6 <sub>A</sub> 2 port UP0                         |
| 860023-02-I    | Central plate 50 x 50 mm 2 port, pure white, E-DAT C6    |
| 860023-27-I    | Central plate 50 x 50 mm 2 port, traffic white, E-DAT C6 |
| 860023-I       | Central plate 50 x 50 mm 2 port, pearl white, E-DAT C6   |
| 860056-02-I    | Central plate 50 x 50 mm 1 port, pure white, E-DAT C6    |

# P | Cabling

Data sheet

Page 6/7

## Dust protection covers for wall outlets red

P/N

820394-0108-I

EAN 4250184110651

2023/04/04

Version: K

### Accessories from

|               |  |
|---------------|--|
| 860056-27-I   | Central plate 50 x 50 mm 1 port, traffic white, E-DAT C6 |
| 860056-I      | Central plate 50 x 50 mm 1 port, pearl white, E-DAT C6   |
| 860210-0002-I | Central plate 50 x 50 mm 1 port, pure white, modul       |
| 860210-0202-I | Central plate 50 x 50 mm 2 port, pure white, modul       |
| 860210-0227-I | Central plate 50 x 50 mm 2 port, traffic white, modul    |
| 860210-02-I   | Central plate 50 x 50 mm 2 port, pearl white, modul      |
| 860210-0402-I | Central plate 50 x 50 mm 3 port, pure white, modul       |
| 860210-0427-I | Central plate 50 x 50 mm 3 port, traffic white, modul    |
| 860210-04-I   | Central plate 50 x 50 mm 3 port, pearl white, modul      |
| 860210-27-I   | Central plate 50 x 50 mm 1 port, traffic white, modul    |
| 860210-I      | Central plate 50 x 50 mm 1 port, pearl white, modul      |



# P | Cabling

Data sheet

Page 7/7

## Dust protection covers for wall outlets red

P/N

820394-0108-I

EAN 4250184110651

2023/04/04

Version: K

### Illustrations

Dimensional drawing

