

**Data sheet
End Mount**

Page 1/4

P/N
820165-2

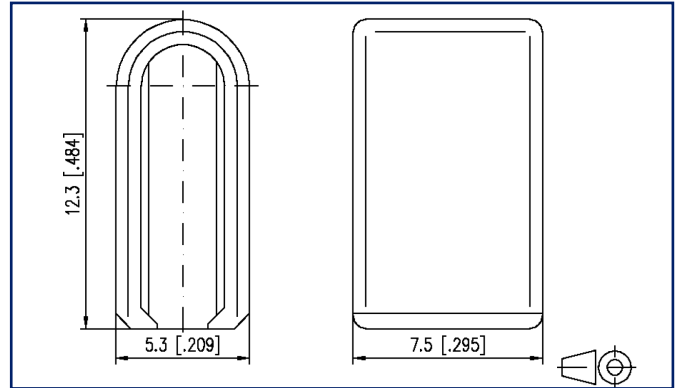
EAN 4250184119326

2023/06/20

Version: C

Illustrations

Dimensional drawing



See enlarged drawings at the end of document

Product specification

To be placed on the ends of the connecting bridge. The end mount completely insulates the comb-type back to provide finger protection.

- Material: PC Makrolon 2805 mat finish, eroded



C | Logline

Data sheet
End Mount

Page 2/4

P/N
820165-2
EAN 4250184119326
2023/06/20
Version: C

Technical Data

Material

Color black

Classifications

ETIM 7.0	EC000489
ETIM 8.0	EC000489
ETIM 9.0	EC000489



C | Logline

Data sheet
End Mount

Page 3/4

P/N
820165-2
EAN 4250184119326
2023/06/20
Version: C

Accessories from

P/N	Designation
850349-02	Connecting bridge, 10 pole
850349-03	Connecting bridge, 5 pole

C | Logline

Data sheet
End Mount

Page 4/4

P/N
820165-2

EAN 4250184119326

2023/06/20

Version: C

Illustrations

Dimensional drawing

