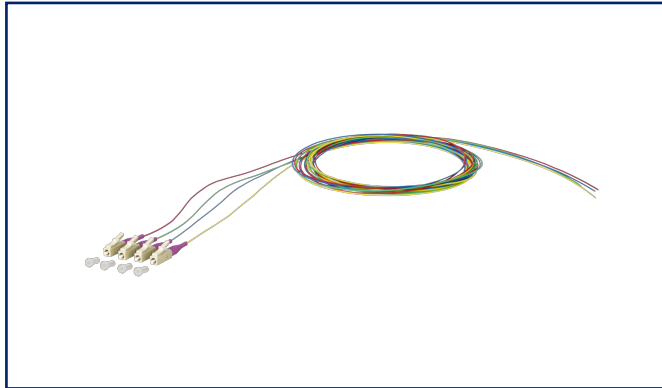


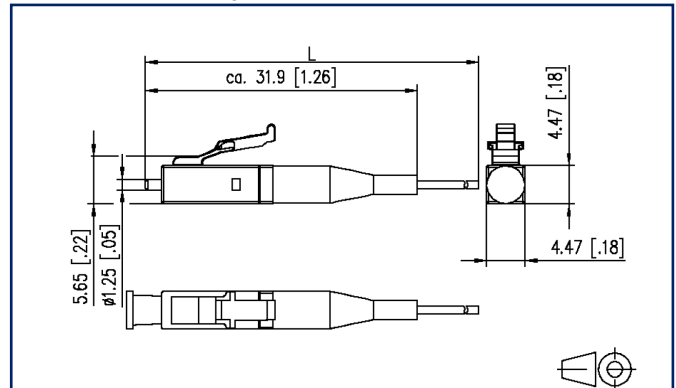
## Data sheet

### OpDAT pigtail LC-PC, OM4, 4 colors

## Illustrations



Dimensional drawing



See enlarged drawings at the end of document

## Product specification

- LC plug according to IEC 61754-20
- Multi mode fiber OM4 G50/125  $\mu\text{m}$ , bend insensitive according to IEC 60793-2-10 type A1a.3
- Compact loose tube fiber with dia. 0.9 mm, length 2.0 m
- Color sequence in sets according to IEC 60304: red, green, blue, yellow, white, gray, brown, violet, turquoise, black, orange, pink. Secondary and primary coating same color
- Plug connector mounted on one side
- With test report, insertion loss and return loss tested at 100 %
- All available variants can be created with the cable configurator

# P | Cabling

Data sheet

Page 2/6

## OpDAT pigtail LC-PC, OM4, 4 colors

P/N

150N1JO0020E4

EAN 4251122189005

2023/06/02

Version: L

### Technical Data

#### General Data

Fields of application	office areas data center
Mechanical measurement according to MICE	M1
Ingress measurement according to MICE	I1
Climatic measurement according to MICE	C1
Electromagnetic measurement according to MICE	E3
Design	pigtail
Transmission technology	Fiber optic
Color	beige
Dimensions	
Dimension (L x W x H)	31.9 mm x 4.47 mm x 4.47 mm
Dimension (L x W x H)	1.256 in. x 0.176 in. x 0.176 in.
Mode type of the fiber	Multimode
Fiber class	OM4
Fiber standard	IEC 60793-2-10/EN 60793-2-10 A1.a.3
Cable Type	pigtail(s)
Number of cables/ buffered fibers	4
Number of fibres each cable/ wire	1
Shape	PC (Physical Contact)
Fiber construction	50/125 µm
Cable length (m)	2 m
Cable length (ft)	6.56 ft

#### Connections/interfaces

Connector technology interface 1	LC PC
Connector technology interface 2	free line end
Primary coating diameter	0.25 mm
Primary coating diameter	0.01 in.
Secondary coating diameter	0.9 mm
Secondary coating diameter	0.035 in.
Ferrule diameter	1.25 mm
Ferrule diameter	0.049 in.



# P | Cabling

Data sheet

Page 3/6

## OpDAT pigtail LC-PC, OM4, 4 colors

P/N

150N1JO0020E4

EAN 4251122189005

2023/06/02

Version: L

### Technical Data

#### Optical characteristics

Insertion loss	max. 0,4 dB
Return loss	min. 35 dB

#### Mechanical data

Insertion and withdrawal force	min. 5 N
Minimum bending radius	15 mm
Minimum bending radius	0.591 in.

#### Materials and material properties

Halogen free	yes
RoHS	compliant

#### Environmental conditions

Temperature (min. - max.)	
Temperature - Storage °C	-20 °C - 60 °C
Temperature - Storage °F	-4 °F - 140 °F
Temperature - Operating °C	-20 °C - 60 °C
Temperature - Operating °F	-4 °F - 140 °F

#### Standards/Regulations

Generic cabling systems	
General requirements	ISO/IEC 11801
Fibre optic connector interfaces	
	IEC 61754-20
Optical fibers: Product specifications	
Sectional specification for category A1 multimode fibres	ISO/IEC 60793-2-10 (A1a.3)
Optical fibers - Interconnecting devices and passive components - basic test and measuring methods	
Fibre optic interconnecting devices and passive components	IEC 61300-3-6
Standard colours for insulation for low-frequency cables & wires	IEC 60304
ITU-T standard	G.651.1

# P | Cabling

Data sheet

Page 4/6

## OpDAT pigtail LC-PC, OM4, 4 colors

P/N

150N1JO0020E4

EAN 4251122189005

2023/06/02

Version: L

### Technical Data

#### Classifications

ETIM 5.0	EC000748
ETIM 6.0	EC000748
ETIM 7.0	EC000748
ETIM 8.0	EC000748
ETIM 9.0	EC000748

#### Packing details

Type of packaging	4 pc(s) / blister packaging
Packaging dimension	300 mm x 200 mm x 20 mm
Packaging dimension	11.811 in. x 7.874 in. x 0.787 in.



# P | Cabling

Data sheet

OpDAT pigtail LC-PC, OM4, 4 colors

Page 5/6

P/N

150N1JO0020E4

EAN 4251122189005

2023/06/02

Version: L

## Accessories

P/N	Designation
15090401-E	OpDAT crimp splice protection (12 pieces)
15090401-I	OpDAT crimp splice protection (150 pieces)
15090402-I	OpDAT shrink splice protection



# P | Cabling

Data sheet

OpDAT pigtail LC-PC, OM4, 4 colors

Page 6/6

P/N  
150N1JO0020E4  
EAN 4251122189005  
2023/06/02  
Version: L

## Illustrations

Dimensional drawing

