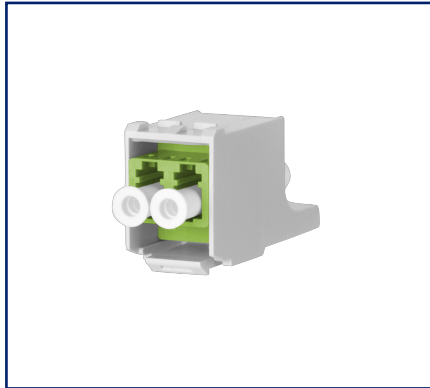


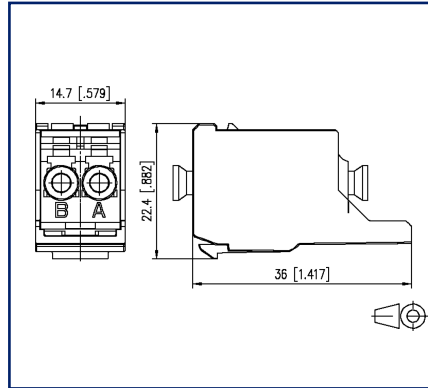
## Data sheet

### OpDAT modul LC-Duplex OM5

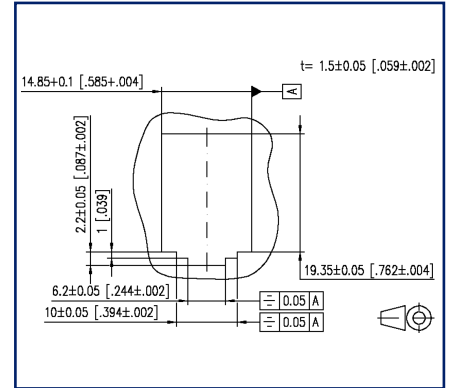
## Illustrations



Dimensional drawing



Cut-out



See enlarged drawings at the end of document

## Product specification

- LC duplex adapters with adapter, fits Modul applications
- slotted ceramic sleeve for single mode and multi mode applications
- perfect for Fiber-to-the-desk solutions
- service life min. 1000 mating cycles
- Variants: blue (OS2), lime green (OM5), violet (OM4), aqua (OM3), beige (OM2) or green (SM APC)



# P | Cabling

Data sheet

Page 2/6

## OpDAT modul LC-Duplex OM5

P/N  
1509107M-I

EAN 4251394608303

2023/04/06

Version: F

### Technical Data

#### General Data

|   |                                   |
|---|-----------------------------------|
| Fields of application                         | fiber to the desk                 |
| Mechanical measurement according to MICE      | M1                                |
| Ingress measurement according to MICE         | I1                                |
| Climatic measurement according to MICE        | C1                                |
| Electromagnetic measurement according to MICE | E3                                |
| Design  | coupler / adapter (FO)            |
| Transmission technology                       | Fiber optic                       |
| Color   | lime green                        |
| Dimensions                                    |                                   |
| Dimension (L x W x H)                         | 36 mm x 14.7 mm x 22.4 mm         |
| Dimension (L x W x H)                         | 1.417 in. x 0.579 in. x 0.882 in. |
| Modularity                                    | yes                               |
| Mode type of the fiber                        | Multimode                         |
| Labeling option                               | on housing                        |

#### Connections/interfaces

|  |      |
|--|------|
| Connector technology interface 1                 | LC-D |
| Connector technology interface 2                 | LC-D |
| Number of ports interface 1                      | 1    |
| Number of ports interface 2                      | 1    |
| Number of equipped ports interface 1             | 1    |
| Number of ports interface 2 equipped             | 1    |
| Number of ports with dust protection interface 1 | 1    |
| Number of ports with dust protection interface 2 | 1    |

#### Mechanical data

|  |                  |
|--|------------------|
| Cut-out  | SC, LC-D, E2000  |
| Connector type   | duplex           |
| Mounting method  | snap-in function |
| Life - Number of mating cycles                               | min. 1000        |
| Position/mounting of latch<br>standard installation position | top              |



# P | Cabling

Data sheet

Page 3/6

## OpDAT modul LC-Duplex OM5

P/N

1509107M-I

EAN 4251394608303

2023/04/06

Version: F

### Technical Data

#### Materials and material properties

|                    |                  |
|--------------------|------------------|
| Material - Housing | Plastics         |
| Material - Sleeve  | ceramic, slotted |
| Halogen free       | yes              |
| RoHS               | compliant        |

#### Classifications

|          |          |
|----------|----------|
| ETIM 7.0 | EC000752 |
| ETIM 8.0 | EC000752 |
| ETIM 9.0 | EC000752 |

#### Packing details

|                     |                                    |
|---------------------|------------------------------------|
| Type of packaging   | 10 pc(s) / box                     |
| Packaging dimension | 51 mm x 258 mm x 164 mm            |
| Packaging dimension | 2.008 in. x 10.157 in. x 6.457 in. |



# P | Cabling

Data sheet

Page 4/6

## OpDAT modul LC-Duplex OM5

P/N  
1509107M-I

EAN 4251394608303

2023/04/06

Version: F

### Accessories from

| P/N           | Designation  |
|---------------|--|
| 130927-1200-E | SmartConnect Patchpanel 12 ports MC module                                 |
| 130927-1200KE | SmartConnect Patchpanel 12 port Keystone, unequipped                       |
| 130927-1600-E | SmartConnect Patchpanel 16 ports MC module                                 |
| 130927-2400-E | SmartConnect Patchpanel 24 ports MC module                                 |
| 14040000-E    | MCO IP69k protective housing for outdoor use, set for exposed installation |
| 14040010-E    | MCO IP69k Protective housing for outdoor use, set with mounting bracket    |
| 14040100-E    | MCO IP69k Protective housing for outdoor use, set wall/ housing bushing    |
| 1503600RJ00-B | OpDAT MV hybrid 12xmodule cutouts unequipped IP65                          |
| 1503600RJ00-E | OpDAT MV hybrid 12xmodule cutouts unequipped IP54                          |
| 15036ZRJ00-E  | OpDAT MV patch panel 12xmodule cutouts unequipped                          |

# P | Cabling

Data sheet

## OpDAT modul LC-Duplex OM5

Page 5/6

P/N

1509107M-I

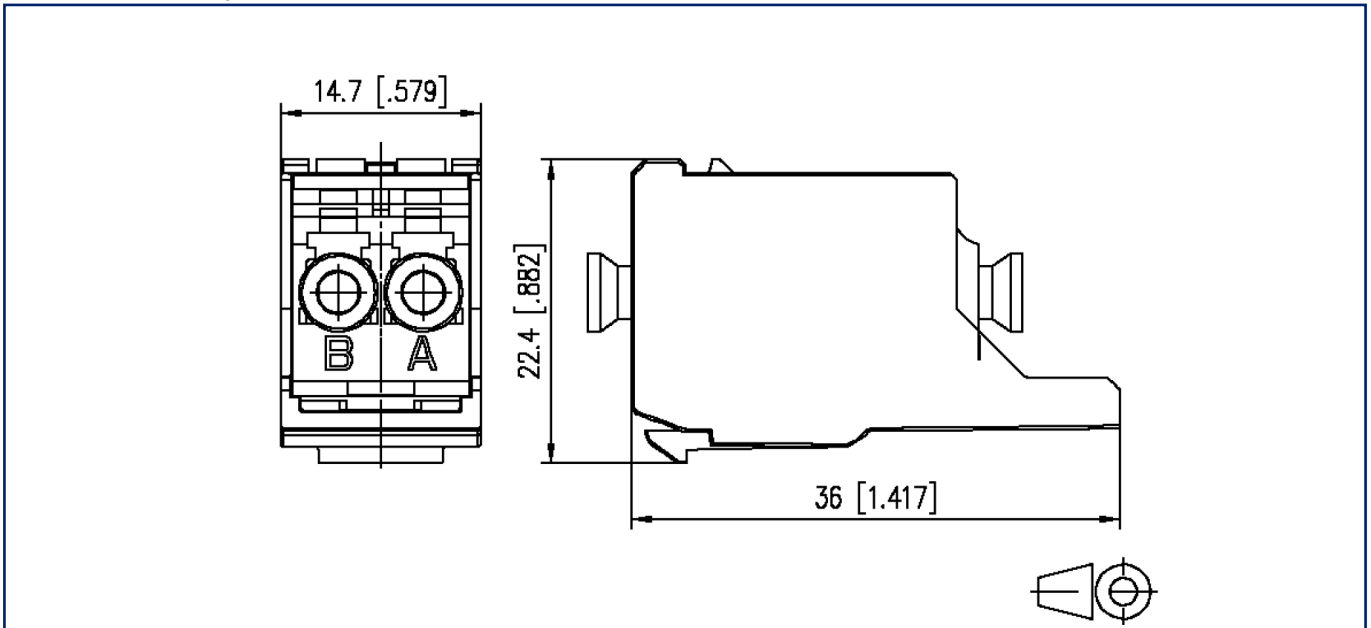
EAN 4251394608303

2023/04/06

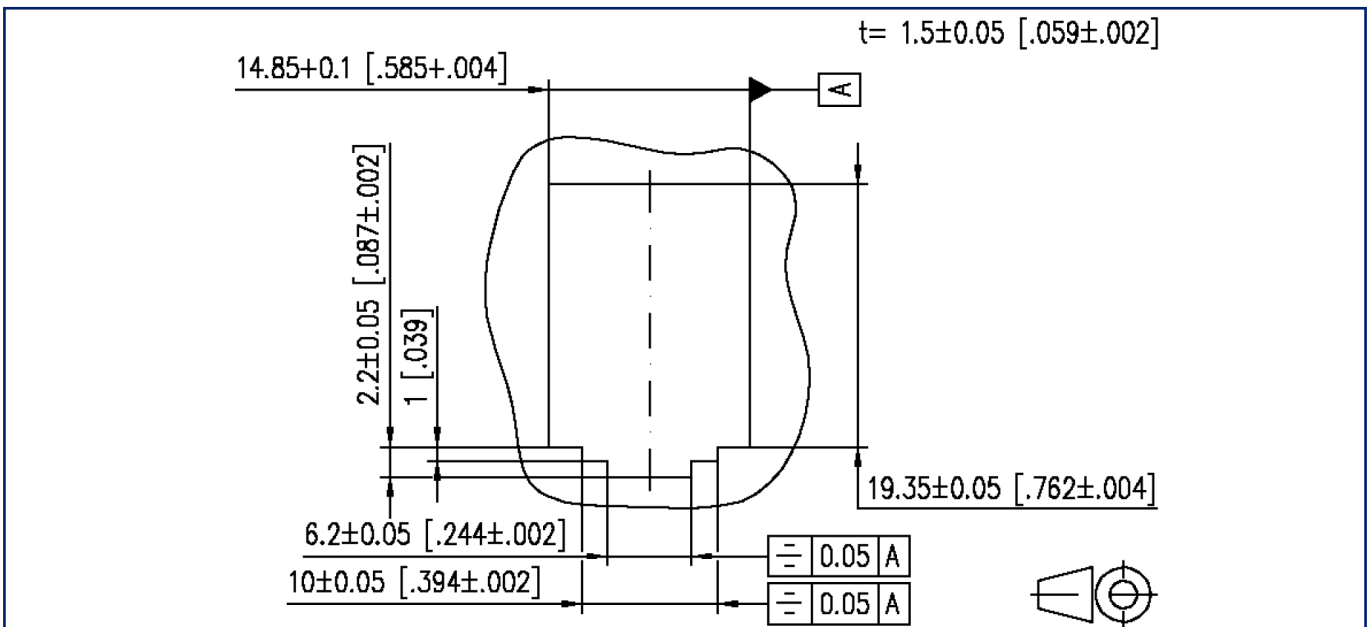
Version: F

### Illustrations

Dimensional drawing



Cut-out



# P | Cabling

Data sheet  
OpDAT modul LC-Duplex OM5

Page 6/6

P/N  
1509107M-I  
EAN 4251394608303  
2023/04/06  
Version: F

## Illustrations

Cut-out

