

Data sheet**Blind cover ST-Simplex black**

Page 1/3

P/N
15090501-I

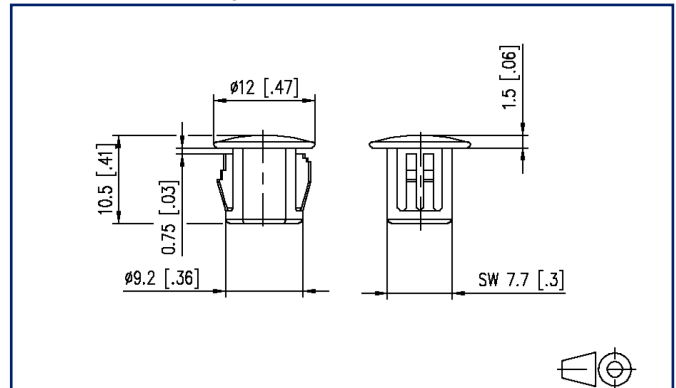
EAN 4250184109709

2023/11/22

Version: Q

Illustrations

Dimensional drawing



See enlarged drawings at the end of document

Product specification

- blank covers to close unequipped recesses for adapters in OpDAT wall outlets, in front plates of OpDAT patch panels, OpDAT REGplus or OpDAT REGpro



P | Cabling

Data sheet

Page 2/3

Blind cover ST-Simplex black

P/N

15090501-I

EAN 4250184109709

2023/11/22

Version: Q

Technical Data

General Data

Mechanical measurement according to MICE	M1
Ingress measurement according to MICE	I1
Climatic measurement according to MICE	C1
Electromagnetic measurement according to MICE	E3
Design	Blind cover
Mounting style	Accessories
Color	black
Dimensions	
Dimension (L x W x H)	10.5 mm x 12 mm x 12 mm
Dimension (L x W x H)	0.413 in. x 0.472 in. x 0.472 in.

Mechanical data

Mounting method	pluggable
-----------------	-----------

Materials and material properties

Halogen free	yes
RoHS	compliant

Classifications

ETIM 5.0	EC002066
ETIM 6.0	EC002066
ETIM 7.0	EC000723
ETIM 8.0	EC000723
ETIM 9.0	EC000723

Packing details

Type of packaging	25 pc(s) / plastic bag
Packaging unit - Weight (gram)	13 g
Packaging unit - Weight (pound)	0.03 lb
Packaging dimension	160 mm x 100 mm x 380 mm
Packaging dimension	6.299 in. x 3.937 in. x 14.961 in.

P | Cabling

Data sheet

Blind cover ST-Simplex black

Page 3/3

P/N

15090501-I

EAN 4250184109709

2023/11/22

Version: Q

Illustrations

Dimensional drawing

