

Data sheet

OpDAT adapter SC-Duplex OS2 (metal)

Page 1/5

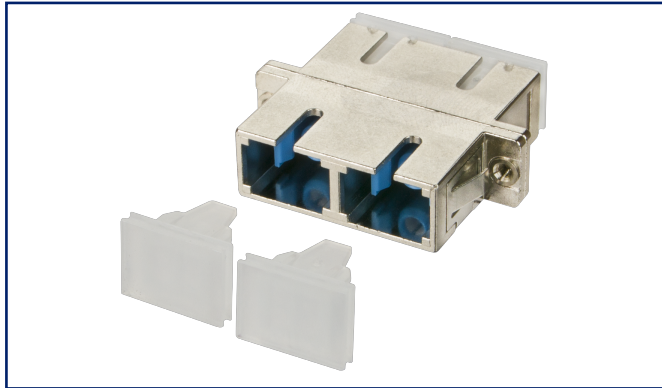
P/N
150900D2-I

EAN 4250184111733

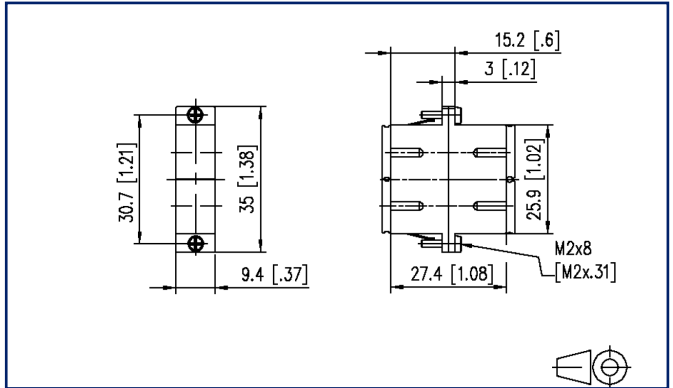
2023/04/06

Version: Q

Illustrations



Dimensional drawing



See enlarged drawings at the end of document

Product specification

- SC duplex adapter made of zinc die-cast
- slotted ceramic guide sleeves for singlemode and multimode applications
- with transparent dust protection caps for a better visibility during red light test
- high material stability, surface quality and durability
- durability min. 1000 mating cycles
- screws included
- variants: SC-D (SM or MM), SC-D APC (SM), packing units of 1 piece or 30 pieces



P | Cabling

Data sheet

Page 2/5

OpDAT adapter SC-Duplex OS2 (metal)

P/N

150900D2-I

EAN 4250184111733

2023/04/06

Version: Q

Technical Data

General Data

Mechanical measurement according to MICE	M1
Ingress measurement according to MICE	I1
Climatic measurement according to MICE	C1
Electromagnetic measurement according to MICE	E3
Design	coupler / adapter (FO)
Transmission technology	Fiber optic
Color	metallike
Dimensions	
Dimension (L x W x H)	27.4 mm x 34.7 mm x 9.4 mm
Dimension (L x W x H)	1.079 in. x 1.366 in. x 0.37 in.
Mode type of the fiber	Singlemode
Labeling option	on housing

Connections/interfaces

Connector technology interface 1	SC-D
Connector technology interface 2	SC-D
Number of ports interface 1	1
Number of ports interface 2	1
Number of equipped ports interface 1	1
Number of ports interface 2 equipped	1
Number of ports with dust protection interface 1	1
Number of ports with dust protection interface 2	1

Mechanical data

Cut-out	SC-D, LC-Q, ST-D
Connector type	duplex
Mounting method	latchable and screwable
Life - Number of mating cycles	min. 1000

Materials and material properties

Material - Housing	GD-Zn (zinc die-cast)
Material - Sleeve	ceramic, slotted
Halogen free	yes
RoHS	compliant



P | Cabling

Data sheet

Page 3/5

OpDAT adapter SC-Duplex OS2 (metal)

P/N

150900D2-I

EAN 4250184111733

2023/04/06

Version: Q

Technical Data

Environmental conditions

Temperature (min. - max.)

Temperature - Storage °C	-40 °C - 90 °C
Temperature - Storage °F	-40 °F - 194 °F
Temperature - Operating °C	-40 °C - 85 °C
Temperature - Operating °F	-40 °F - 185 °F

Standards/Regulations

Fibre optic connector interfaces	IEC 61754-2
----------------------------------	-------------

Classifications

ETIM 5.0	EC000752
ETIM 6.0	EC000752
ETIM 7.0	EC000752
ETIM 8.0	EC000752
ETIM 9.0	EC000752

Packing details

Type of packaging	1 pc(s) / plastic bag
Packaging unit - Weight (gram)	22 g
Packaging unit - Weight (pound)	0.05 lb
Packaging dimension	380 mm x 160 mm x 100 mm
Packaging dimension	14.961 in. x 6.299 in. x 3.937 in.

P | Cabling

Data sheet

Page 4/5

OpDAT adapter SC-Duplex OS2 (metal)

P/N
150900D2-I

EAN 4250184111733

2023/04/06

Version: Q

Accessories from

P/N	Designation
1502005200-E	OpDAT PF patch panel for 12xSC-Duplex/LC-Q/ST-Duplex
1502205200-E	OpDAT PA patch panel for 12xSC-Duplex/LC-Quad/ST-Duplex
150240000010E	OpDAT REGplus for 6xSC-Duplex for crimp splice holder
150240000010S	OpDAT REGplus for 6xSC-Duplex for shrink splice holder
15024A5200-E	OpDAT REGpro front cover for 6xSC-D/6xLC-Q
150250B200-E	OpDAT fix patch panel for 24xSC-Duplex/LC-Quad/ST-Duplex
150260B200-E	OpDAT slide patch panel for 24xSC-Duplex/LC-Quad/ST-Duplex
15036Z1B00-E	OpDAT MV patch panel 18xSC-S unequipped



P | Cabling

Data sheet

OpDAT adapter SC-Duplex OS2 (metal)

Page 5/5

P/N
150900D2-I

EAN 4250184111733

2023/04/06

Version: Q

Illustrations

Dimensional drawing

