

## Data sheet

### OpDAT adapter LC-Quad OM5 - 30 pieces

Page 1/4

P/N

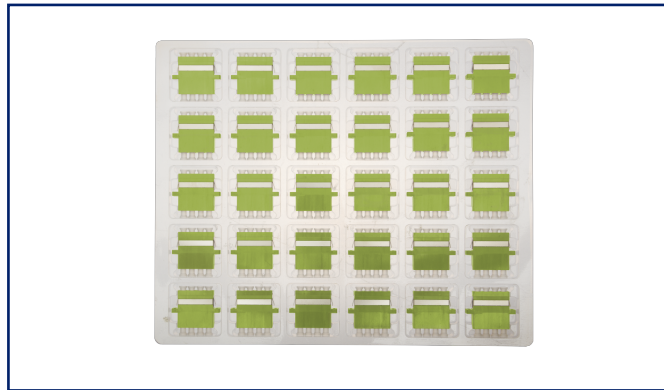
1509007L-30

EAN 4251394604503

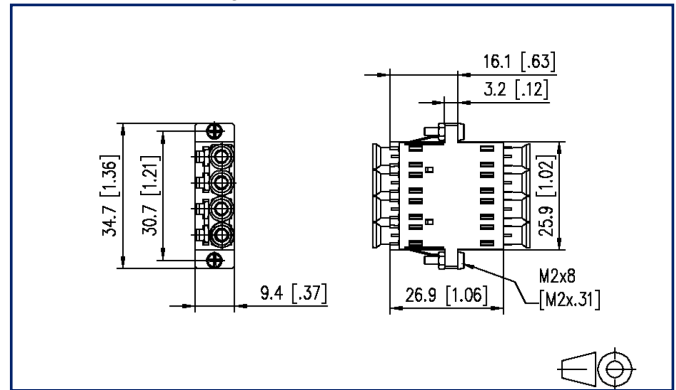
2023/04/06

Version: D

## Illustrations



Dimensional drawing



See enlarged drawings at the end of document

## Product specification

- LC Quad plastic adapter, SC duplex design with metal clip
- slotted ceramic guide sleeves for single mode and multimode applications
- with transparent dust protection caps for a better visibility during red light test
- high material stability, surface quality and durability
- durability min. 1000 mating cycles with a ceramic guide sleeve
- screws and nuts included
- variants: blue (OS2), green (OS2 APC), lime green (OM5), violet (OM4), aqua (OM3), each variant available in packing units of 1 piece or 30 pieces

# P | Cabling

Data sheet

Page 2/4

## OpDAT adapter LC-Quad OM5 - 30 pieces

P/N

1509007L-30

EAN 4251394604503

2023/04/06

Version: D

### Technical Data

#### General Data

Fields of application	structured building cabling fiber to the desk data center
Design	coupler / adapter (FO)
Transmission technology	Fiber optic
Color	lime green
Dimensions	
Dimension (L x W x H)	25.5 mm x 34.7 mm x 9.4 mm
Dimension (L x W x H)	1.004 in. x 1.366 in. x 0.37 in.
Mode type of the fiber	Multimode
Labeling option	on housing

#### Connections/interfaces

Number of ports interface 1	2
Number of ports interface 2	2
Number of equipped ports interface 1	2
Number of ports interface 2 equipped	2
Number of ports with dust protection interface 1	2
Number of ports with dust protection interface 2	2

#### Mechanical data

Cut-out	SC-D, LC-Q, ST-D
Connector type	duplex
Mounting method	latchable and screwable
Life - Number of mating cycles	min. 1000
Position/mounting of latch standard installation position	top

#### Materials and material properties

Material - Housing	Plastics
Material - Sleeve	ceramic, slotted
Halogen free	yes
RoHS	compliant



# P | Cabling

Data sheet

Page 3/4

## OpDAT adapter LC-Quad OM5 - 30 pieces

P/N

1509007L-30

EAN 4251394604503

2023/04/06

Version: D

### Technical Data

#### Standards/Regulations

Fibre optic connector interfaces	IEC 61754-20
----------------------------------	--------------

#### Classifications

ETIM 5.0	EC000752
ETIM 6.0	EC000752
ETIM 7.0	EC000752
ETIM 8.0	EC000752

#### Packing details

Type of packaging	1 pc(s) / plastic bag
Packaging unit - Weight (gram)	17 g
Packaging unit - Weight (pound)	0.04 lb
Packaging dimension	380 mm x 160 mm x 100 mm
Packaging dimension	14.961 in. x 6.299 in. x 3.937 in.

# P | Cabling

Data sheet

OpDAT adapter LC-Quad OM5 - 30 pieces

Page 4/4

P/N

1509007L-30

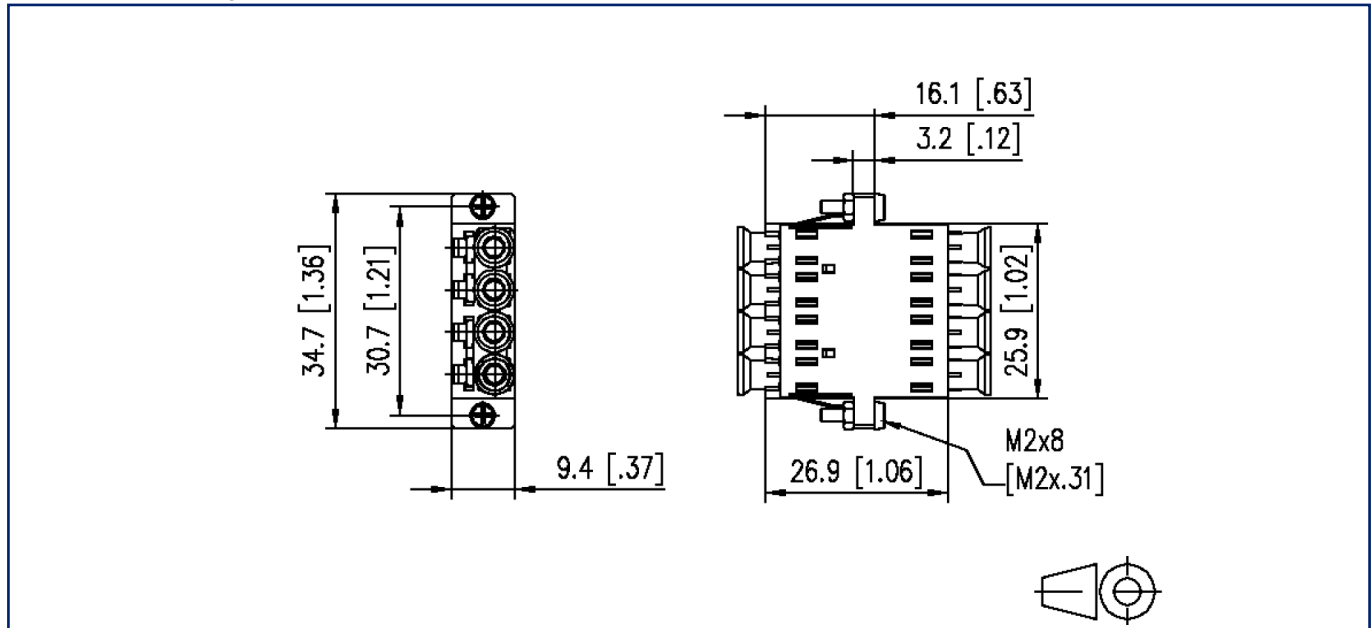
EAN 4251394604503

2023/04/06

Version: D

## Illustrations

Dimensional drawing



© 2023 METZ CONNECT - Technische Änderungen vorbehalten! Subject to modifications! Sous réserve de modifications techniques!

