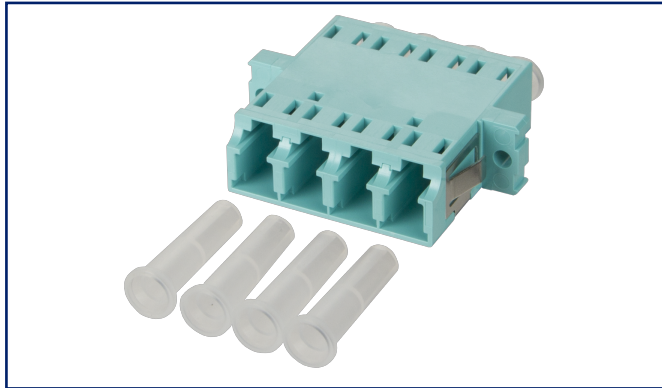


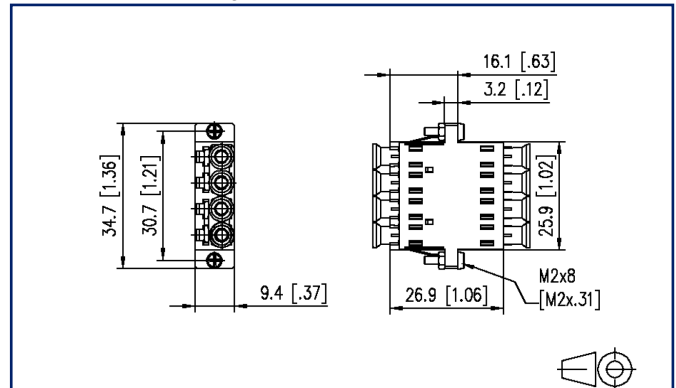
## Data sheet

### OpDAT adapter LC-Quad OM3

## Illustrations



Dimensional drawing



See enlarged drawings at the end of document

## Product specification

- LC Quad plastic adapter, SC duplex design with metal clip
- slotted ceramic guide sleeves for single mode and multimode applications
- with transparent dust protection caps for a better visibility during red light test
- high material stability, surface quality and durability
- durability min. 1000 mating cycles with a ceramic guide sleeve
- screws and nuts included
- variants: blue (OS2), green (OS2 APC), lime green (OM5), violet (OM4), aqua (OM3), each variant available in packing units of 1 piece or 30 pieces

# P | Cabling

## Data sheet OpDAT adapter LC-Quad OM3

Page 2/5

P/N  
15090078-I  
EAN 4250184149347  
2023/04/06  
Version: AA

### Technical Data

#### General Data

Fields of application	structured building cabling fiber to the desk data center
Mechanical measurement according to MICE	M1
Ingress measurement according to MICE	I1
Climatic measurement according to MICE	C1
Electromagnetic measurement according to MICE	E3
Design	coupler / adapter (FO)
Transmission technology	Fiber optic
Color	aqua
Dimensions	
Dimension (L x W x H)	25.5 mm x 34.7 mm x 9.4 mm
Dimension (L x W x H)	1.004 in. x 1.366 in. x 0.37 in.
Mode type of the fiber	Multimode
Labeling option	on housing

#### Connections/interfaces

Number of ports interface 1	2
Number of ports interface 2	2
Number of equipped ports interface 1	2
Number of ports interface 2 equipped	2
Number of ports with dust protection interface 1	2
Number of ports with dust protection interface 2	2

#### Mechanical data

Cut-out	SC-D, LC-Q, ST-D
Connector type	duplex
Mounting method	latchable and screwable
Life - Number of mating cycles	min. 1000
Position/mounting of latch standard installation position	top

# P | Cabling

## Data sheet OpDAT adapter LC-Quad OM3

Page 3/5

P/N  
15090078-I

EAN 4250184149347

2023/04/06

Version: AA

### Technical Data

#### Materials and material properties

Material - Housing	Plastics
Material - Sleeve	ceramic, slotted
Halogen free	yes
RoHS	compliant

#### Standards/Regulations

Fibre optic connector interfaces	IEC 61754-20
----------------------------------	--------------

#### Classifications

ETIM 5.0	EC000752
ETIM 6.0	EC000752
ETIM 7.0	EC000752
ETIM 8.0	EC000752
ETIM 9.0	EC000752

#### Packing details

Type of packaging	1 pc(s) / plastic bag
Packaging unit - Weight (gram)	17 g
Packaging unit - Weight (pound)	0.04 lb
Packaging dimension	380 mm x 160 mm x 100 mm
Packaging dimension	14.961 in. x 6.299 in. x 3.937 in.



# P | Cabling

Data sheet

Page 4/5

## OpDAT adapter LC-Quad OM3

P/N

15090078-I

EAN 4250184149347

2023/04/06

Version: AA

### Accessories from

P/N	Designation
1502005200-E	OpDAT PF patch panel for 12xSC-Duplex/LC-Q/ST-Duplex
1502205200-E	OpDAT PA patch panel for 12xSC-Duplex/LC-Quad/ST-Duplex
150240000010E	OpDAT REGplus for 6xSC-Duplex for crimp splice holder
150240000010S	OpDAT REGplus for 6xSC-Duplex for shrink splice holder
15024A5200-E	OpDAT REGpro front cover for 6xSC-D/6xLC-Q
150250B200-E	OpDAT fix patch panel for 24xSC-Duplex/LC-Quad/ST-Duplex



# P | Cabling

Data sheet

## OpDAT adapter LC-Quad OM3

Page 5/5

P/N

15090078-I

EAN 4250184149347

2023/04/06

Version: AA

### Illustrations

Dimensional drawing

