

## Data sheet

### OpDAT adapter LC-Duplex APC OS2 - 50 pieces

Page 1/6

P/N

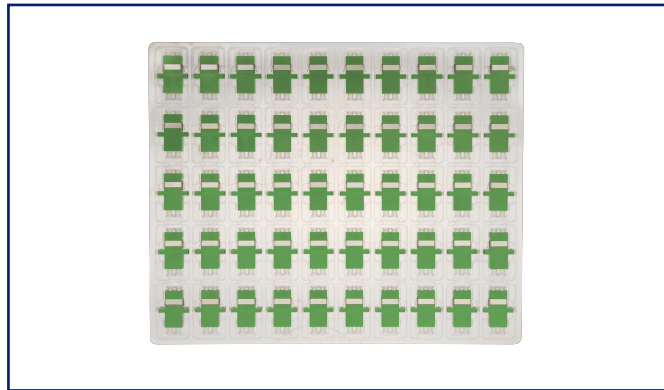
15090076-50

EAN 4251122189418

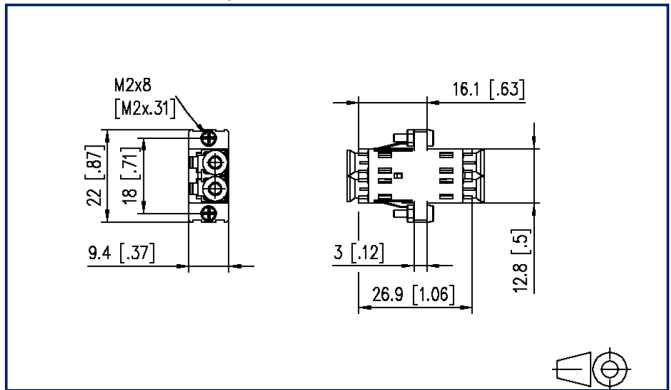
2023/04/06

Version: J

## Illustrations



Dimensional drawing



See enlarged drawings at the end of document

## Product specification

- LC duplex plastic adapter, SC simplex design with metal clip
- slotted ceramic guide sleeves for single mode and multimode applications
- with transparent dust protection caps for a better visibility during red light test
- high material stability, surface quality and durability
- durability min. 1000 mating cycles with a ceramic guide sleeve
- screws and nuts included
- variants: blue (OS2), green (OS2 APC), lime green (OM5), violet (OM4), aqua (OM3), each variant available in packing units of 1 piece or 50 pieces

### Technical Data

#### General Data

Fields of application	structured building cabling fiber to the desk data center
Mechanical measurement according to MICE	M1
Ingress measurement according to MICE	I1
Climatic measurement according to MICE	C1
Electromagnetic measurement according to MICE	E3
Design	coupler / adapter (FO)
Transmission technology	Fiber optic
Color	green
Dimensions	
Dimension (L x W x H)	29.2 mm x 12.8 mm x 9.4 mm
Dimension (L x W x H)	1.15 in. x 0.504 in. x 0.37 in.
Mode type of the fiber	Singlemode
Shape	APC (Angled Physical Contact)
Labeling option	on housing

#### Connections/interfaces

Connector technology interface 1	LC-D
Connector technology interface 2	LC-D
Number of ports interface 1	1
Number of ports interface 2	1
Number of equipped ports interface 1	1
Number of ports interface 2 equipped	1
Number of ports with dust protection interface 1	1
Number of ports with dust protection interface 2	1

#### Mechanical data

Cut-out	SC, LC-D, E2000
Connector type	duplex
Mounting method	latchable and screwable
Life - Number of mating cycles	min. 1000
Position/mounting of latch standard installation position	top

# P | Cabling

Data sheet

Page 3/6

## OpDAT adapter LC-Duplex APC OS2 - 50 pieces

P/N

15090076-50

EAN 4251122189418

2023/04/06

Version: J

### Technical Data

#### Materials and material properties

Material - Housing	Plastics
Material - Sleeve	ceramic, slotted
Halogen free	yes
RoHS	compliant

#### Standards/Regulations

Fibre optic connector interfaces	IEC 61754-20
----------------------------------	--------------

#### Classifications

ETIM 5.0	EC000752
ETIM 6.0	EC000752
ETIM 7.0	EC000752
ETIM 8.0	EC000752
ETIM 9.0	EC000752

#### Packing details

Type of packaging	1 pc(s) / plastic bag
Packaging dimension	380 mm x 160 mm x 100 mm
Packaging dimension	14.961 in. x 6.299 in. x 3.937 in.

# P | Cabling

Data sheet

Page 4/6

## OpDAT adapter LC-Duplex APC OS2 - 50 pieces

P/N

15090076-50

EAN 4251122189418

2023/04/06

Version: J

### Accessories

P/N	Designation
1502007300-E	OpDAT PF patch panel for 24xLC-Duplex/SC-Simplex/E2000-Simplex
1502200200-E	OpDAT PA patch panel unequipped for 24xLC-D/SC-S/E2000, gray
15024A0200-E	OpDAT REGpro front cover for 12xE2000/12xSC-S
1502507300-E	OpDAT fix patch panel for 24xLC-Duplex/SC-Simplex/E2000

# P | Cabling

Data sheet

Page 5/6

## OpDAT adapter LC-Duplex APC OS2 - 50 pieces

P/N

15090076-50

EAN 4251122189418

2023/04/06

Version: J

### Accessories from

P/N	Designation
14040000-E	MCO IP69k protective housing for outdoor use, set for exposed installation
14040010-E	MCO IP69k Protective housing for outdoor use, set with mounting bracket
14040100-E	MCO IP69k Protective housing for outdoor use, set wall/ housing bushing

# P | Cabling

Data sheet

OpDAT adapter LC-Duplex APC OS2 - 50 pieces

Page 6/6

P/N

15090076-50

EAN 4251122189418

2023/04/06

Version: J

## Illustrations

Dimensional drawing

