

## Data sheet

### OpDAT adapter SC-Duplex OM2 (metal) - 30 pieces

Page 1/5

P/N

15090052-30

EAN 4251122189371

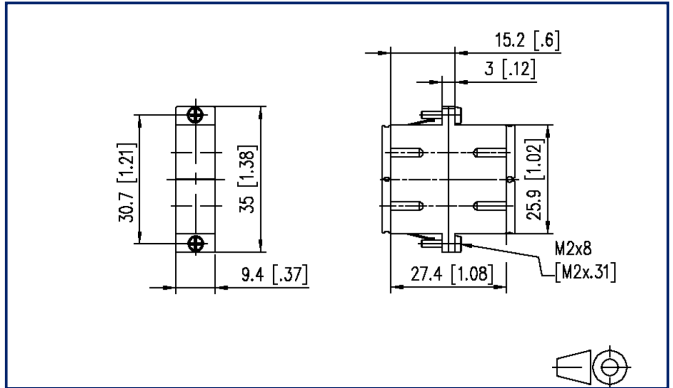
2023/04/06

Version: J

## Illustrations



Dimensional drawing



See enlarged drawings at the end of document

## Product specification

- SC duplex adapter made of zinc die-cast
- slotted ceramic guide sleeves for singlemode and multimode applications
- with transparent dust protection caps for a better visibility during red light test
- high material stability, surface quality and durability
- durability min. 1000 mating cycles
- screws included
- variants: SC-D (SM or MM), SC-D APC (SM), packing units of 1 piece or 30 pieces



# P | Cabling

Data sheet

Page 2/5

## OpDAT adapter SC-Duplex OM2 (metal) - 30 pieces

P/N

15090052-30

EAN 4251122189371

2023/04/06

Version: J

### Technical Data

#### General Data

Fields of application	structured building cabling fiber to the desk data center
Design	coupler / adapter (FO)
Transmission technology	Fiber optic
Color	metallike
Dimensions	
Dimension (L x W x H)	25.6 mm x 27.3 mm x 9.4 mm
Dimension (L x W x H)	1.008 in. x 1.075 in. x 0.37 in.
Mode type of the fiber	Multimode
Labeling option	on housing

#### Connections/interfaces

Connector technology interface 1	SC-D
Connector technology interface 2	SC-D
Number of ports interface 1	1
Number of ports interface 2	1
Number of equipped ports interface 1	1
Number of ports interface 2 equipped	1
Number of ports with dust protection interface 1	1
Number of ports with dust protection interface 2	1

#### Mechanical data

Cut-out	SC-D, LC-Q, ST-D
Connector type	duplex
Mounting method	latchable and screwable
Life - Number of mating cycles	min. 1000

#### Materials and material properties

Material - Housing	GD-Zn (zinc die-cast)
Material - Sleeve	ceramic, slotted
Halogen free	yes
RoHS	compliant

# P | Cabling

Data sheet

Page 3/5

## OpDAT adapter SC-Duplex OM2 (metal) - 30 pieces

P/N

15090052-30

EAN 4251122189371

2023/04/06

Version: J

### Technical Data

#### Environmental conditions

Temperature (min. - max.)

Temperature - Storage °C -40 °C - 90 °C

Temperature - Storage °F -40 °F - 194 °F

Temperature - Operating °C -40 °C - 85 °C

Temperature - Operating °F -40 °F - 185 °F

#### Standards/Regulations

Fibre optic connector interfaces IEC 61754-4

#### Classifications

ETIM 5.0 EC000752

ETIM 6.0 EC000752

ETIM 7.0 EC000752

ETIM 8.0 EC000752

#### Packing details

Type of packaging 1 pc(s) / plastic bag

Packaging dimension 380 mm x 160 mm x 100 mm

Packaging dimension 14.961 in. x 6.299 in. x 3.937 in.

# P | Cabling

Data sheet

Page 4/5

## OpDAT adapter SC-Duplex OM2 (metal) - 30 pieces

P/N

15090052-30

EAN 4251122189371

2023/04/06

Version: J

### Accessories from

P/N	Designation
1502005200-E	OpDAT PF patch panel for 12xSC-Duplex/LC-Q/ST-Duplex
1502205200-E	OpDAT PA patch panel for 12xSC-Duplex/LC-Quad/ST-Duplex
15024000010E	OpDAT REGplus for 6xSC-Duplex for crimp splice holder
15024000010S	OpDAT REGplus for 6xSC-Duplex for shrink splice holder
15024A5200-E	OpDAT REGpro front cover for 6xSC-D/6xLC-Q
150250B200-E	OpDAT fix patch panel for 24xSC-Duplex/LC-Quad/ST-Duplex



# P | Cabling

Data sheet

Page 5/5

## OpDAT adapter SC-Duplex OM2 (metal) - 30 pieces

P/N

15090052-30

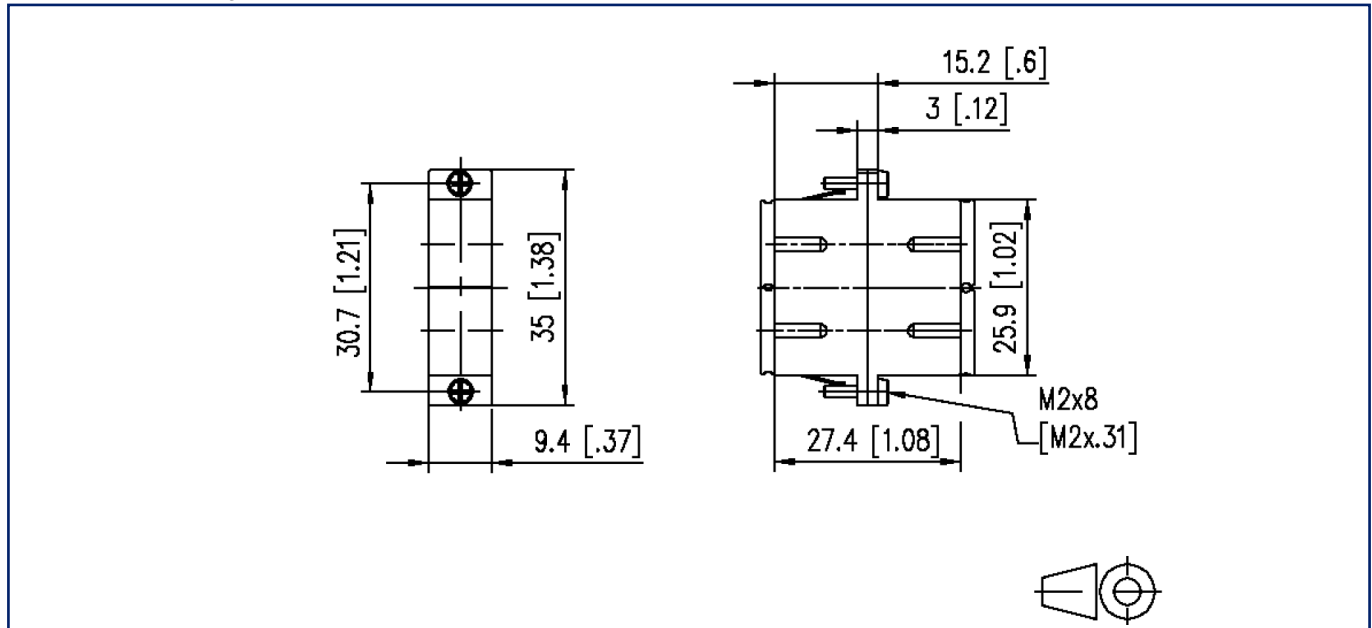
EAN 4251122189371

2023/04/06

Version: J

### Illustrations

Dimensional drawing



© 2023 METZ CONNECT - Technische Änderungen vorbehalten! Subject to modifications! Sous réserve de modifications techniques!

