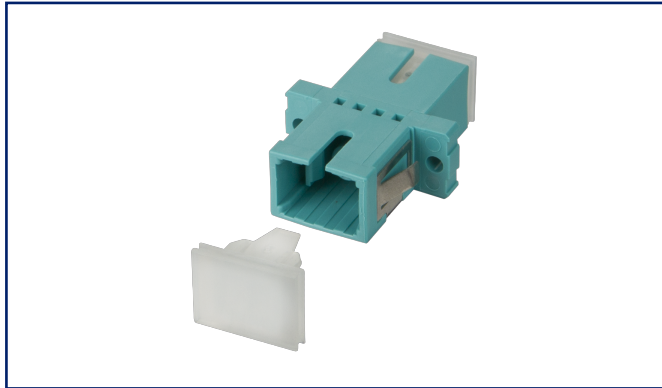


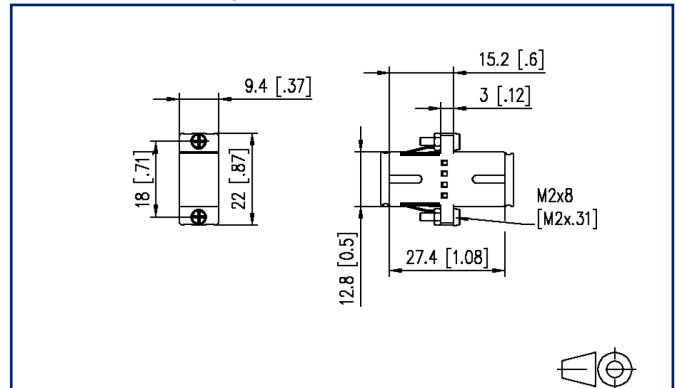
Data sheet

OpDAT adapter SC-Simplex OM3

Illustrations



Dimensional drawing



See enlarged drawings at the end of document

Product specification

- SC simplex plastic adapter with metal clip
- slotted ceramic guide sleeve for single mode and multimode applications
- with transparent dust protection caps for a better visibility during red light test
- high material stability, surface quality and durability
- durability min. 1000 mating cycles with a ceramic guide sleeve
- screws and nuts included
- variants: blue (SM), green (SM APC), violet (OM4), aqua (OM3), beige (OM2), each variant available in packing units of 1 piece or 50 pieces



P | Cabling

Data sheet OpDAT adapter SC-Simplex OM3

Page 2/5

P/N
1509001C-I
EAN 4251122190285
2023/04/06
Version: R

Technical Data

General Data

| | |
|---|---|
| Fields of application | structured building cabling fiber to the desk data center |
| Mechanical measurement according to MICE | M1 |
| Ingress measurement according to MICE | I1 |
| Climatic measurement according to MICE | C1 |
| Electromagnetic measurement according to MICE | E3 |
| Design | coupler / adapter (FO) |
| Color | aqua |
| Dimensions | |
| Dimension (L x W x H) | 27.4 mm x 22 mm x 9.4 mm |
| Dimension (L x W x H) | 1.079 in. x 0.866 in. x 0.37 in. |
| Mode type of the fiber | Multimode |
| Shape | PC (Physical Contact) |

Connections/interfaces

| | |
|----------------------------------|----|
| Connector technology interface 1 | SC |
| Connector technology interface 2 | SC |

Electrical characteristics

| | |
|----------------|-------------|
| Insertion loss | max. 0.2 dB |
|----------------|-------------|

Mechanical data

| | |
|--------------------------------|-----------------|
| Cut-out | SC, LC-D, E2000 |
| Connector type | simplex |
| Life - Number of mating cycles | min. 1000 |

Materials and material properties

| | |
|--------------------|------------------|
| Material - Housing | Plastics |
| Material - Sleeve | ceramic, slotted |
| Halogen free | yes |
| RoHS | compliant |

P | Cabling

Data sheet

Page 3/5

OpDAT adapter SC-Simplex OM3

P/N

1509001C-I

EAN 4251122190285

2023/04/06

Version: R

Technical Data

Environmental conditions

Temperature (min. - max.)

Temperature - Storage °C -40 °C - 80 °C

Temperature - Storage °F -40 °F - 176 °F

Temperature - Operating °C -40 °C - 80 °C

Temperature - Operating °F -40 °F - 176 °F

Classifications

ETIM 5.0 EC000752

ETIM 6.0 EC000752

ETIM 7.0 EC000752

ETIM 8.0 EC000752

ETIM 9.0 EC000752

Packing details

Type of packaging 1 pc(s) / plastic bag

Packaging dimension 380 mm x 160 mm x 100 mm

Packaging dimension 14.961 in. x 6.299 in. x 3.937 in.



P | Cabling

Data sheet

Page 4/5

OpDAT adapter SC-Simplex OM3

P/N

1509001C-I

EAN 4251122190285

2023/04/06

Version: R

Accessories from

| P/N | Designation |
|--------------|--|
| 14040000-E | MCO IP69k protective housing for outdoor use, set for exposed installation |
| 14040010-E | MCO IP69k Protective housing for outdoor use, set with mounting bracket |
| 14040100-E | MCO IP69k Protective housing for outdoor use, set wall/ housing bushing |
| 1502607300-E | OpDAT slide patch panel for 24xLC-Duplex/SC-Simplex/E2000 |

P | Cabling

Data sheet

OpDAT adapter SC-Simplex OM3

Page 5/5

P/N

1509001C-I

EAN 4251122190285

2023/04/06

Version: R

Illustrations

Dimensional drawing

