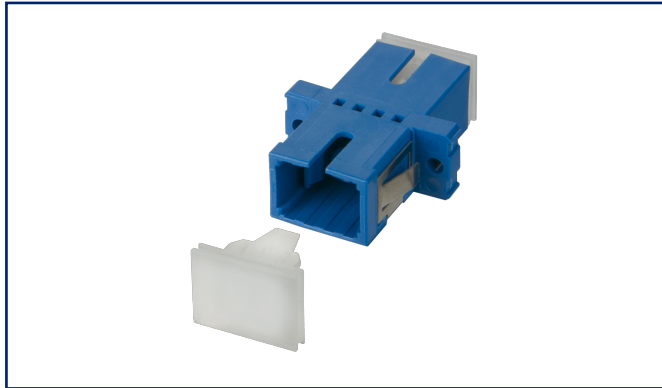


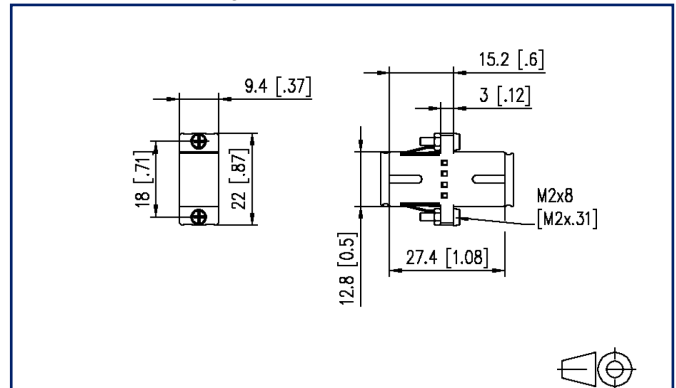
Data sheet

OpDAT adapter SC-Simplex UPC OS2

Illustrations



Dimensional drawing



See enlarged drawings at the end of document

Product specification

- SC simplex plastic adapter with metal clip
- slotted ceramic guide sleeve for single mode and multimode applications
- with transparent dust protection caps for a better visibility during red light test
- high material stability, surface quality and durability
- durability min. 1000 mating cycles with a ceramic guide sleeve
- screws and nuts included
- variants: blue (SM), green (SM APC), violet (OM4), aqua (OM3), beige (OM2), each variant available in packing units of 1 piece or 50 pieces



P | Cabling

Data sheet

Page 2/5

OpDAT adapter SC-Simplex UPC OS2

P/N

1509001B-I

EAN 4250184196280

2023/04/06

Version: U

Technical Data

General Data

Fields of application	structured building cabling fiber to the desk data center
Mechanical measurement according to MICE	M1
Ingress measurement according to MICE	I1
Climatic measurement according to MICE	C1
Electromagnetic measurement according to MICE	E3
Design	coupler / adapter (FO)
Color	blue
Dimensions	
Dimension (L x W x H)	27.4 mm x 22 mm x 9.4 mm
Dimension (L x W x H)	1.079 in. x 0.866 in. x 0.37 in.
Mode type of the fiber	Singlemode
Shape	UPC (Ultra Physical Contact)

Connections/interfaces

Connector technology interface 1	SC
Connector technology interface 2	SC

Electrical characteristics

Insertion loss	max. 0.2 dB
----------------	-------------

Mechanical data

Cut-out	SC, LC-D, E2000
Connector type	simplex
Life - Number of mating cycles	min. 1000

Materials and material properties

Material - Housing	Plastics
Material - Sleeve	ceramic, slotted
Halogen free	yes
RoHS	compliant



P | Cabling

Data sheet

Page 3/5

OpDAT adapter SC-Simplex UPC OS2

P/N

1509001B-I

EAN 4250184196280

2023/04/06

Version: U

Technical Data

Environmental conditions

Temperature (min. - max.)

Temperature - Storage °C -40 °C - 80 °C

Temperature - Storage °F -40 °F - 176 °F

Temperature - Operating °C -40 °C - 80 °C

Temperature - Operating °F -40 °F - 176 °F

Classifications

ETIM 5.0 EC000752

ETIM 6.0 EC000752

ETIM 7.0 EC000752

ETIM 8.0 EC000752

ETIM 9.0 EC000752

Packing details

Type of packaging 1 pc(s) / plastic bag

Packaging dimension 380 mm x 160 mm x 100 mm

Packaging dimension 14.961 in. x 6.299 in. x 3.937 in.



P | Cabling

Data sheet

Page 4/5

OpDAT adapter SC-Simplex UPC OS2

P/N

1509001B-I

EAN 4250184196280

2023/04/06

Version: U

Accessories from

P/N	Designation
14040000-E	MCO IP69k protective housing for outdoor use, set for exposed installation
14040010-E	MCO IP69k Protective housing for outdoor use, set with mounting bracket
14040100-E	MCO IP69k Protective housing for outdoor use, set wall/ housing bushing
1502607300-E	OpDAT slide patch panel for 24xLC-Duplex/SC-Simplex/E2000

P | Cabling

Data sheet

OpDAT adapter SC-Simplex UPC OS2

Page 5/5

P/N

1509001B-I

EAN 4250184196280

2023/04/06

Version: U

Illustrations

Dimensional drawing

