

Data sheet

OpDAT adapter SC-Simplex APC OS2 - 50 pieces

Page 1/5

P/N

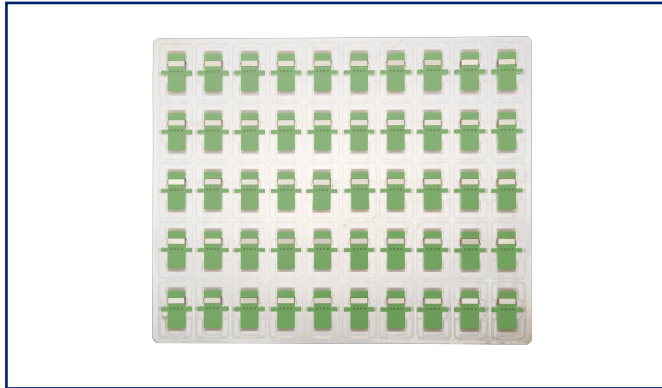
1509001A-50

EAN 4251122189333

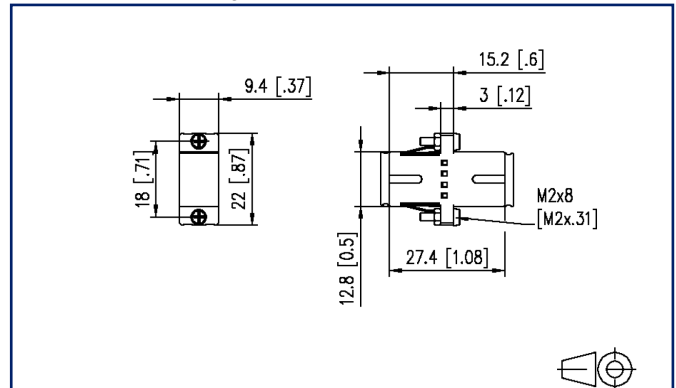
2023/04/06

Version: H

Illustrations



Dimensional drawing



See enlarged drawings at the end of document

Product specification

- SC simplex plastic adapter with metal clip
- slotted ceramic guide sleeve for single mode and multimode applications
- with transparent dust protection caps for a better visibility during red light test
- high material stability, surface quality and durability
- durability min. 1000 mating cycles with a ceramic guide sleeve
- screws and nuts included
- variants: blue (SM), green (SM APC), violet (OM4), aqua (OM3), beige (OM2), each variant available in packing units of 1 piece or 50 pieces



OpDAT adapter SC-Simplex APC OS2 - 50 pieces

P/N

1509001A-50

EAN 4251122189333

2023/04/06

Version: H

Technical Data

General Data

Fields of application	structured building cabling fiber to the desk data center
Design	coupler / adapter (FO)
Color	green
Dimensions	
Dimension (L x W x H)	27.4 mm x 22 mm x 9.4 mm
Dimension (L x W x H)	1.079 in. x 0.866 in. x 0.37 in.
Mode type of the fiber	Singlemode
Shape	APC (Angled Physical Contact)

Connections/interfaces

Connector technology interface 1	SC
Connector technology interface 2	SC

Electrical characteristics

Insertion loss	max. 0.2 dB
----------------	-------------

Mechanical data

Cut-out	SC, LC-D, E2000
Connector type	simplex
Life - Number of mating cycles	min. 1000

Materials and material properties

Material - Housing	Plastics
Material - Sleeve	ceramic, slotted
Halogen free	yes
RoHS	compliant

Environmental conditions

Temperature (min. - max.)	
Temperature - Storage °C	-40 °C - 80 °C
Temperature - Storage °F	-40 °F - 176 °F
Temperature - Operating °C	-40 °C - 80 °C

P | Cabling

Data sheet

Page 3/5

OpDAT adapter SC-Simplex APC OS2 - 50 pieces

P/N

1509001A-50

EAN 4251122189333

2023/04/06

Version: H

Technical Data

Environmental conditions

Temperature (min. - max.)

Temperature - Operating °F -40 °F - 176 °F

Classifications

ETIM 5.0	EC000752
ETIM 6.0	EC000752
ETIM 7.0	EC000752
ETIM 8.0	EC000752

Packing details

Type of packaging	1 pc(s) / plastic bag
Packaging dimension	380 mm x 160 mm x 100 mm
Packaging dimension	14.961 in. x 6.299 in. x 3.937 in.

P | Cabling

Data sheet

Page 4/5

OpDAT adapter SC-Simplex APC OS2 - 50 pieces

P/N

1509001A-50

EAN 4251122189333

2023/04/06

Version: H

Accessories from

P/N	Designation
14040000-E	MCO IP69k protective housing for outdoor use, set for exposed installation
14040010-E	MCO IP69k Protective housing for outdoor use, set with mounting bracket
14040100-E	MCO IP69k Protective housing for outdoor use, set wall/ housing bushing

P | Cabling

Data sheet

Page 5/5

OpDAT adapter SC-Simplex APC OS2 - 50 pieces

P/N

1509001A-50

EAN 4251122189333

2023/04/06

Version: H

Illustrations

Dimensional drawing

