

Data sheet**OpDAT cable guide for OpDAT 4 UP**

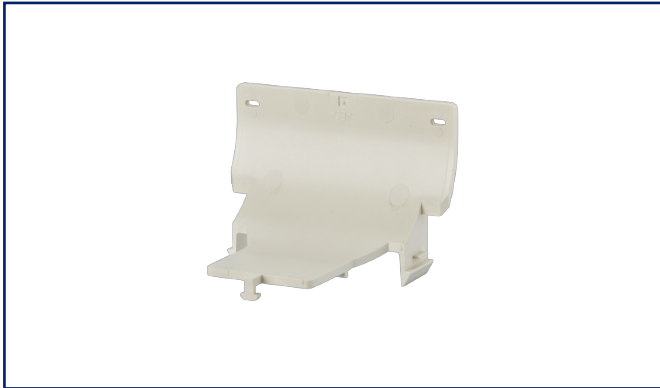
Page 1/4

P/N
150810-I

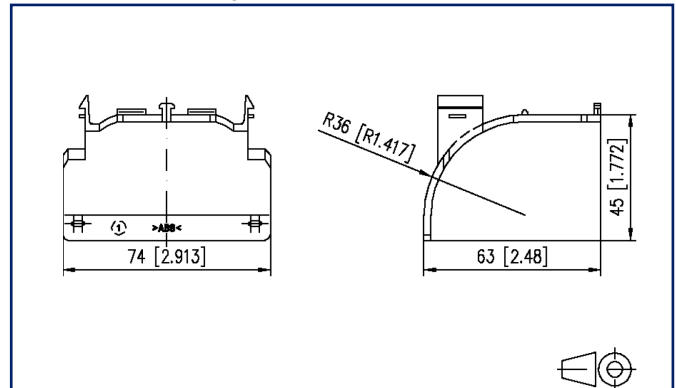
EAN 4250184109235

2023/03/30

Version: M

Illustrations

Dimensional drawing



See enlarged drawings at the end of document

Product specification

- for combination with the fiber optic wall outlet OpDAT 4 UP
- cable guide for fiber optic wall outlet to maintain minimum bending radii for fiber optic cables to TIA/EIA 568A (> 30 mm)
- in conjunction with mounting bracket for wall outlets (see accessory)
- cable feed with cable tie tension relief



P | Cabling

Data sheet

Page 2/4

OpDAT cable guide for OpDAT 4 UP

P/N

150810-I

EAN 4250184109235

2023/03/30

Version: M

Technical Data

General Data

Mechanical measurement according to MICE	M1
Ingress measurement according to MICE	I1
Climatic measurement according to MICE	C1
Electromagnetic measurement according to MICE	E3
Design	cable guide
Mounting style	Accessories
Dimensions	
Dimension (L x W x H)	45 mm x 74 mm x 65 mm
Dimension (L x W x H)	1.772 in. x 2.913 in. x 2.559 in.
Installation Height	45 mm
Installation Height	1.772 in.

Mechanical data

Mounting method	pluggable
-----------------	-----------

Materials and material properties

Material	ABS
Halogen free	yes
RoHS	compliant

Classifications

ETIM 5.0	EC000441
ETIM 6.0	EC000441
ETIM 7.0	EC000322
ETIM 8.0	EC000322
ETIM 9.0	EC000322

Packing details

Type of packaging	10 pc(s) / plastic bag
Packaging unit - Weight (gram)	158 g
Packaging unit - Weight (pound)	0.35 lb
Packaging dimension	160 mm x 100 mm x 380 mm
Packaging dimension	6.299 in. x 3.937 in. x 14.961 in.

P | Cabling

Data sheet

Page 3/4

OpDAT cable guide for OpDAT 4 UP

P/N

150810-I

EAN 4250184109235

2023/03/30

Version: M

Accessories from

P/N	Designation
1501100002-E	OpDAT 4 UP for 4xSC-S/LC-D/E2-S/ST
1501103102-E	OpDAT 4 UP 4xST SM+MM
1501105002-E	OpDAT 4 UP for 2xSC-Duplex/LC-Quad/ST-Duplex
1501105201-E	OpDAT 4 UP 2xSC-D MM (ceramic) pearl white
1501107302-E	OpDAT 4 UP 2xLC-D OM2
150110C202-E	OpDAT 4 UP 2xSC-D MM

P | Cabling

Data sheet

OpDAT cable guide for OpDAT 4 UP

Page 4/4

P/N
150810-I

EAN 4250184109235

2023/03/30

Version: M

Illustrations

Dimensional drawing

